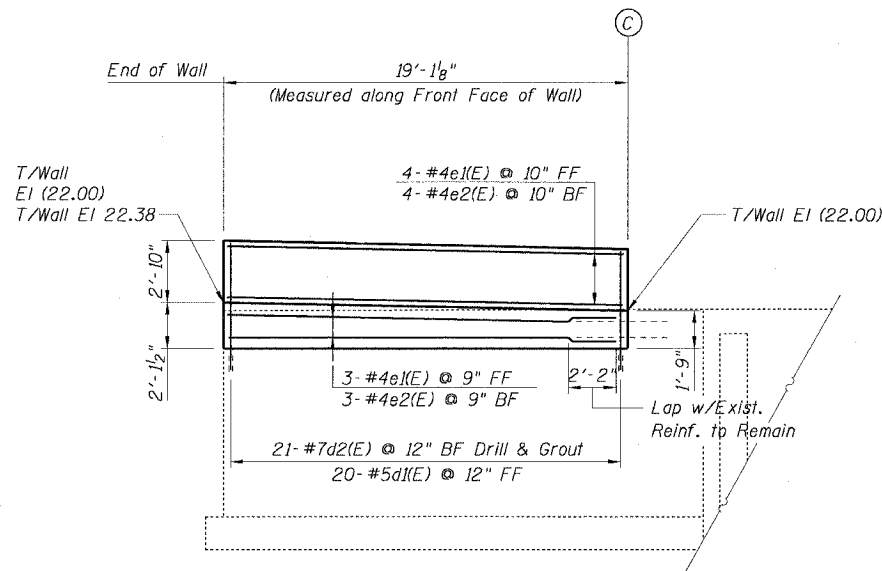
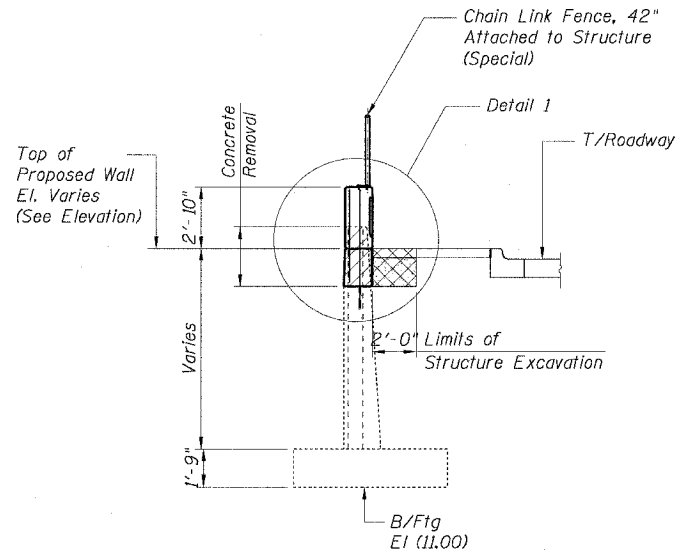


STATE OF ILLINOIS  
DEPARTMENT OF TRANSPORTATION

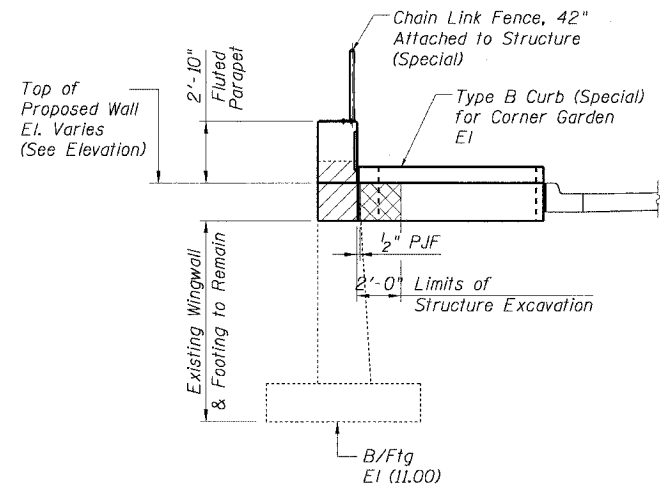
F.A.I. RTE.	SECTION	COUNTY	TOTAL SHEETS	SHEET NO.
90/94	2021-922PT.1-AC	COOK	460	337
STA.	TO STA.			
FED. ROAD DIST. NO. 1	ILLINOIS	FED. AID PROJECT	62693	



ELEVATION C-C

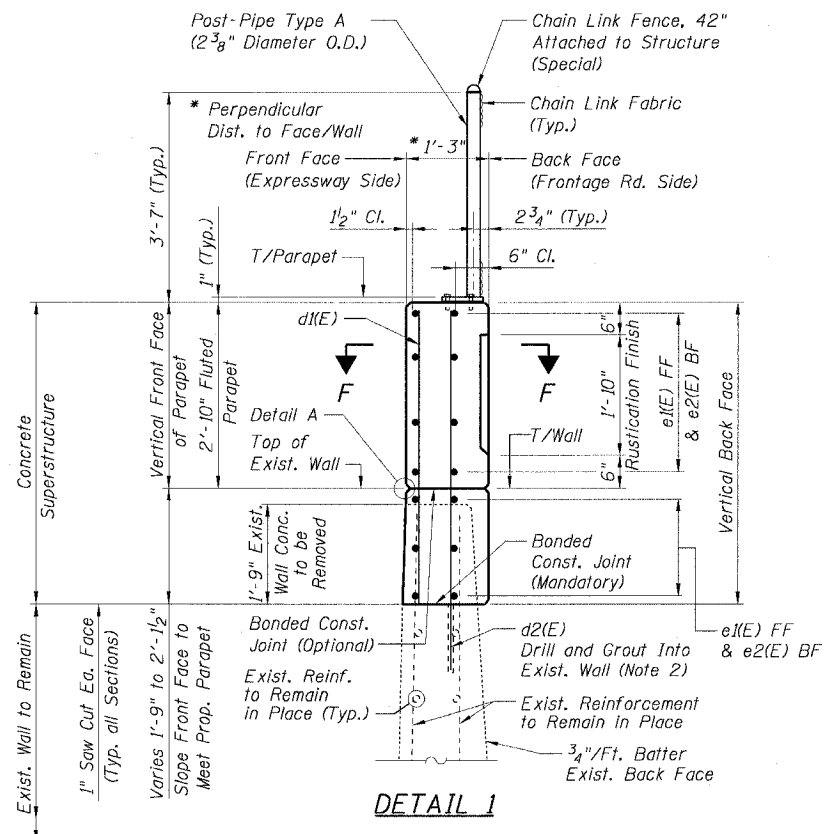


SECTION D-D



SECTION E-E

@ S. Wentworth Ave.



DETAIL 1

LEGEND:

- Structure Excavation
- Porous Granular Embankment
- Concrete Removal

NOTES:

1. Contractor to verify location of existing reinforcement before drilling holes for new dowel bars.
2. Drill & Grout d2(E) Bars in 1/8" Dia. drilled holes with a minimum depth of 1'-3", according to Article 584 of the Standard Specifications. (Cast included with Reinforcement Bars, Epoxy Coated)
3. Existing Elevations to be field verified.
4. For Section F-F & Detail A see Sheet CGb3.
5. For Chain Link Fence, Special details, see Sheet SD1.
6. Work Sheets CGb1 thru CGb3 together.

REVISIONS	
NAME	DATE

CGb2 OF 3

ILLINOIS DEPARTMENT OF TRANSPORTATION  
F.A.I. 90/94 (DAN RYAN EXPRESSWAY)  
SECTIONS AND DETAILS  
NORTHEAST CORNER GARDEN  
SOUTH WENTWORTH AVE. AT WEST 63rd STREET  
SECTION 2021-922 PT.1-AC  
STATION 104+85.35 TO 105+01.03  
COOK COUNTY

SCALE: None  
DATE: October 29, 2004

DRAWN BY: CHD  
CHECKED BY: DC

10/27/2004 02:35:03 PM