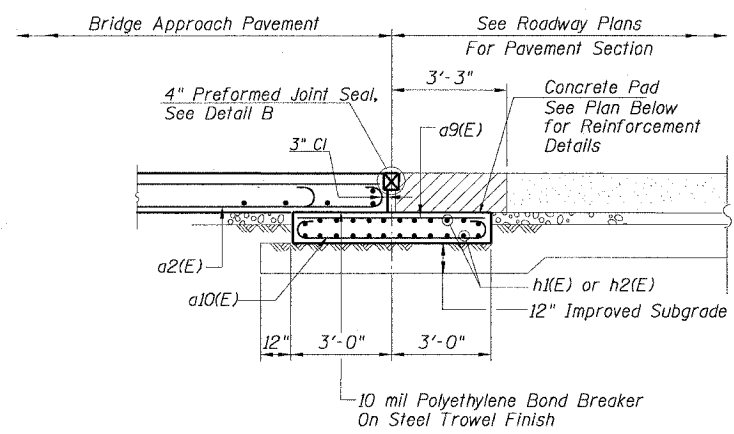


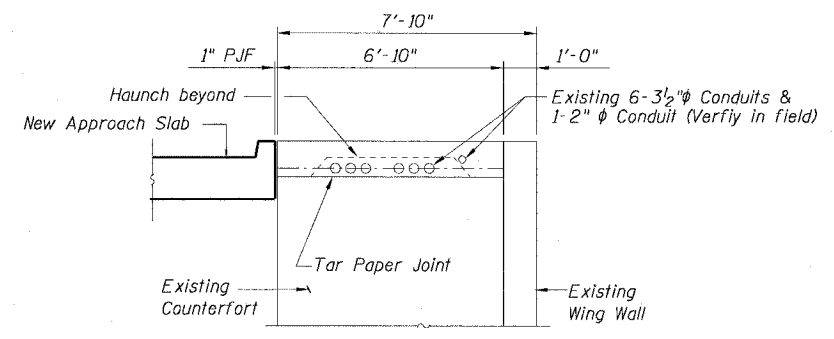
STATE OF ILLINOIS
DEPARTMENT OF TRANSPORTATION

F.A.I. RTE.	SECTION	COUNTY	TOTAL SHEETS	SHEET NO.
90/94	2021-922PT.1-AC	COOK	460	344
STA.	TO STA.			
FED. ROAD DIST. NO. 1	ILLINOIS	FED. AID PROJECT		

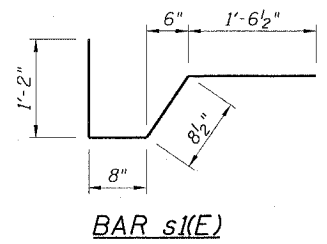
62693



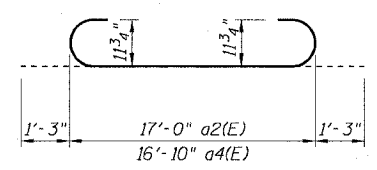
SECTION C-C



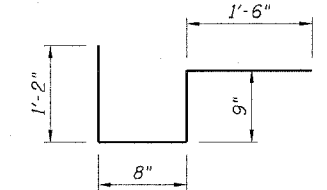
SECTION D-D



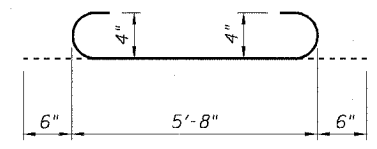
BAR s1(E)



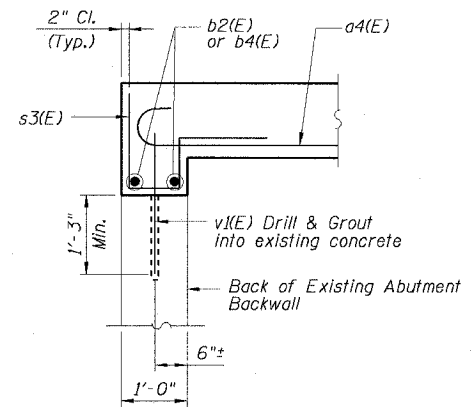
BAR a2(E) & a4(E)



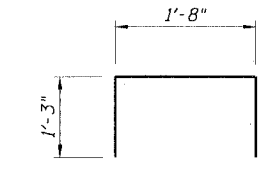
BAR s3(E)



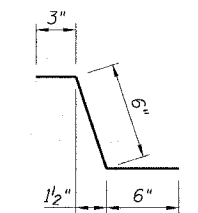
BAR a10(E)



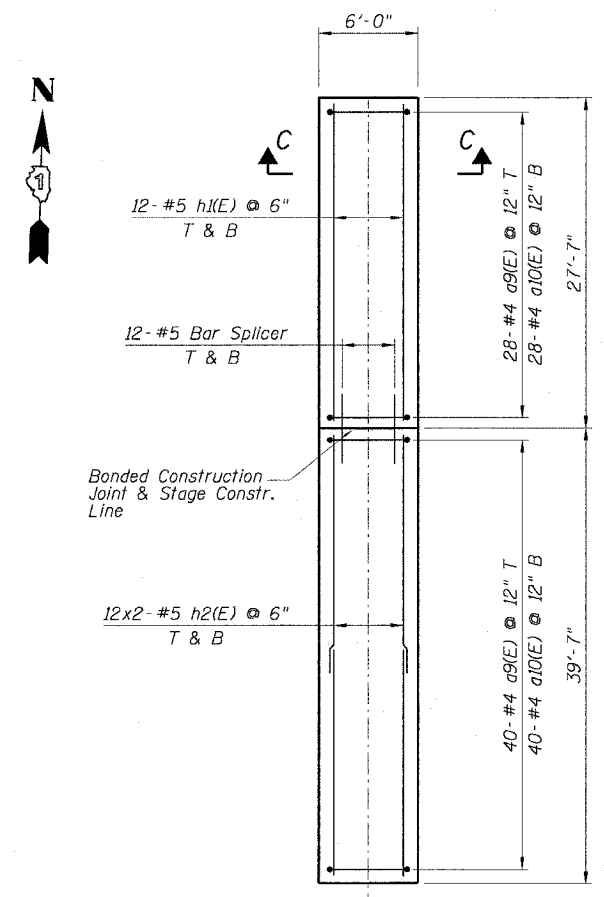
DETAIL C



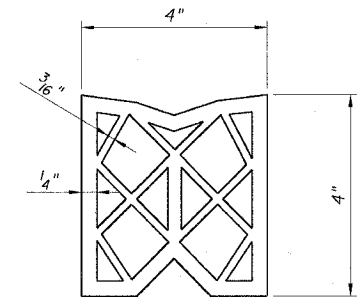
BAR d1(E)



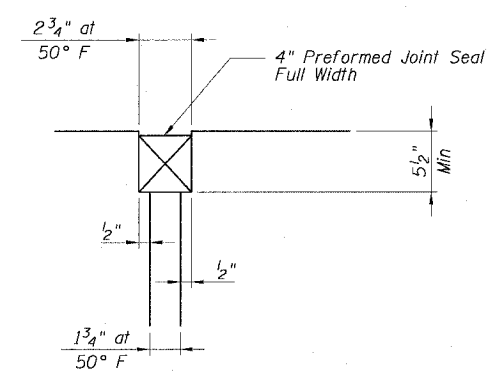
BAR c1(E)



APPROACH CONCRETE PAD-PLAN



PREFORMED JOINT SEAL



DETAIL B

BILL OF MATERIAL

Bar	No.	Size	Length	Shape
a1(E)	68	#5	19'-8"	—
a2(E)	134	#9	19'-6"	—
a3(E)	68	#5	22'-0"	—
a4(E)	134	#9	19'-4"	—
a5(E)	6	#5	22'-0"	—
a6(E)	6	#5	11'-4"	—
a9(E)	68	#4	5'-8"	—
a10(E)	68	#4	6'-8"	—
b1(E)	12	#4	27'-3"	—
b2(E)	46	#5	27'-3"	—
b3(E)	24	#4	20'-6"	—
b4(E)	92	#5	20'-9"	—
c1(E)	88	#4	1'-3"	—
d1(E)	32	#4	4'-2"	—
h1(E)	24	#5	27'-3"	—
h2(E)	48	#5	20'-9"	—
s1(E)	136	#5	4'-1"	—
s3(E)	68	#5	4'-1"	—
v1(E)	68	#4	2'-3"	—
ITEM	UNIT	Quantity		
Bridge Approach Pavement, Special	Sq Yd	299		
Protective Coat	Sq Yd	308		
Concrete Superstructure	Cu Yd	1.5		
Reinforcement Bars, Epoxy Coated	Pound	28120		
Bar Splicers	Each	82		

NOTES:

1. Approach pavement within the pay limits identified in the plan will be paid for as "Bridge Approach Pavement, Special" in accordance with the Standard Specifications.
2. See Sheet 4 for bar splicer details.
3. For Location of Section D-D, See Sheet 1.
4. For location of Detail C, See Sheet 2.

REVISIONS	
NAME	DATE

Sheet 3 of 4
ILLINOIS DEPARTMENT OF TRANSPORTATION
F.A.I. 90/94 (DAN RYAN EXPRESSWAY)
EAST APPROACH PAVEMENT
PLAN AND SECTIONS
63rd STREET OVER FAI 90/94 DAN RYAN EXPWY
SECTION (2021-922 PT. 1, 2 & 2122-921 PT. 1)R-4
COOK COUNTY
STRUCTURE NUMBER 016-1149
SCALE: NONE DRAWN BY: RJ/DC
DATE: October 29, 2004 CHECKED BY: MM