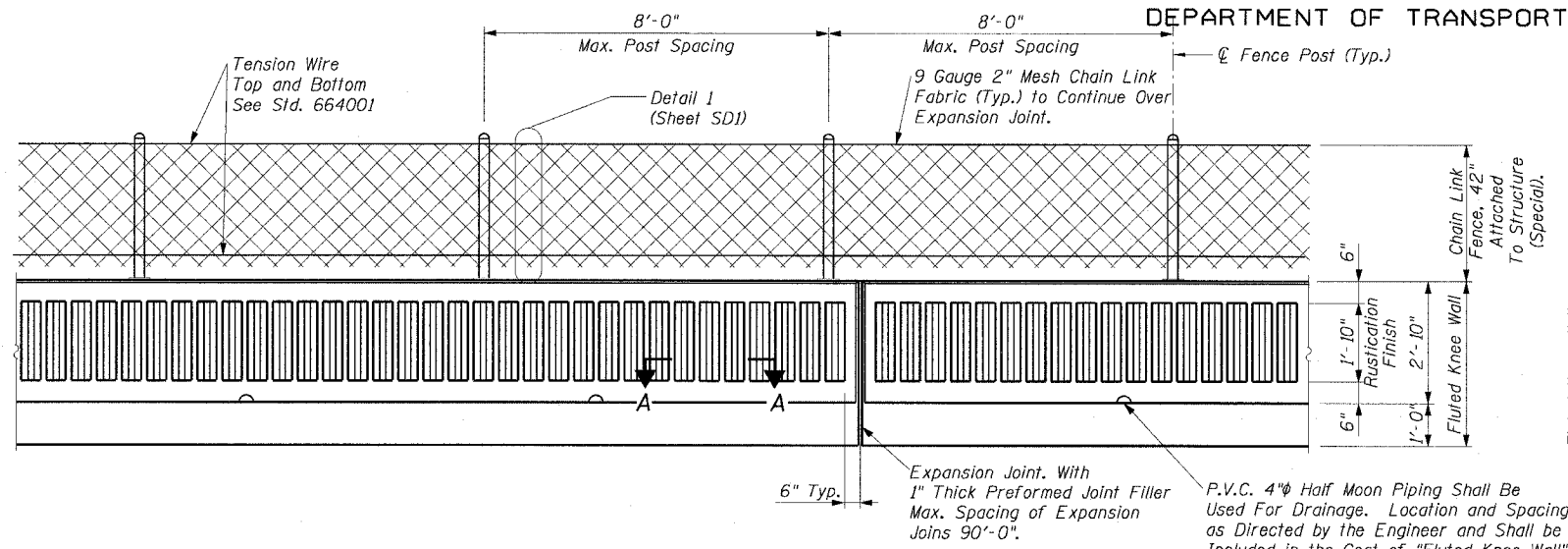


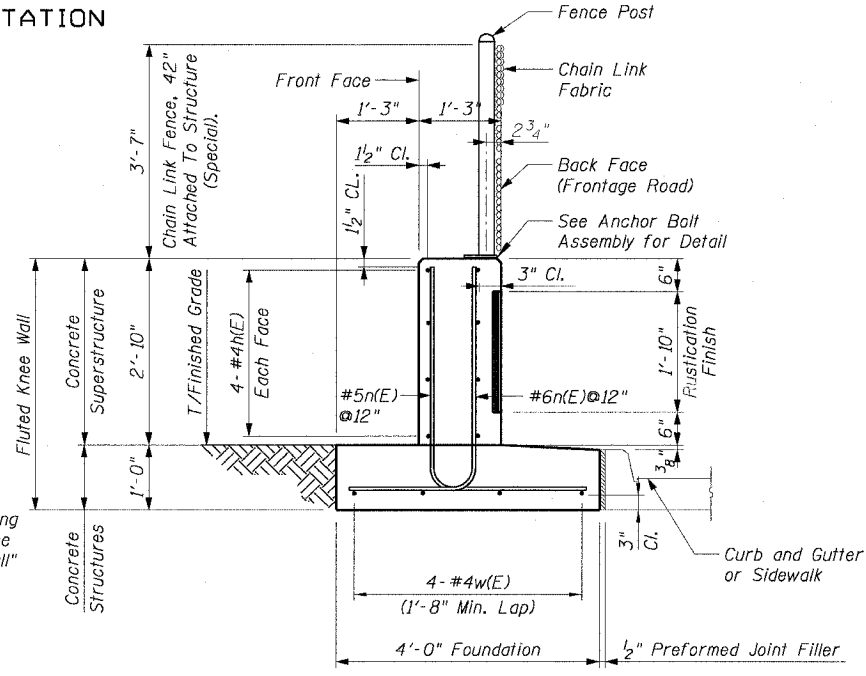
STATE OF ILLINOIS
DEPARTMENT OF TRANSPORTATION

F.A.I. RTE.	SECTION	COUNTY	TOTAL SHEETS	SHEET NO.
90/94	2021-922PT.1-AC	COOK	460	353
STA.	TO STA.			
FED. ROAD DIST. NO. 1	ILLINOIS	FED. AID PROJECT		

62693

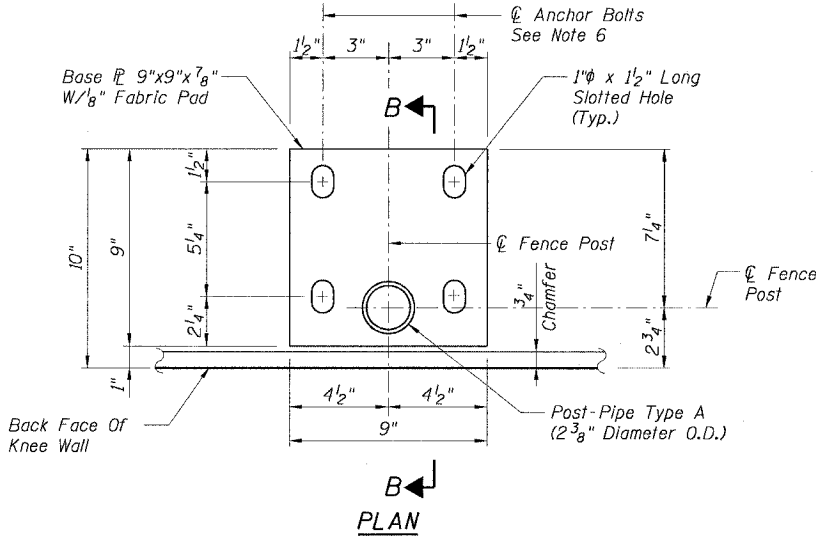


BACK FACE ELEVATION - FLUTED KNEE WALL AND CHAIN LINK FENCE

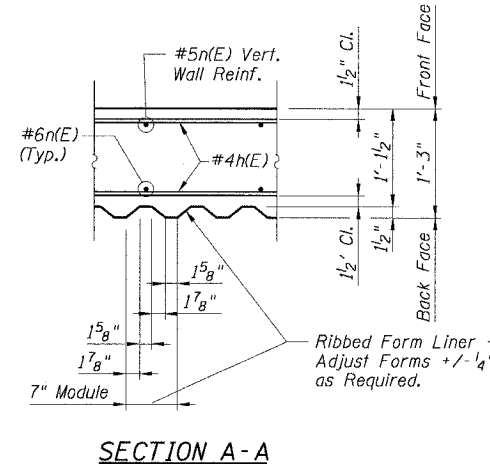


TYPICAL SECTION
FLUTED KNEE WALL

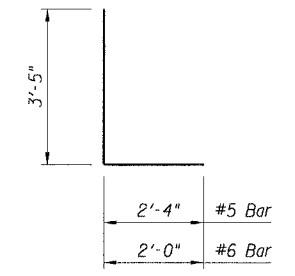
- NOTES:**
- Reinforcement Bar Shall Conform to the Requirements of AASHTO M-31 or M-322 Grade 60.
 - Concrete: $f'c = 3500$ psi
 - Fluted Knee Wall With Top Mounted Fence Shall be Paid for per Foot Under the Two Pay Items "Fluted Knee Wall" and "Chain Link Fence, 42" Attached To Structure (Special)."
 - "Fluted Knee Wall" Shall Include "Concrete Superstructures" Stem, "Concrete Structures" Foundation, Reinforcement Bars (Epoxy Coated), Protective Coat, Expansion Joint Filler and "Structure Excavation" for the Foundation.
 - At Locations Where Fluted Knee Wall Abuts a Rigid Structure, a 1/2" Thick Preformed Expansion Joint Filler Conforming to the Shape of the Structure Shall be Installed Between the Wall and the Structure.
 - Anchor Bolts:
In lieu of the Cast in Place Anchor Bolt Assembly Shown, the Contractor Has the Option of Drilling and Grouting 5/8" Diameter Galvanized Anchor Rods with Hex Nuts and 1/4" Diameter Washers. Embedment Shall be According to Adhesive Anchor Manufacturers Specifications. Weld Nuts to Anchor Bolt After Installation. Cost of Chain Link Fence, 42" Attached to Structure (Special).
 - For Additional Chain Link Fence Details See Std. 664001.
 - Quantities shown in "BILL OF MATERIAL" are for one (1) foot of "Fluted Knee Wall".



PLAN

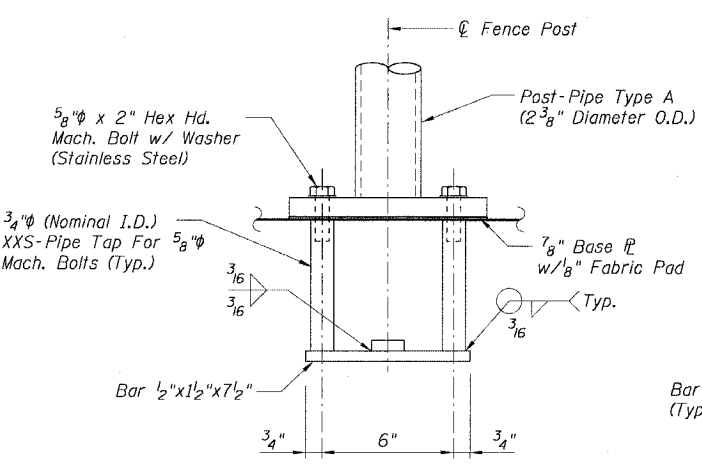


SECTION A-A

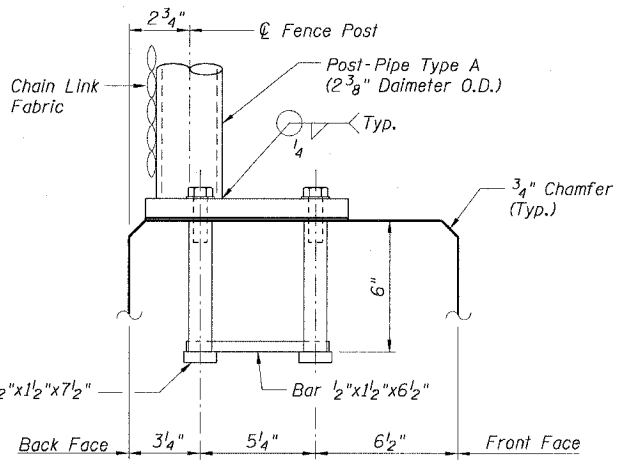


n(E) BAR

- LEGEND:**
- (C) Construction Joint
 - (E) Expansion Joint
 - Chain Link Fabric
 - Rustication Finish
 - Earth



ELEVATION



SECTION B-B

ANCHOR BOLT ASSEMBLY DETAILS

QUANTITIES PER FOOT - FLUTED KNEE WALL		
ITEM	UNIT	QUANTITY
Reinforcement Bars, Epoxy Coated	Pound	23
Concrete Superstructure	Cu. Yd.	0.14
Concrete Structures	Cu. Yd.	0.15
Structure Excavation	Cu. Yd.	0.30

REVISIONS	
NAME	DATE

SHEET SDB of 8

ILLINOIS DEPARTMENT OF TRANSPORTATION
F.A.I. 90/94 (DAN RYAN EXPRESSWAY)
TYPICAL SECTIONS, ELEVATIONS AND DETAILS
FLUTED KNEE WALL
WEST 69TH STREET TO WEST 47TH STREET
COOK COUNTY

SCALE: None
DATE: October 29, 2004

DRAWN BY: RSB
CHECKED BY: RS

11/23/2004 08:32:52 AM I:\P\46B Struct\47wp\Standard_Details\SD8_Fluted Knee Wall_Fence.dgn