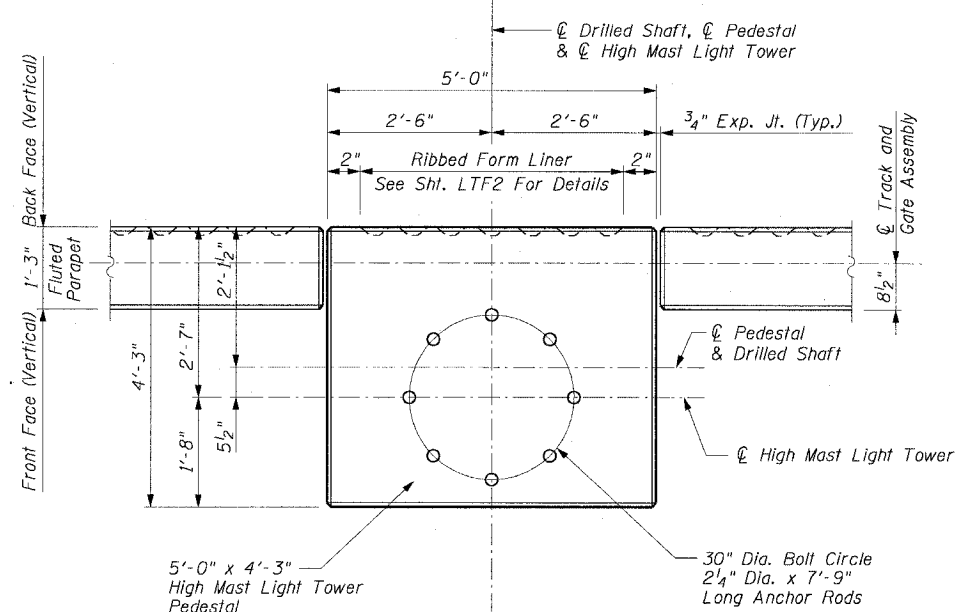


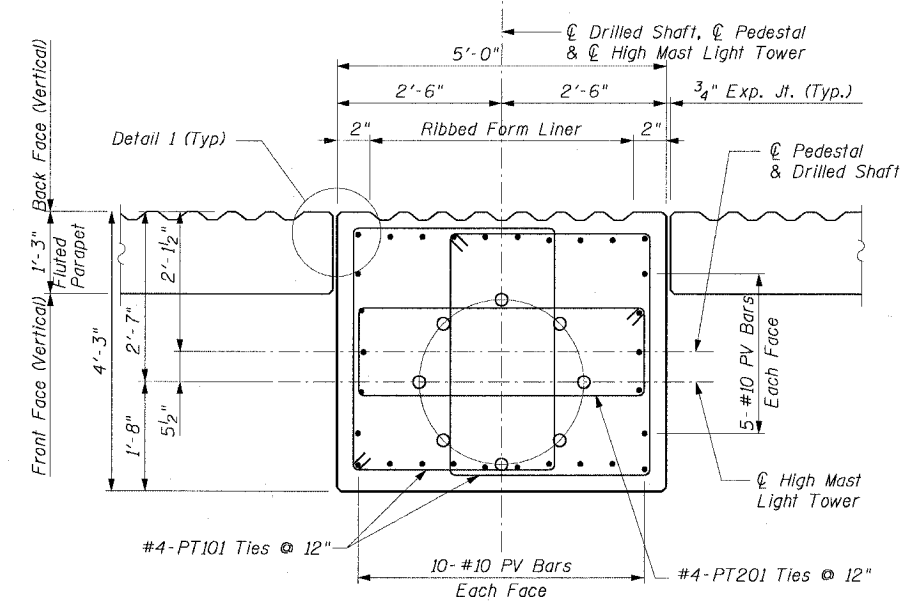
STATE OF ILLINOIS  
DEPARTMENT OF TRANSPORTATION

F.A.I. RTE.	SECTION	COUNTY	TOTAL SHEETS	SHEET NO.
90/94	2021-922PT.1-AC	COOK	460	356
STA.	TO STA.			
FED. ROAD DIST. NO. 1	ILLINOIS	FED. AID PROJECT		

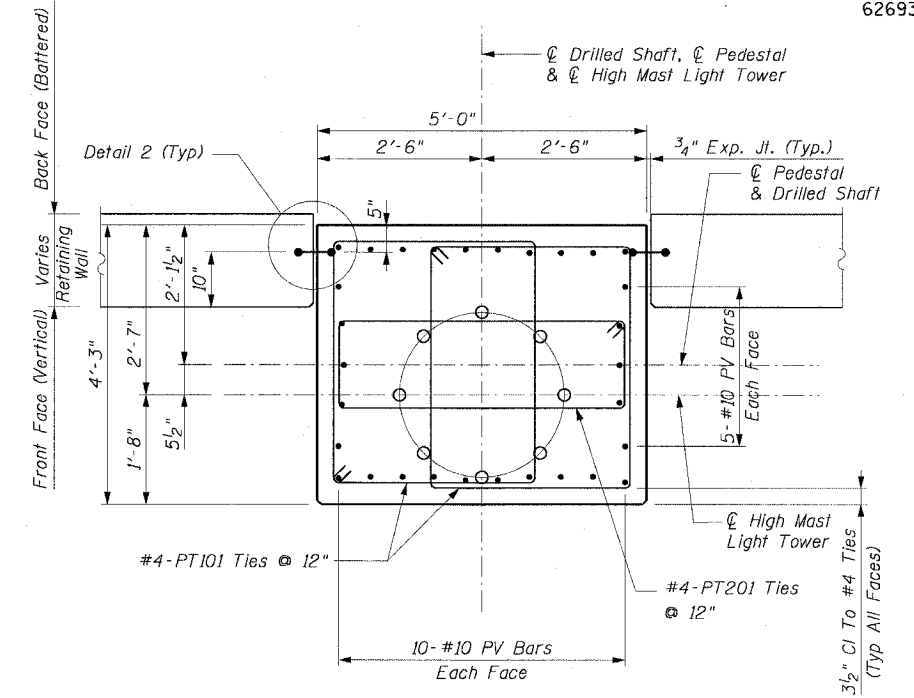
62693



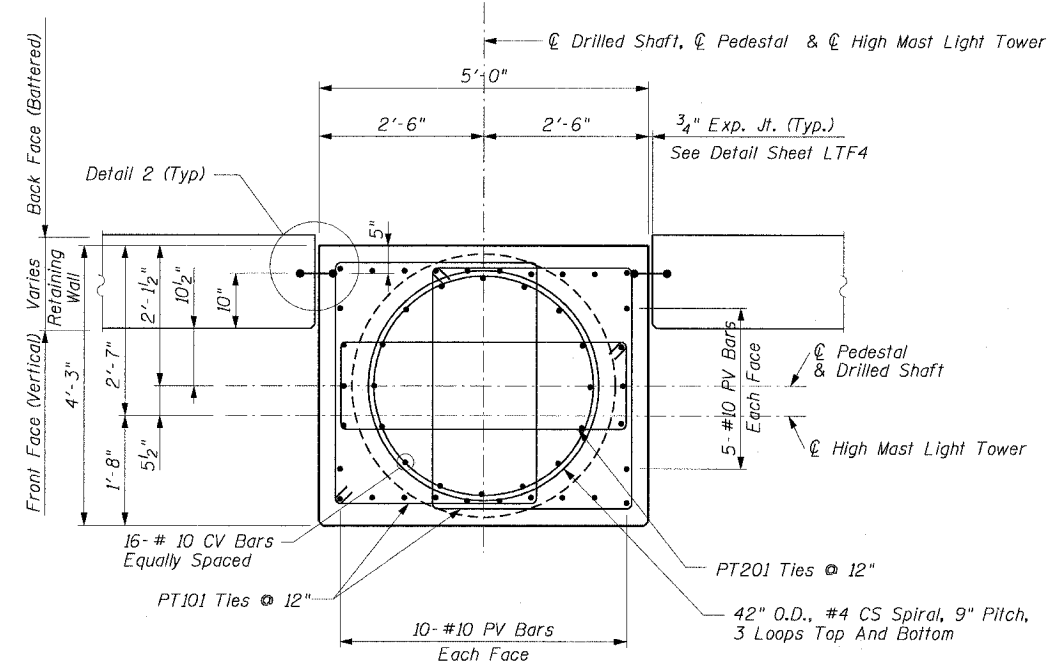
TOP PLAN



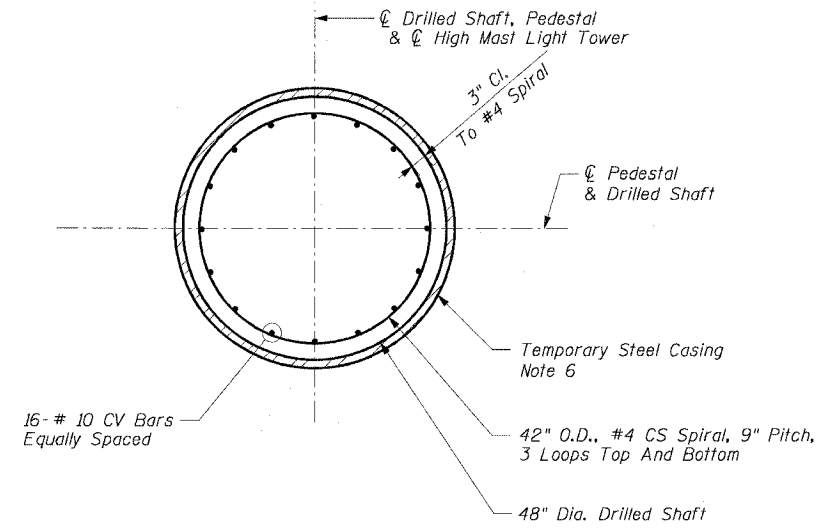
SECTION A-A  
TOP OF FLUTED PARAPET TO TOP OF WALL



SECTION B-B  
TOP OF WALL TO  
BOTTOM OF 2 1/4" DIA. ANCHOR RODS



SECTION C-C  
BOTT OF 2 1/4" DIA. ANCHOR RODS  
TO TOP OF DRILLED SHAFT



SECTION D-D  
DRILLED SHAFT

NOTES:

- For Pedestal And Drilled Shaft Schedule See Sheet LTF1.
- For Reinforcement Details See Sht. LTF1.
- For Bill Of Material See Sht. LTF1.
- For Location Of Sections A-A, B-B, C-C And D-D See Sht. LTF2.
- All Faces Of Pedestal To Be Vertical.
- For Details 1 And 2 See Sheet LTF4.
- For Notes 1 Through 13 See Sheet LTF1.
- 4-4" Dia. Raceways Are Not Shown For Clarity.

REVISIONS	
NAME	DATE

SHEET LTF3 of 11  
ILLINOIS DEPARTMENT OF TRANSPORTATION  
F.A.I. 90/94 (DAN RYAN EXPRESSWAY)  
TYPICAL SECTIONS  
HIGH MAST LIGHT TOWERS  
7TEF1, 7TEF3, 7TAB2 & 7TAB3  
WEST 63RD STREET TO WEST 59TH STREET  
HIGH MAST LIGHT TOWER FOUNDATIONS  
COOK COUNTY  
SCALE: None  
DATE: October 29, 2004  
DRAWN BY: ET  
CHECKED BY: RS



10/21/2004 02:49:46 PM