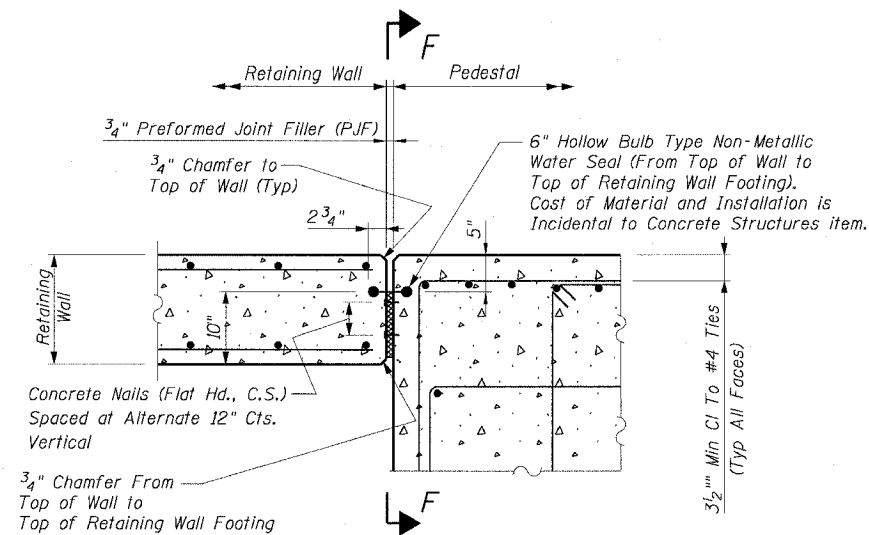
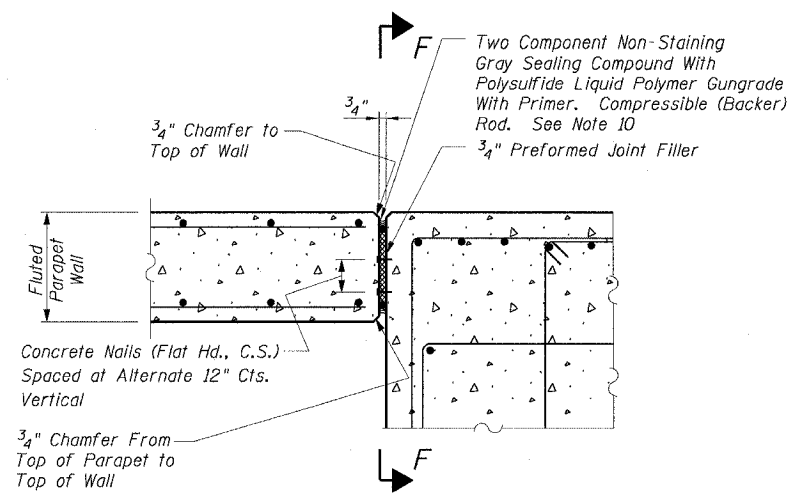
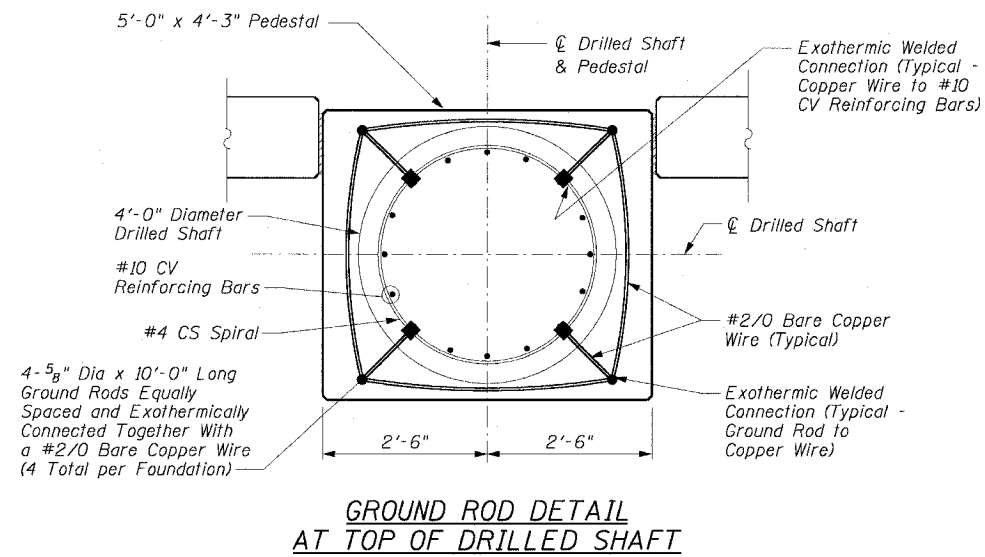
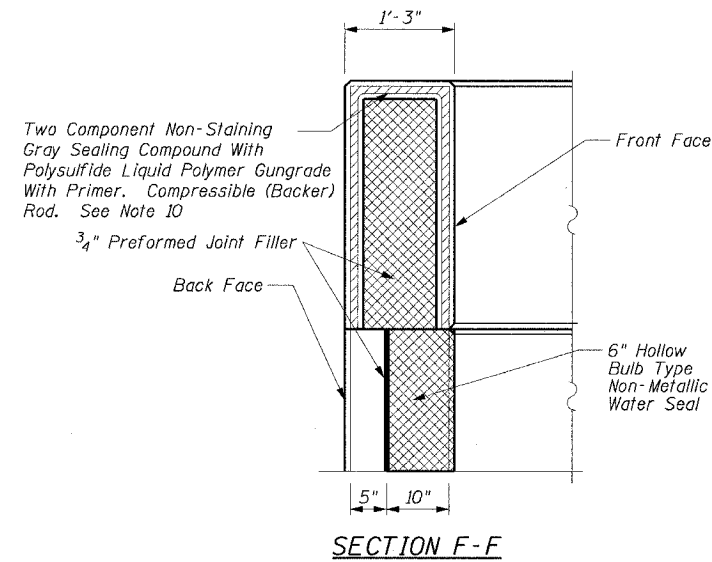


STATE OF ILLINOIS
DEPARTMENT OF TRANSPORTATION

F.A.I. RTE.	SECTION	COUNTY	TOTAL SHEETS	SHEET NO.
90/94	2021-922PT.1-AC	COOK	460	357
STA.	TO STA.			
FED. ROAD DIST. NO. 1	ILLINOIS	FED. AID PROJECT		

62693



NOTES:

For Notes 1 Through 13 See Sheet LTF1.

REVISIONS	
NAME	DATE

SHEET LTF4 of 11

ILLINOIS DEPARTMENT OF TRANSPORTATION
F.A.I. 90/94 (DAN RYAN EXPRESSWAY)
TYPICAL DETAILS
HIGH MAST LIGHT TOWERS
7TEF1, 7TEF3, 7TAB2 & 7TAB3
WEST 63RD STREET TO WEST 59TH STREET
HIGH MAST LIGHT TOWER FOUNDATIONS
COOK COUNTY

SCALE: None DRAWN BY: CD
DATE: October 29, 2004 CHECKED BY: ML