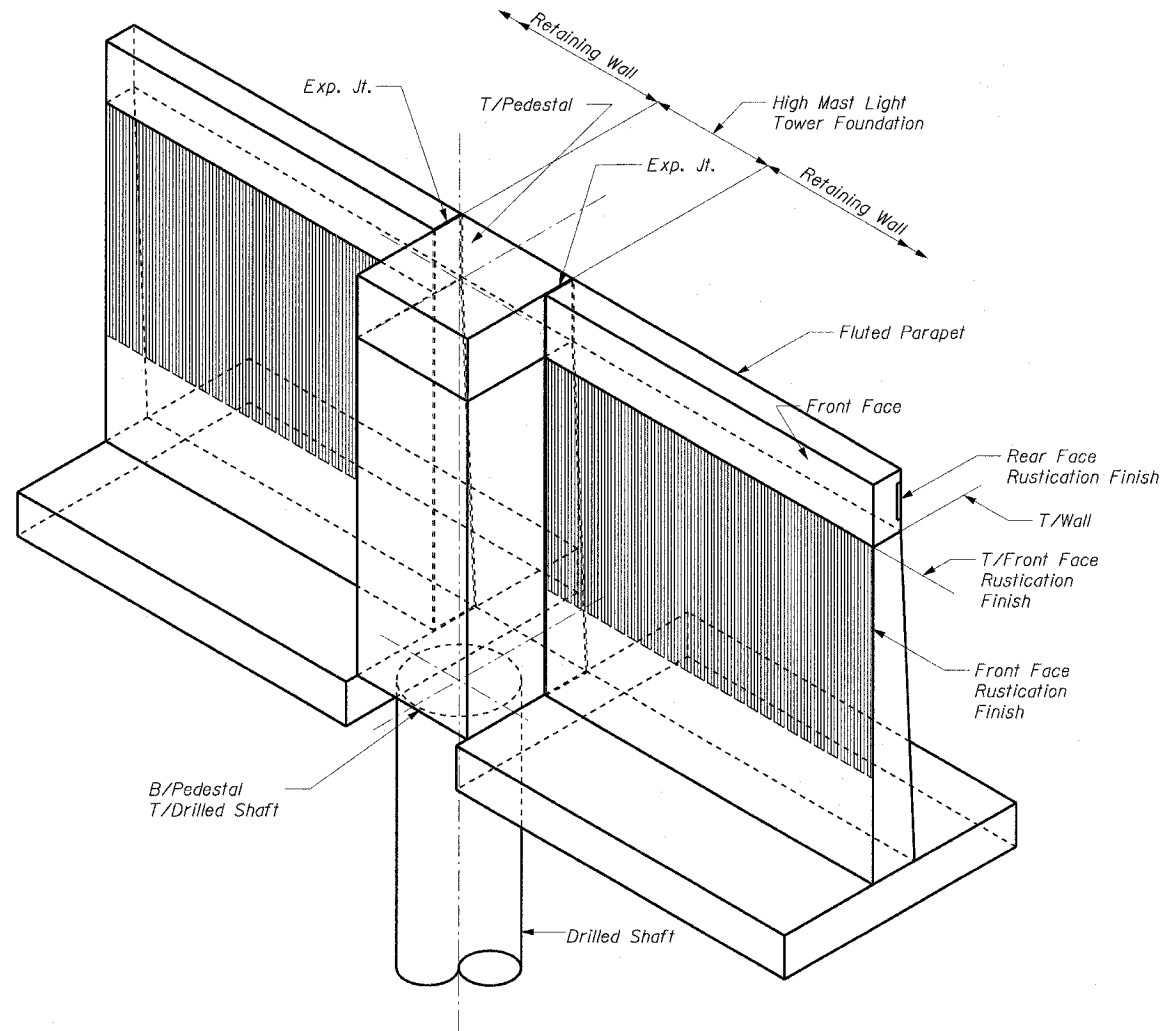


STATE OF ILLINOIS  
DEPARTMENT OF TRANSPORTATION

F.A.I. RTE.	SECTION	COUNTY	TOTAL SHEETS	SHEET NO.
90/94	2021-922PT.1-AC	COOK	460	358
STA.	TO STA.			
FED. ROAD DIST. NO. 1 ILLINOIS FED. AID PROJECT				

62693



VIEW OF HIGH MAST LIGHT TOWER FOUNDATION  
AT RETAINING WALL WITH FLUTED PARAPET  
AND RUSTICATION FINISH

**CTE ENGINEERS**  
CONSOB TOWNSEND ENVIRONMENTAL ENGINEERS, INC.  
303 EAST WACKER DRIVE, SUITE 600  
CHICAGO, ILLINOIS 60601-5202, PHONE: (312) 938-0300

REVISIONS	
NAME	DATE

SHEET LTF5 of 11  
ILLINOIS DEPARTMENT OF TRANSPORTATION  
F.A.I. 90/94 (DAN RYAN EXPRESSWAY)  
TYPICAL ARCHITECTURAL VIEW  
HIGH MAST LIGHT TOWERS  
7TEF1, 7TEF3, 7TAB2 & 7TAB3  
WEST 63RD STREET TO WEST 59TH STREET  
HIGH MAST LIGHT TOWER FOUNDATIONS  
COOK COUNTY  
SCALE: None DRAWN BY: CD  
DATE: October 29, 2004 CHECKED BY: ML

10/27/2004 02:49:47 PM