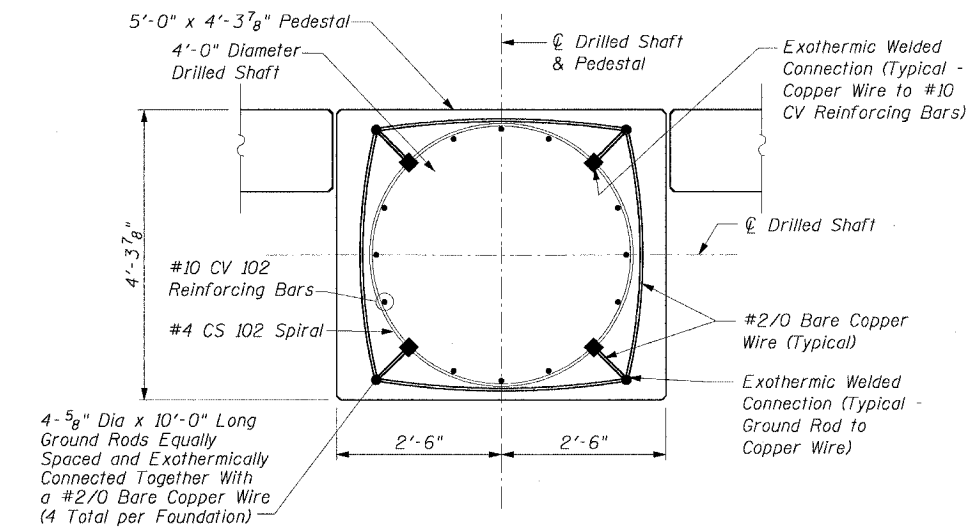
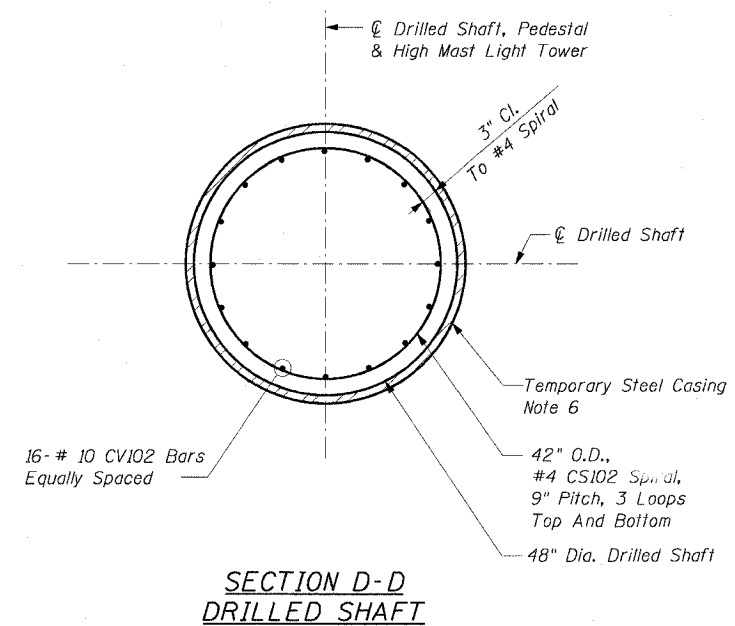
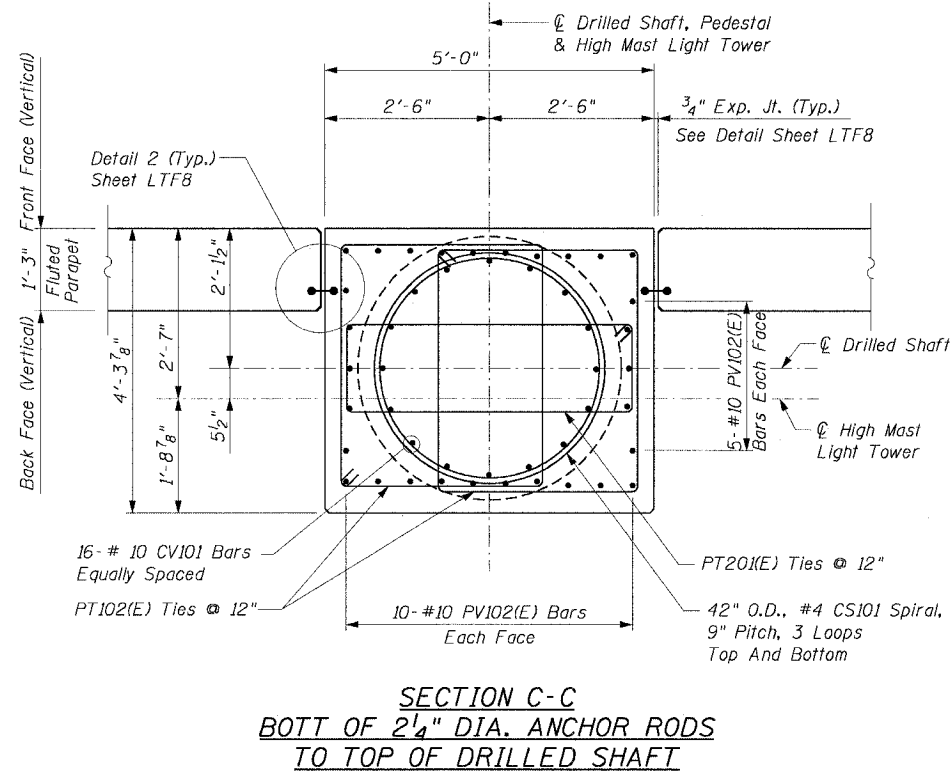
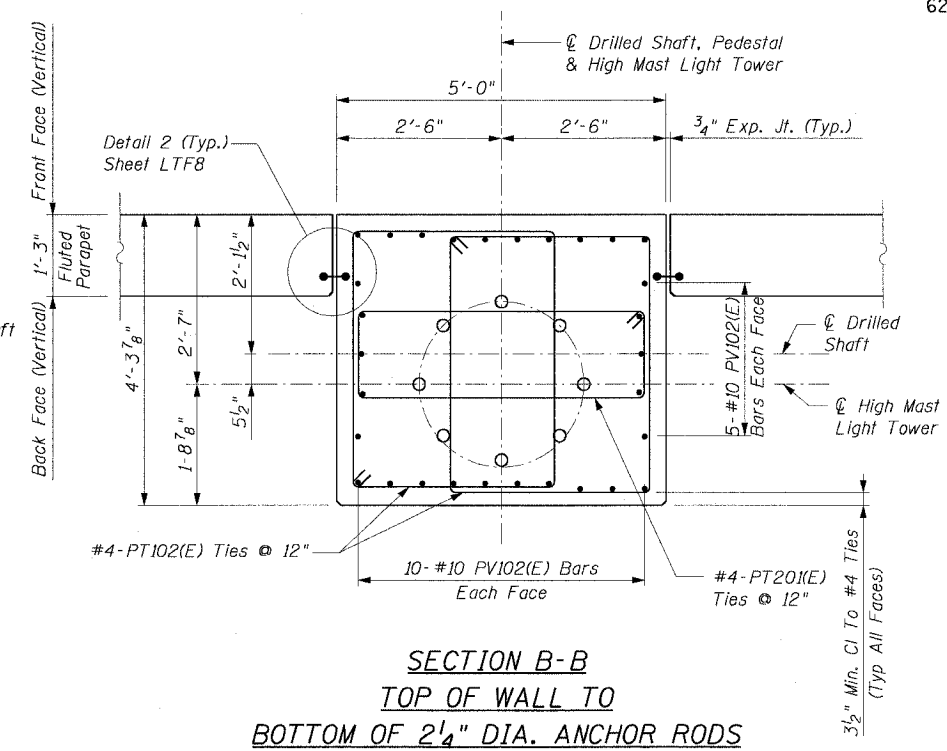
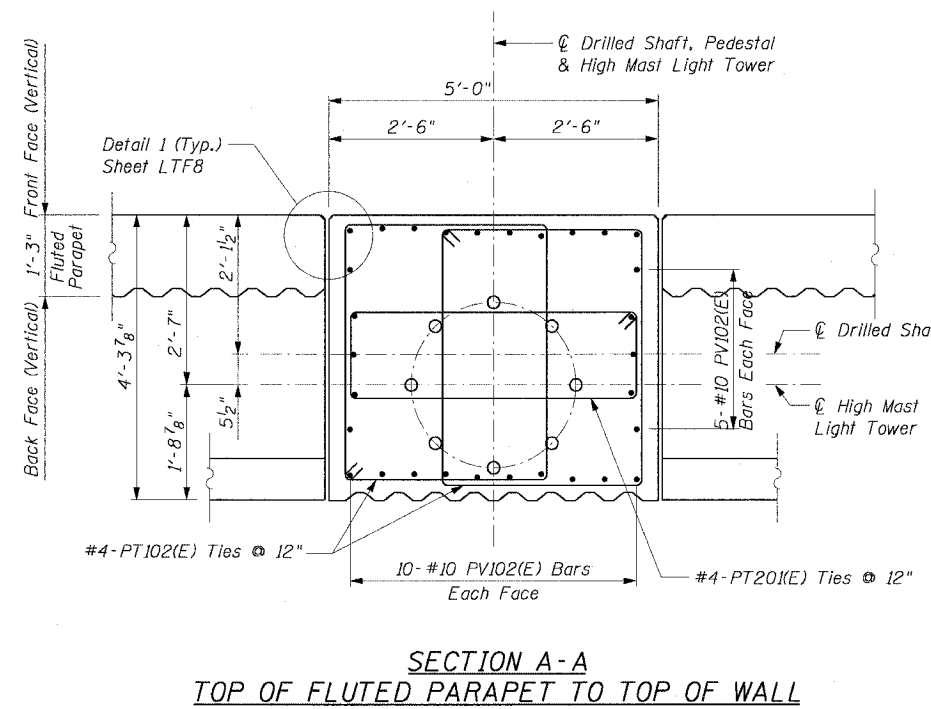
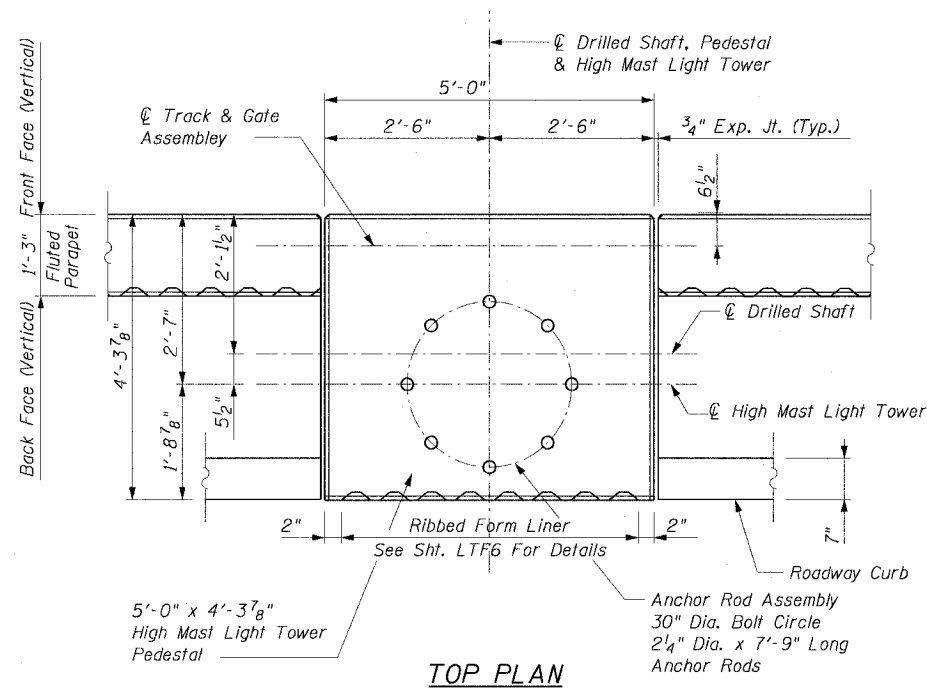


STATE OF ILLINOIS
DEPARTMENT OF TRANSPORTATION

F.A.I. RTE.	SECTION	COUNTY	TOTAL SHEETS	SHEET NO.
90/94	2021-922PT.1-AC	COOK	460	360
STA.	TO STA.			
FED. ROAD DIST. NO. 1	ILLINOIS	FED. AID PROJECT		

62693



- NOTES:**
- For Pedestal And Drilled Shaft Schedule See Sheet LTF1.
 - For Reinforcement Details See Sht. LTF1.
 - For Bill Of Material See Sht. LTF1.
 - For Location Of Sections A-A, B-B, C-C And D-D See Sht. LTF6.
 - All Faces Of Pedestal To Be Vertical.
 - For Details 1 And 2 See Sheet LTF8.
 - For Notes 1 Through 13 See Sheet LTF1.
 - 4-4" Raceways Are Not Shown For Clarity.

REVISIONS	
NAME	DATE

SHEET LTF7 of 11

ILLINOIS DEPARTMENT OF TRANSPORTATION
F.A.I. 90/94 (DAN RYAN EXPRESSWAY)
TYPICAL SECTIONS
HIGH MAST LIGHT TOWER TEF2
WEST 63RD STREET TO WEST 59TH STREET
HIGH MAST LIGHT TOWER FOUNDATIONS
COOK COUNTY

SCALE: None
DATE: October 29, 2004

DRAWN BY: CD
CHECKED BY: ML