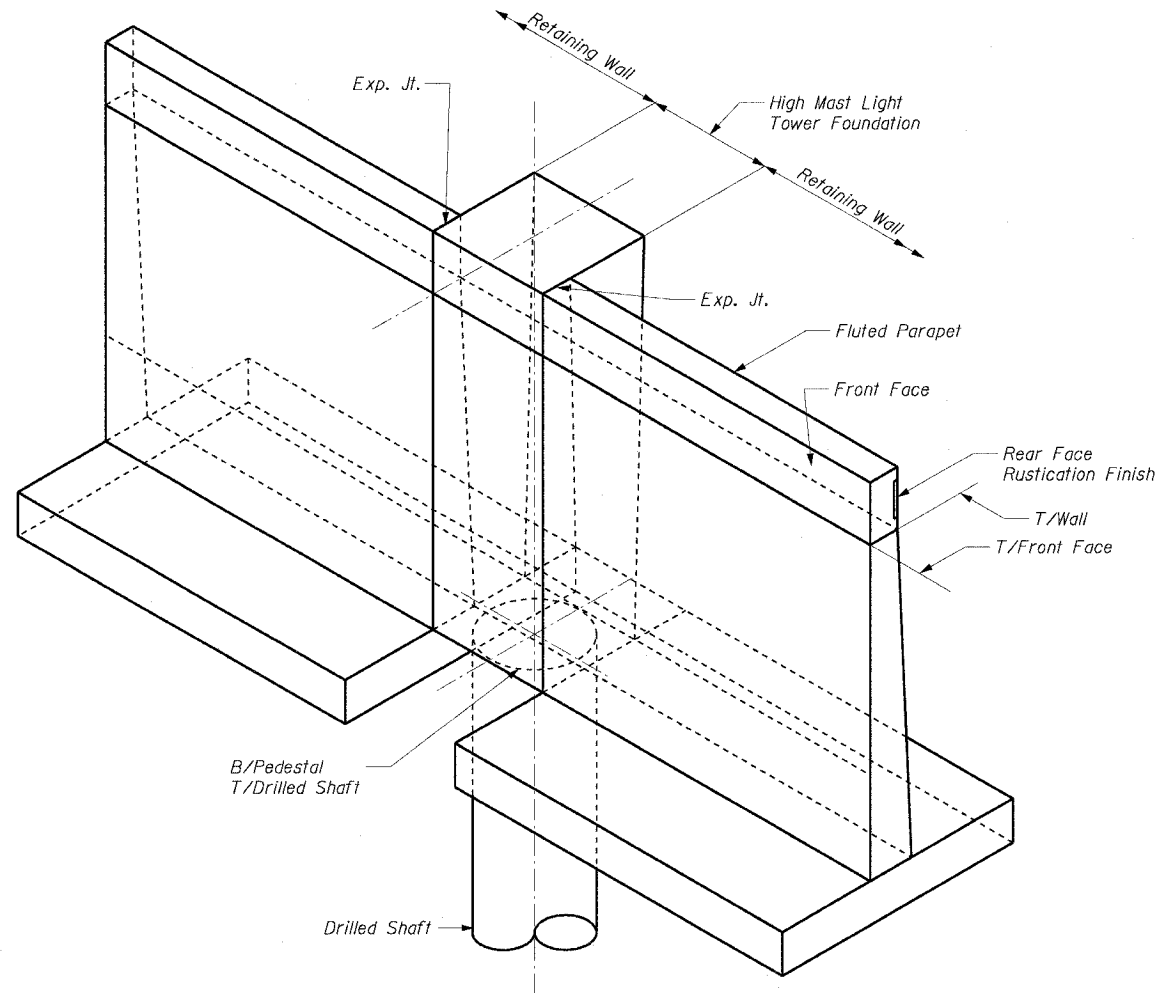
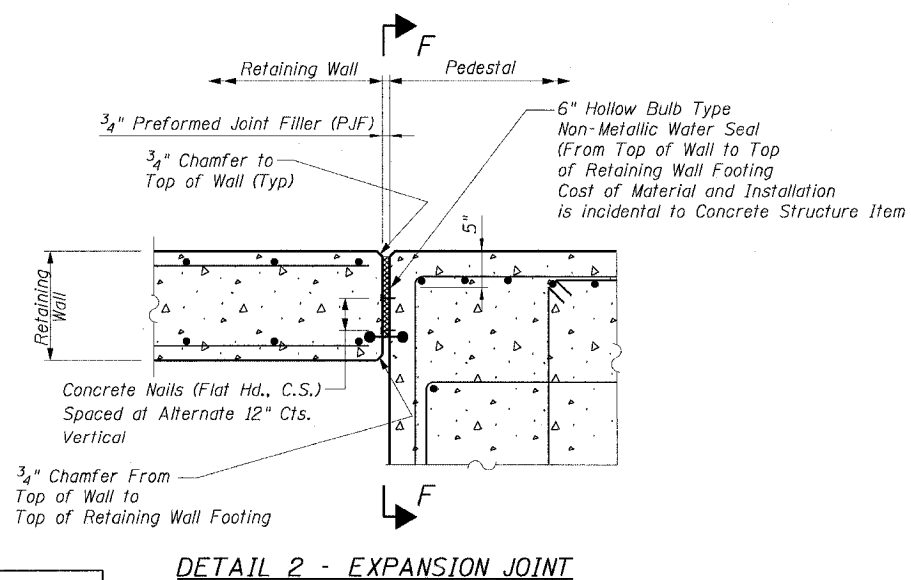
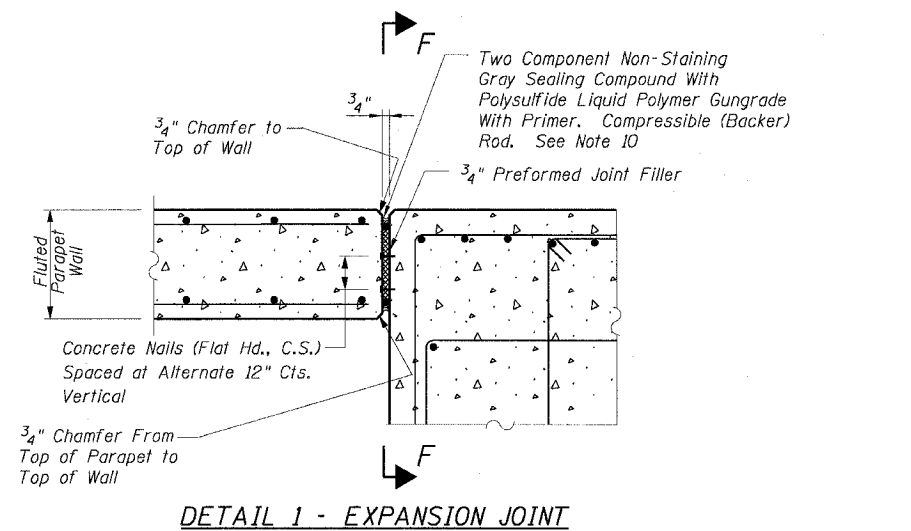
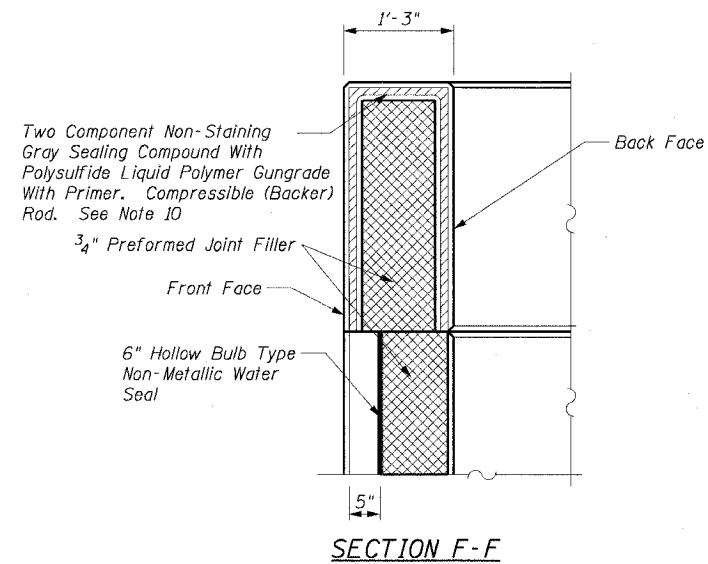


STATE OF ILLINOIS  
DEPARTMENT OF TRANSPORTATION

F.A.I. RTE.	SECTION	COUNTY	TOTAL SHEETS	SHEET NO.
90/94	2021-922PT.1-AC	COOK	460	361
STA.	TO STA.			
FED. ROAD DIST. NO. 1	ILLINOIS	FED. AID PROJECT		

62693



NOTES:

For Notes 1 Through 13 See Sheet LTF1.

SHEET LTF8 of 11

REVISIONS		ILLINOIS DEPARTMENT OF TRANSPORTATION F.A.I. 90/94 (DAN RYAN EXPRESSWAY) TYPICAL DETAILS AND ARCHITECTURAL VIEW HIGH MAST LIGHT TOWER TEF2 WEST 63RD STREET TO WEST 59TH STREET HIGH MAST LIGHT TOWER FOUNDATIONS COOK COUNTY
NAME	DATE	

SCALE: None  
DATE: October 29, 2004

DRAWN BY: CD  
CHECKED BY: ML