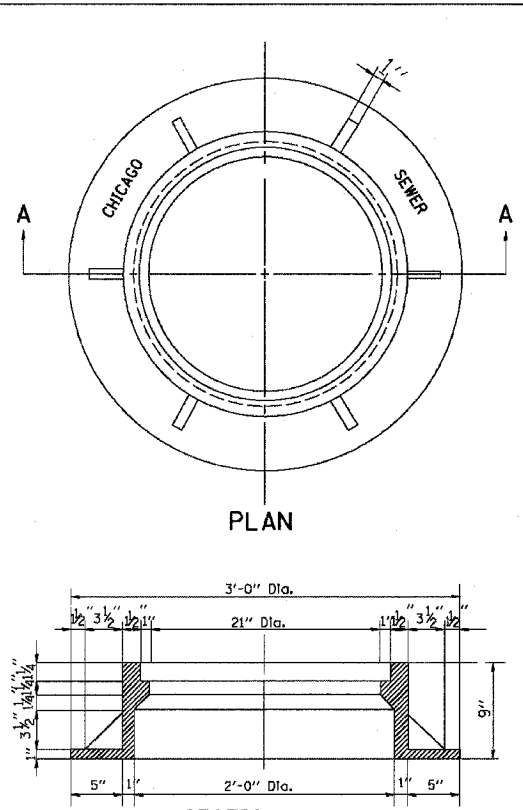
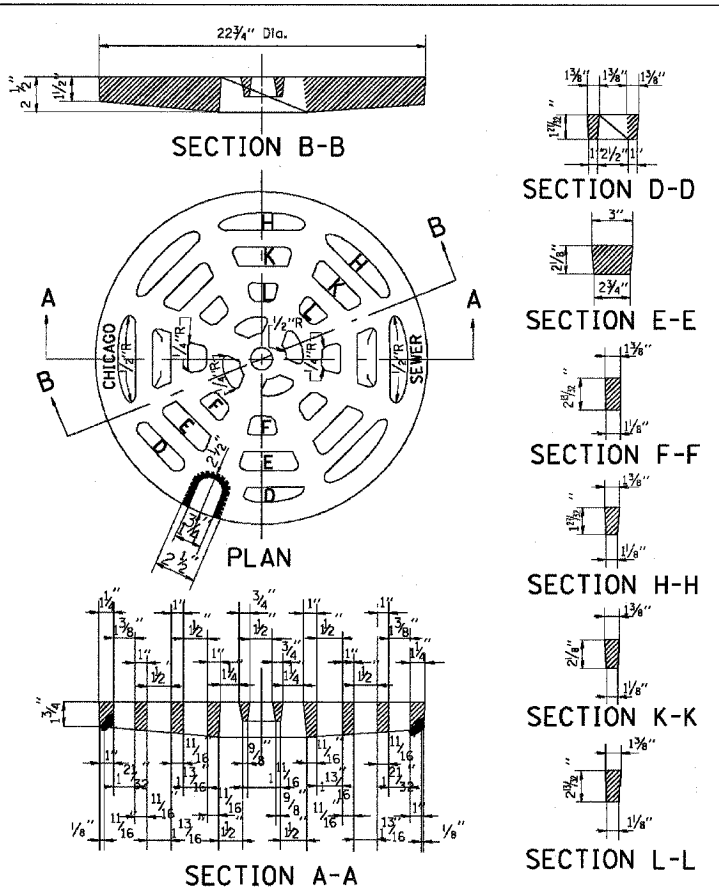


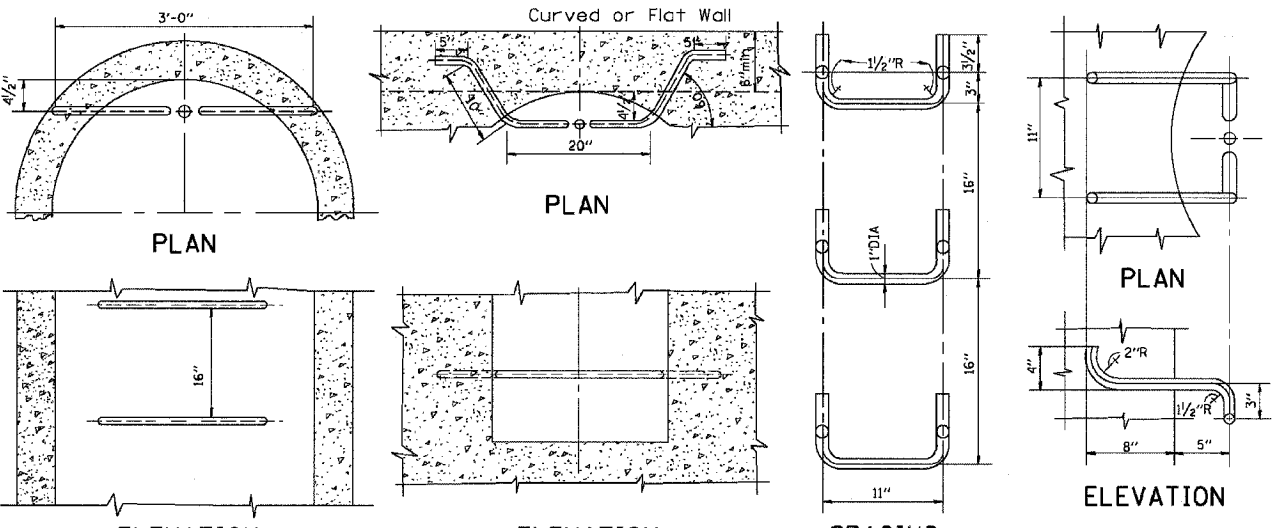
F.A. RTE.	SECTION	COUNTY	TOTAL SHEETS	SHEET NO.
9004	2021-022PT.1-AC	COOK	480	386
STA.	TO STA.			
FED. ROAD DIST. NO. 1 ILLINOIS FED. AID PROJECT				



CHICAGO STANDARD MANHOLE FRAME
 Scale: 1/2"=1'-0"
 Material: Cast Iron



PERFORATED LID FOR CATCH BASINS & MANHOLES
 Scale: 2"=1'-0"
 Material: Cast Iron

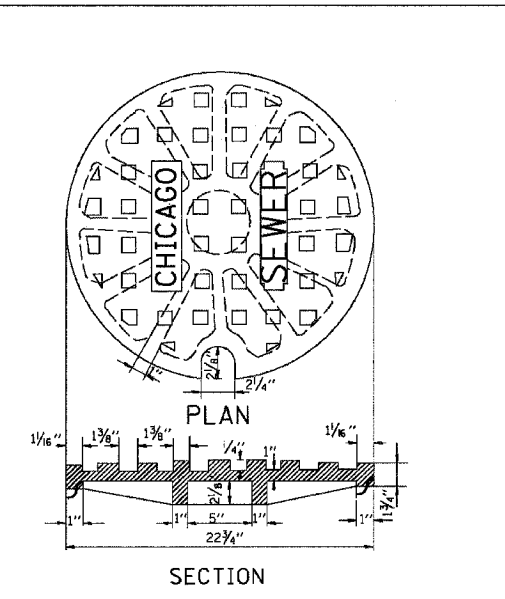


STANDARD LADDER RUNGS
 Scale: 1"=1'-0"

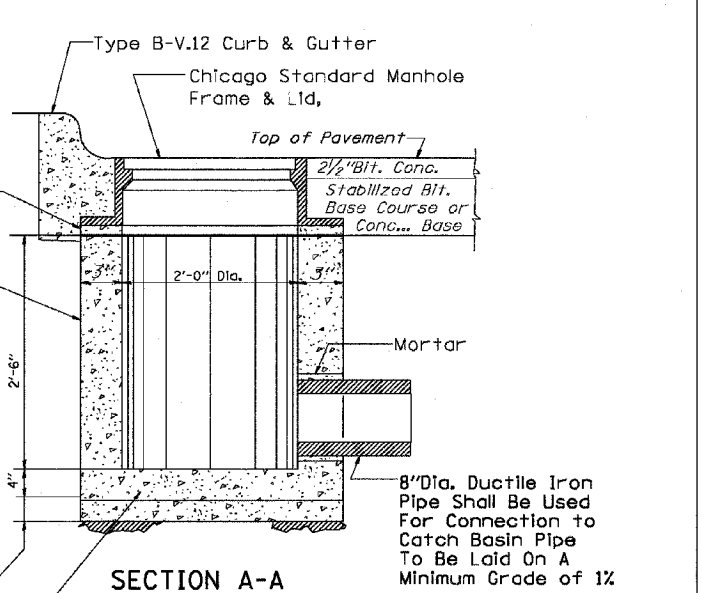
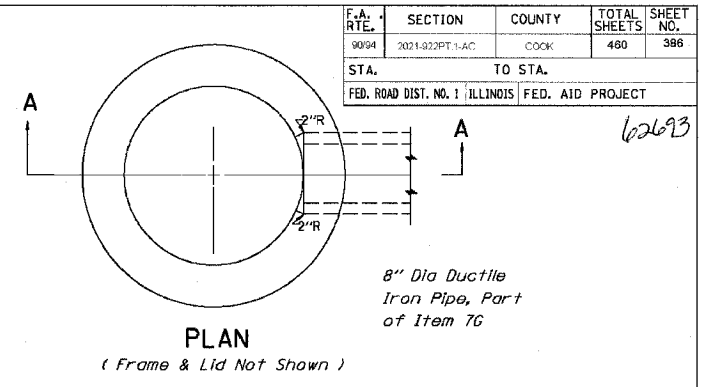
STANDARD LADDER RUNGS
 Scale: 1"=1'-0"

STANDARD LADDER RUNGS
 Scale: 1/2"=1'-0"

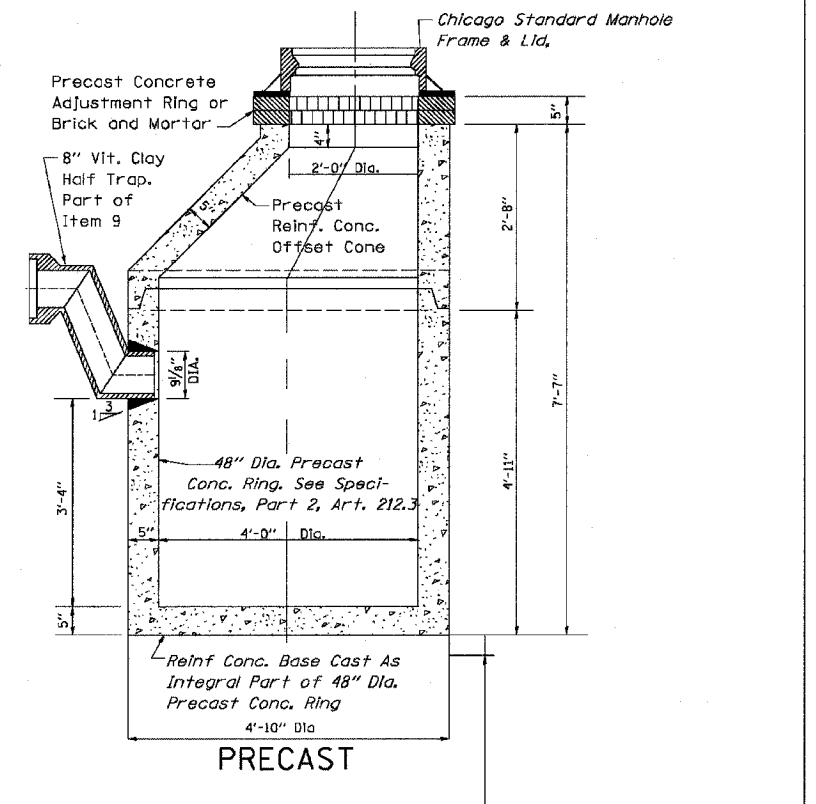
All Ladder Rungs Shall Be Aluminum or Galvanized Wrought Iron As Specified in Specifications, Part 2, Article 214.2. Rungs Shall Be 1" Diameter or of A Shape Having An Equivalent Cross-Sectional Area



SOLID LID FOR MANHOLES
 Scale: NONE
 Material: Cast Iron



SECTION A-A
 8" Dia. Ductile Iron Pipe Shall Be Used For Connection to Catch Basin Pipe To Be Laid On A Minimum Grade of 1%



STANDARD CATCH BASINS
 Scale: 3/4"=1'-0"
 Item 9

STANDARD INLETS
 Scale 1"=1'-0"
 Item 12
 This Inlet Detail Is Sometimes Referred To As "Chicago Standard Inlet, Type A"

NOTE:
 INLETS SHALL NOT BE CONSTRUCTED UNLESS IT IS IMPOSSIBLE TO CONSTRUCT A CATCH BASIN. THE CONTRACTOR SHALL HAVE THE DEPARTMENT OF SEWERS APPROVAL BEFORE CONSTRUCTING INLETS

REVISIONS	
NAME	DATE
M. GOMEZ	01/25/01

CITY OF CHICAGO
 DEPARTMENT OF SEWERS
 ENGINEERING DIVISION

ILLINOIS DEPARTMENT OF TRANSPORTATION

CITY OF CHICAGO
CATCH BASIN, INLET AND
MANHOLE DETAILS

SCALE: VERT. HORIZ. DATE 10/18/2002

DRAWN BY
 CHECKED BY
 BD600-13 (BD47)
 REVISION DATE: 01/25/01

DATE-TIME
 DGN-SPEC
 VHB047