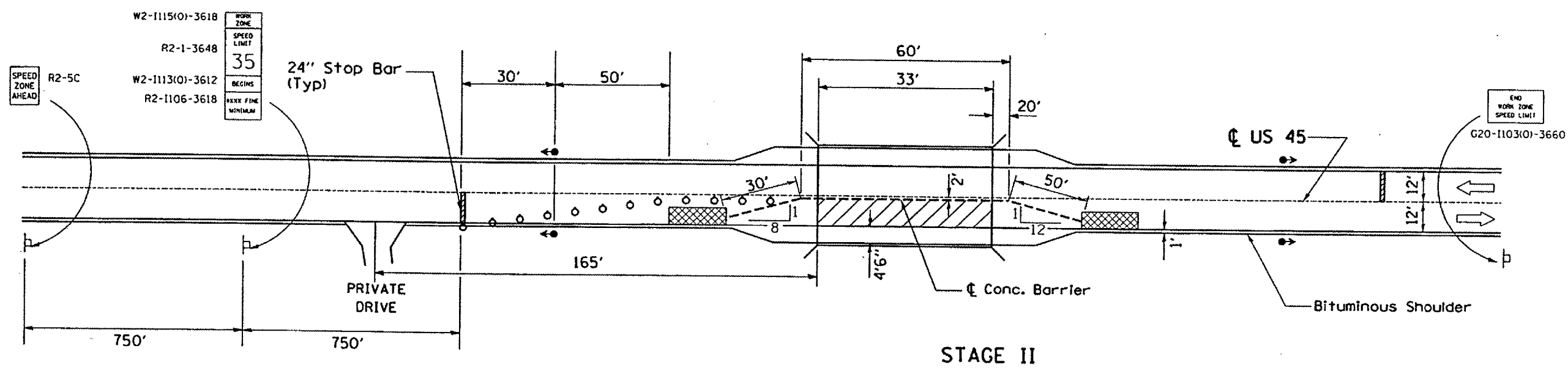
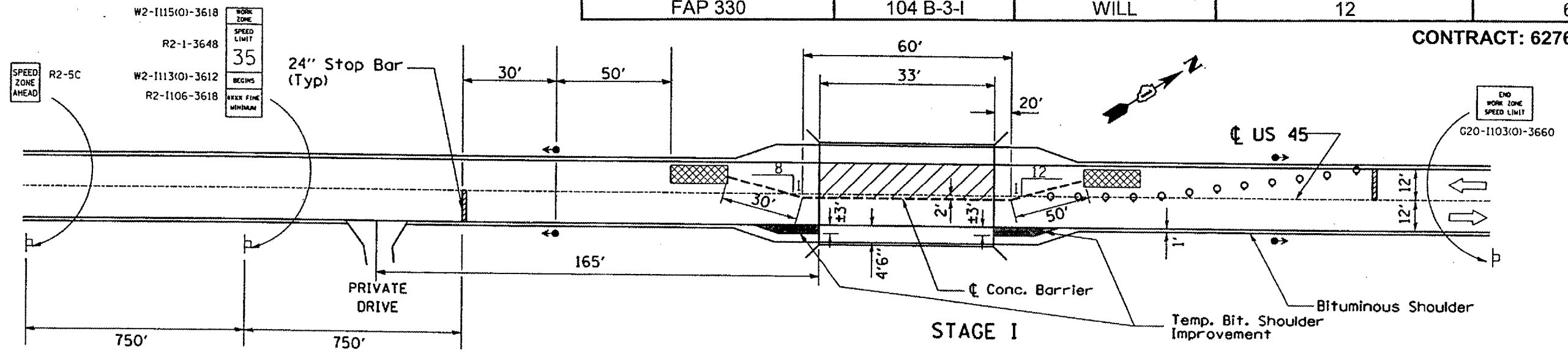
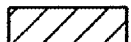






ROUTE	SECTION	COUNTY	TOTAL SHEETS	SHEET NUMBER
FAP 330	104 B-3-I	WILL	12	6

CONTRACT: 62767



SYMBOLS

- TEMPORARY CONCRETE BARRIER
-  WORK AREA
-  IMPACT ATTENUATOR
-  TRAFFIC SIGNAL
-  DRUM WITH STEADY BURN LIGHT
-  TEMP. BITUMINOUS SHOULDER IMPROVEMENT

NOTES:

Traffic control shall conform to Traffic Control Standard 701321, except as shown. All additional drums, signs and pavement markings shown shall be included in the cost of "Traffic Control and Protection, Standard 701321."

Cover conflicting pavement markings with black Type III tape. The tape and its removal shall be included in the cost of "Traffic Control and Protection, Standard 701321."

The existing guardrail shall be disconnected and reconnected to the parapet in-kind and included in the cost of "Concrete Superstructures."

The existing shoulders shall be brought to grade before they are used for traffic. This work shall be paid for at the contract unit price for, "Bituminous Concrete Surface Course, Superpave Mix "D" N50. Approx. Quantity = 2 Tons.

ILLINOIS DEPARTMENT OF TRANSPORTATION
TRAFFIC STAGING PLANS
 US 45 OVER JACKSON CREEK
 SN 099-2005
 (SHEET 2 OF 2)