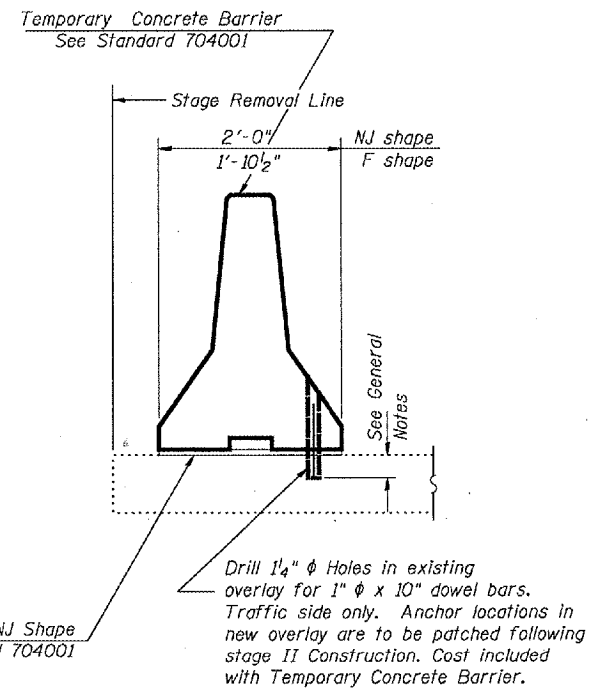
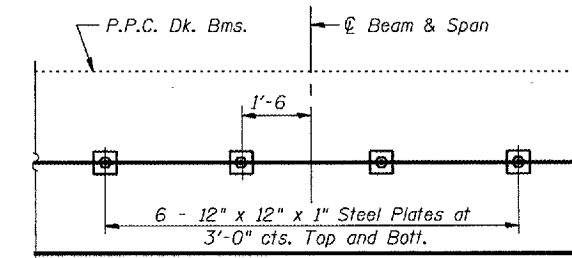


STATE OF ILLINOIS  
DEPARTMENT OF TRANSPORTATION

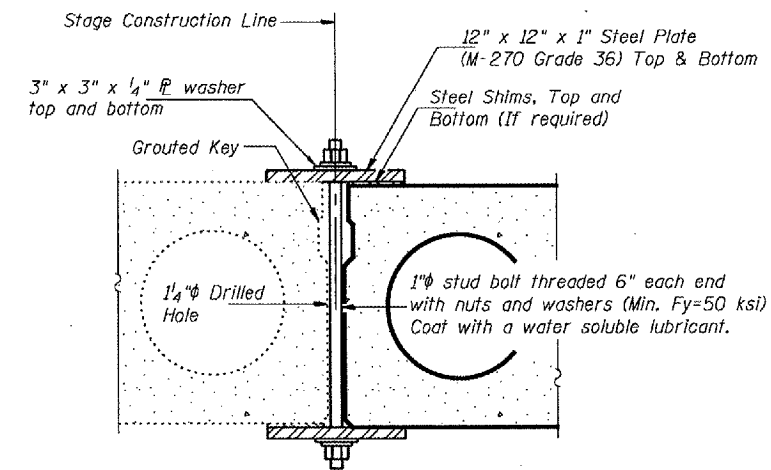
ROUTE NO.	SECTION	COUNTY	TOTAL SHEETS	SHEET NO.	SHEET NO. 5 5 SHEETS 62767
		Will	12	11	
FED. ROAD DIST. NO. 7	ILLINOIS	FED. AID PROJECT-			



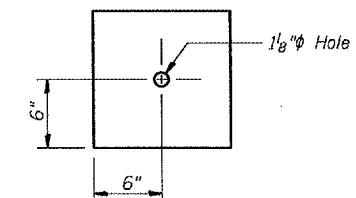
**TEMPORARY CONCRETE BARRIER**  
See Roadway Plans for Quantity



**PLAN**



**SECTION**



**CLAMPING PLATE**

Notes:  
See Special Provisions for Stage Construction Precast Prestressed Concrete Deck Beams. Cost is included with Precast Prestressed Concrete Deck Beams.

DESIGNED	V.H.V.
CHECKED	P.S.J.
DRAWN	Drew Christopher
CHECKED	V.H.V., P.S.J.

December 3, 2004

EXAMINED *John A. Morris*  
ENGINEER OF STRUCTURAL SERVICES

PASSED *Ralph E. Anderson*  
ENGINEER OF BRIDGES AND STRUCTURES

**CONCRETE BARRIER  
AND STAGE DETAILS  
US 45 OVER JACKSON CREEK  
WILL COUNTY  
SN.099-2005**