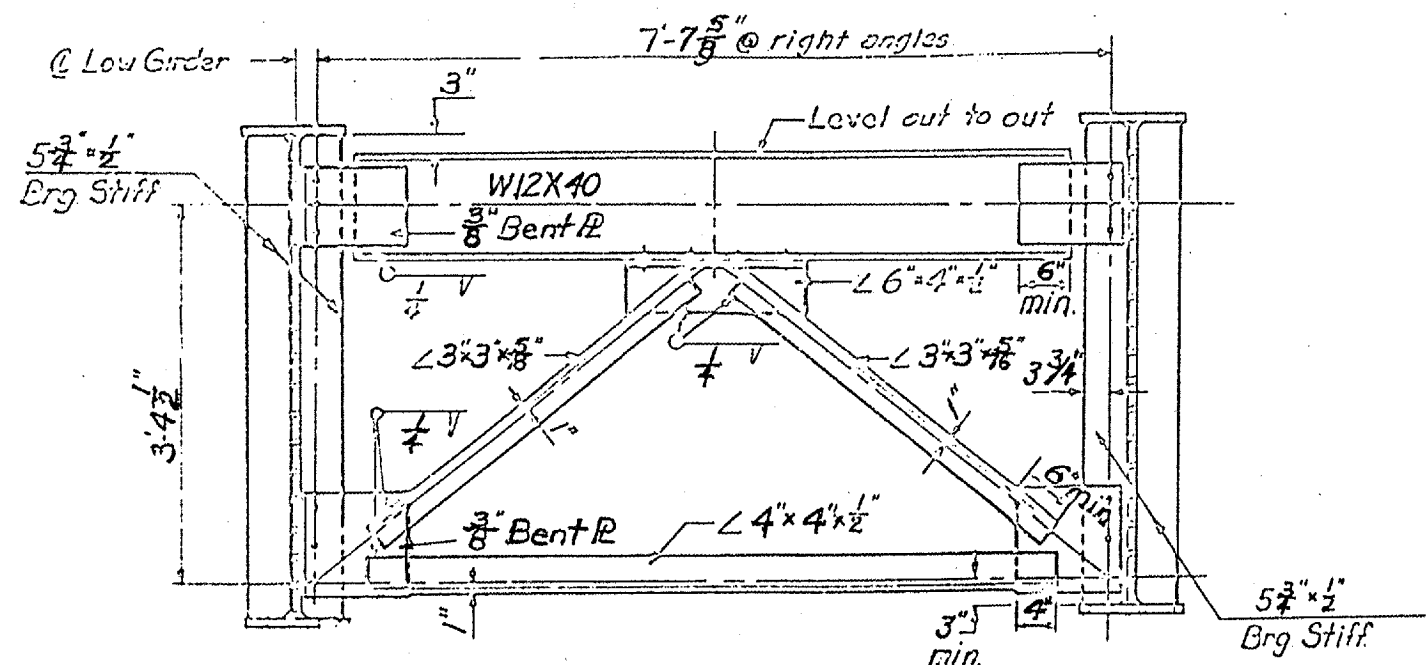
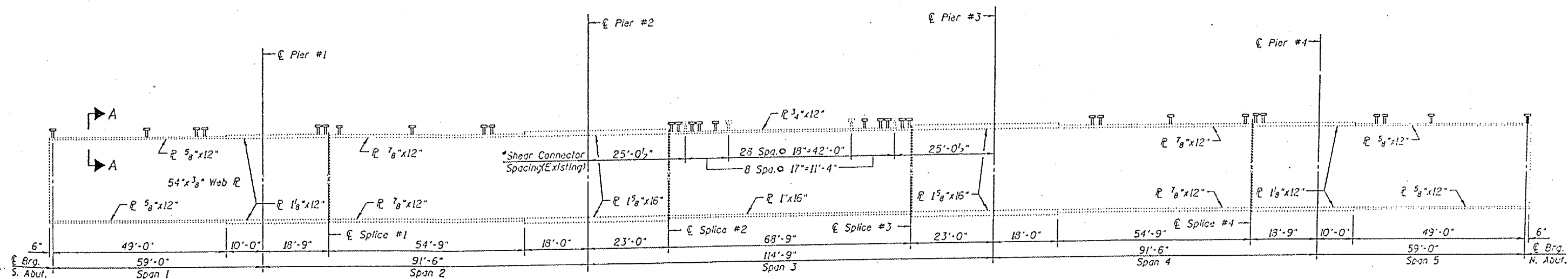


ROUTE	SECTION	COUNTY	TOTAL SHEETS	SHEET NUMBER
VARIOUS	2004-054BP	COOK	14	10

CONTRACT 62791



TYPICAL END CROSS FRAME

ILLINOIS DEPARTMENT OF TRANSPORTATION
STRUCTURAL DETAILS
 KEDZIE AVE OVER BRC RAILROAD
 SN: 016-0761