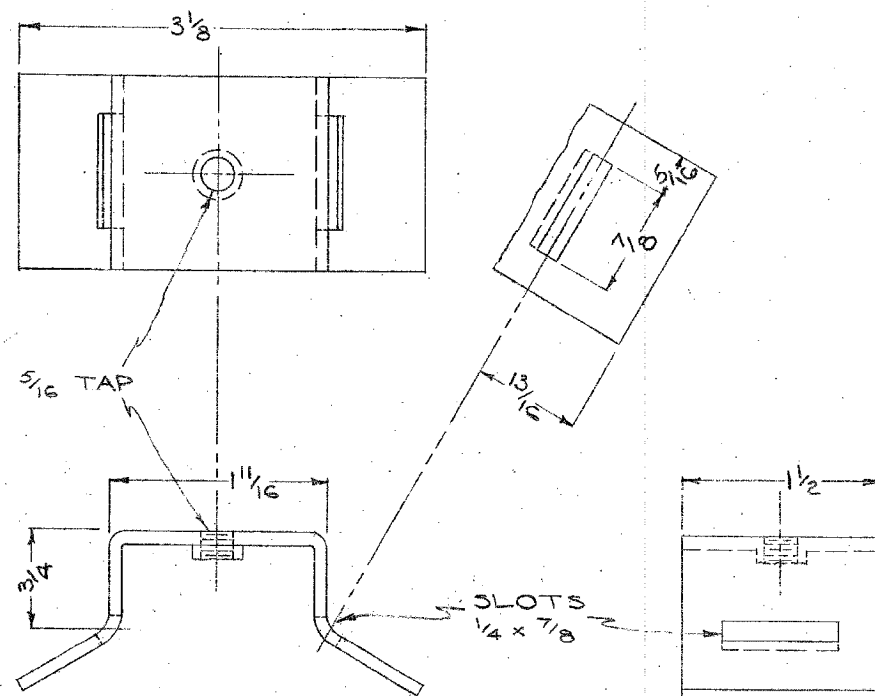


F.A.I. RTE.	SECTION	COUNTY	TOTAL SHEETS	SHEET NO.
90/94	2004-098TS	COOK	63	61
STA.	TO STA.			
FED. ROAD DIST. NO. 1	ILLINOIS	FED. AID PROJECT		

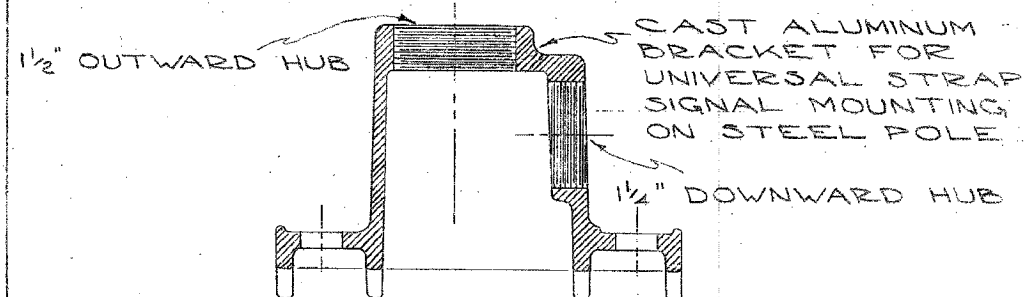
62839

BANDING FITTING FOR POLE MOUNTING JUNCTION BOX



MATERIAL: STAINLESS STEEL - 4 1/2 x 1 1/2 x 3/32

BANDING FITTING FOR POLE MOUNTING SIGNALS



MATERIAL: CAST ALUMINUM

CROUSE HINDS
 TL-3301-WITHOUT DOWNWARD HUB
 TL-3302 WITH 1/4" DOWNWARD HUB

BANDING FITTINGS FOR POLE MOUNTING TRAFFIC SIGNAL

CITY OF CHICAGO
 DEPT. OF STREETS AND SANITATION
 DIVISION OF ELECTRICAL ENGINEERING

DRAWN	DESIGNED	CHECKED
ONE T.T.I.	ONE T.T.I.	ONE T.T.I.
Charles M. ...	Charles M. ...	Charles M. ...
11/14/04	11/14/04	11/14/04

BOE-43

REVISIONS	
NAME	DATE

ILLINOIS DEPARTMENT OF TRANSPORTATION
 F.A.I. 90/94 (DAN RYAN EXPRESSWAY)
 TRAFFIC SIGNALS AT 59TH STREET AND
 WENTWORTH AVENUE / WELLS STREET

BOE STANDARD DETAILS

SCALE: NOT TO SCALE
 DATE: November 12, 2004

DRAWN BY: HAR
 CHECKED BY: WDS