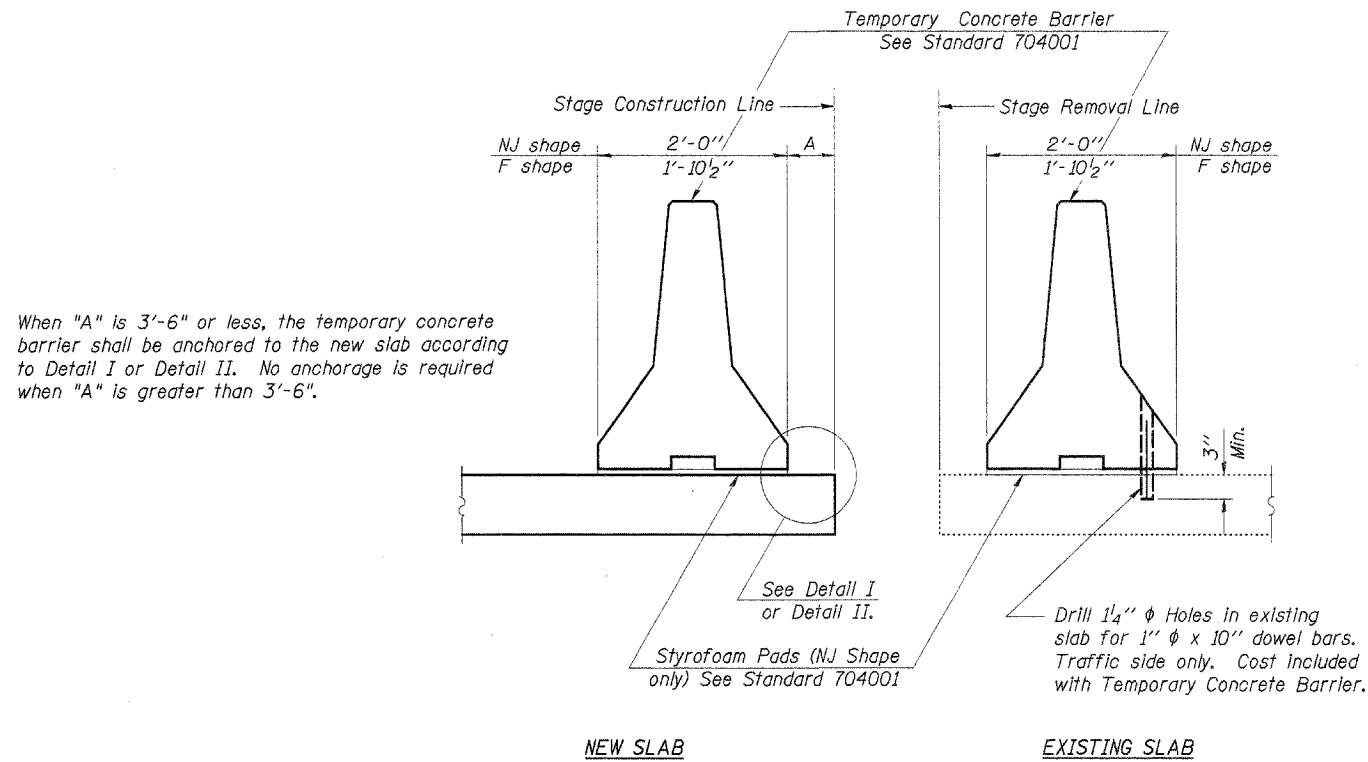
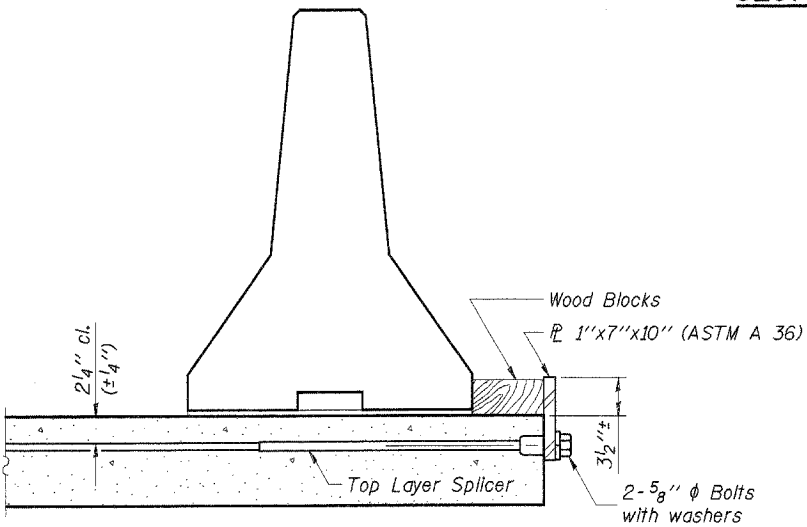


ROUTE NO.	SECTION	COUNTY	TOTAL SHEETS	SHEET NO.
FAP 697	17BR-1	FORD	42	37

ILLINOIS  
CONTRACT NO. 66363  
Sheet 19 of 20

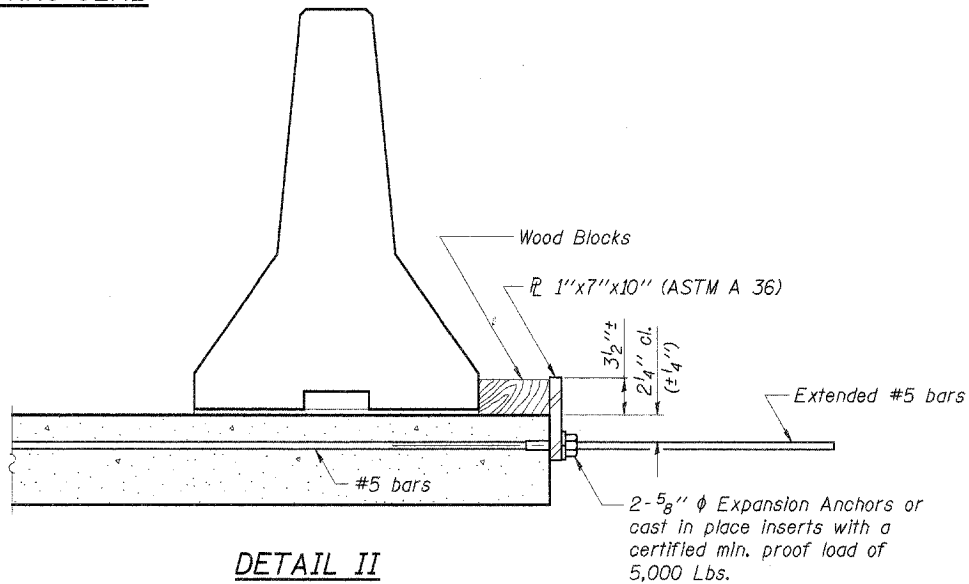


**SECTION THRU SLAB**



**DETAIL I**

The 1"x7"x10" Plate shall not be removed until Stage II Construction forms and reinforcement bars are in place.



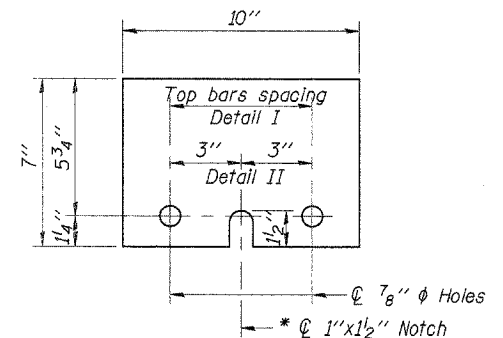
**DETAIL II**

The 1"x7"x10" Plate shall not be removed until Stage II Construction forms and all reinforcement bars are in place and the concrete is ready to be placed.

**TEMPORARY CONCRETE BARRIER FOR STAGE CONSTRUCTION**

**NOTES**

- Detail I - With Bar Splicer or Couplers: Connect one (1) 1"x7"x10" steel  $\bar{L}$  to the top layer of couplers with 2-5/8"  $\phi$  bolts screwed to coupler at approximate  $\bar{C}$  of each barrier panel.
  - Detail II - With Extended Reinforcement Bars: Connect one (1) 1"x7"x10" steel  $\bar{L}$  to the concrete slab with 2-5/8"  $\phi$  Expansion Anchors or cast in place inserts spaced between the top layer of reinforcement at approximate  $\bar{C}$  of each barrier panel.
- Cost of anchorage is included with Temporary Concrete Barrier. Quantity of Temporary Concrete Barrier is included with Roadway Plans.



**1" x 7" x 10"**

\* Required only with Detail II

DESIGNED	P.S.L.
CHECKED	A.R.K. & F.J.S.
DRAWN	K.T.R.
CHECKED	P.S.L. & A.R.K.

R-27 9-01-03

**TEMPORARY CONCRETE BARRIER**  
IL. RTE. 9 OVER WALL TOWN DRAINAGE DITCH  
FAP ROUTE 697 - SECTION 17BR-1  
FORD COUNTY  
STATION 993+80.38  
S.N. 027-0094

4440 ASH GROVE  
SPRINGFIELD, IL. 62707  
(217) 793-6600  
oasinc@famvid.com

**OZYURT AND STONE, INC.**  
CONSULTING ENGINEERS

JOB NO.: 0306.2  
FILE: BARRIER.DG  
DATE: 06-08-04