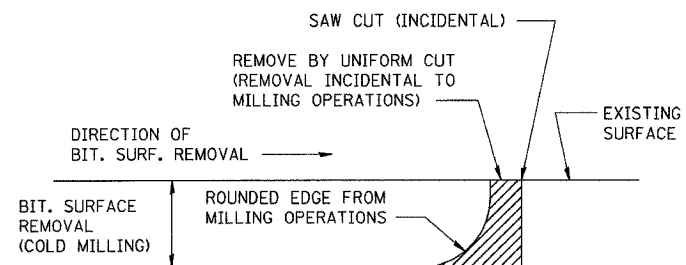


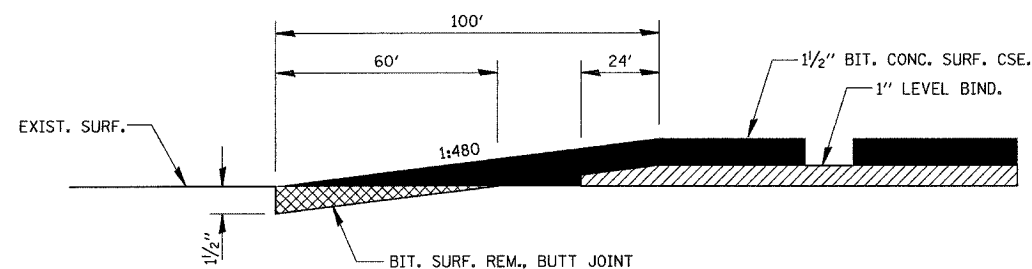
F.A. RTE.	SECTION	COUNTY	TOTAL SHEETS	SHEET NO.
(1R)TS	FAP330 (ILL 17)	KANKAKEE	22	16
STA. _____		TO STA. _____		
FED. ROAD DIST. NO. _____		ILLINOIS FED. AID PROJECT		

CONTRACT NO. 66416

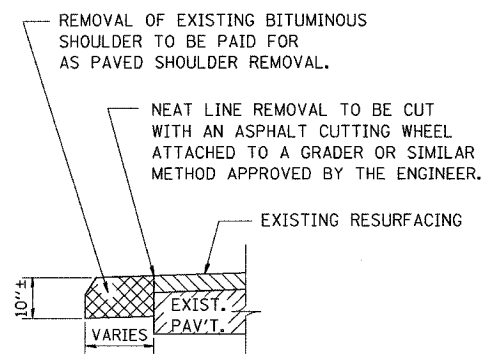


NOTE: WHEN MILLING OPERATIONS PRODUCE A ROUNDED EDGE, THEN A SAW CUT SHALL BE USED TO MANUFACTURE A PERPENDICULAR EDGE AS SHOWN IN THE DETAIL. THE ENGINEER SHALL BE THE SOLE JUDGE CONCERNING THE USE OF THIS DETAIL.

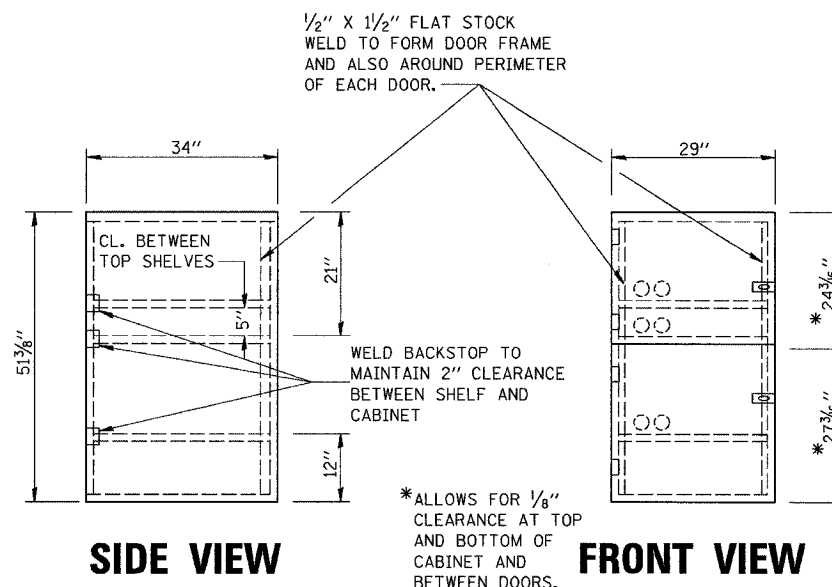
BITUMINOUS DETAIL AT BUTT JOINTS



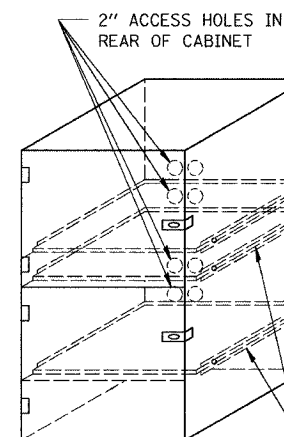
RUNDOWN DETAIL



REMOVAL OF EXISTING BITUMINOUS SHOULDER



- NOTES:
1. USE 16 GAUGE STEEL FOR CABINET.
 2. THE TOP SHELF SHALL SLIDE IN OR OUT WITH THE TOP DOOR OPEN.
 3. ALL HINGES AND HASPS WILL BE WELDED TO THE CABINET.
 4. ALL EDGES SHALL BE GROUND SMOOTH.
 5. TWO (2\"/>



FLAT STOCK DIMENSIONS VARY DEPENDING ON TYPE OF ROLLER ASSEMBLY.

LOCKABLE COMPUTER CABINET

IL ROUTE 17
AND CH 38 / LOWE ROAD
DETAILS
FAP ROUTE 330, FAU ROUTE 6209
SEC. NO. (1R)TS
KANKAKEE COUNTY