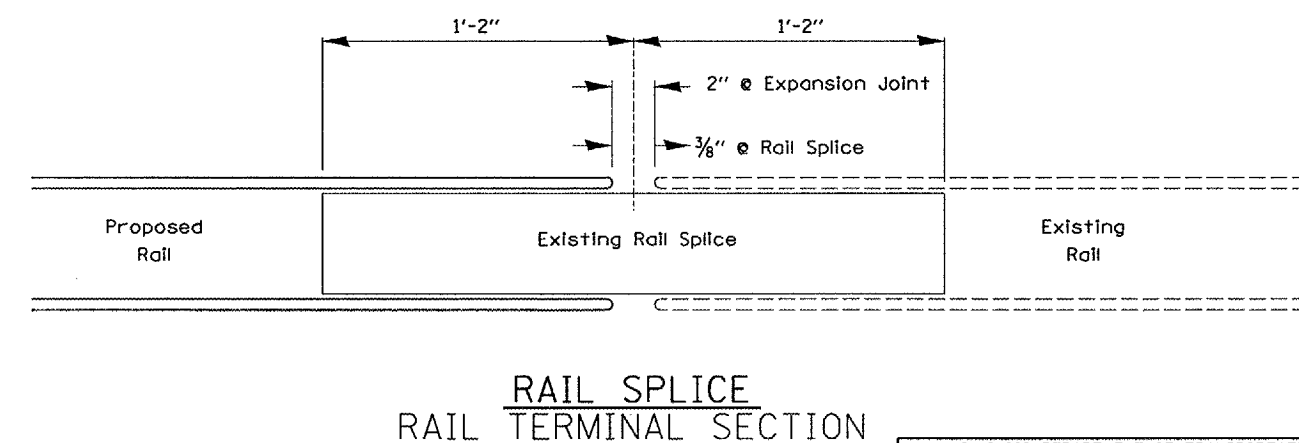
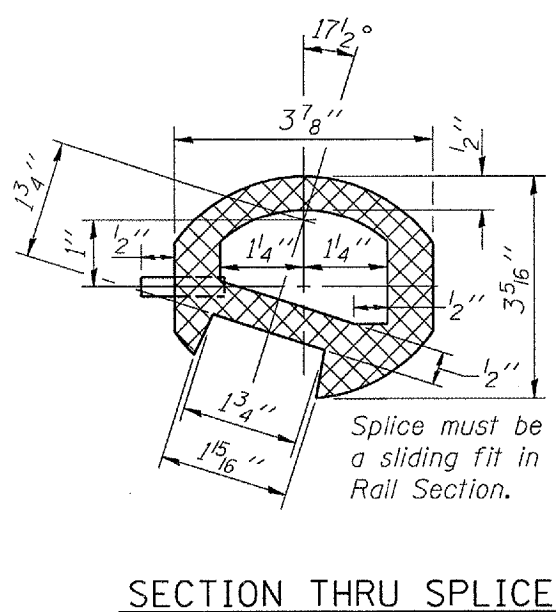
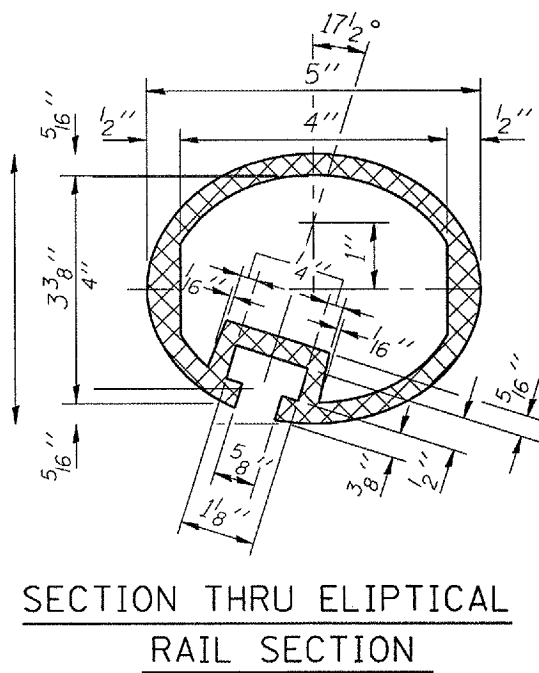
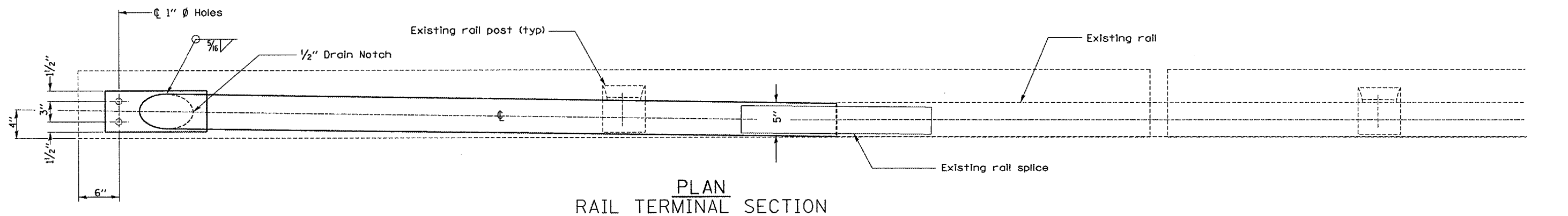
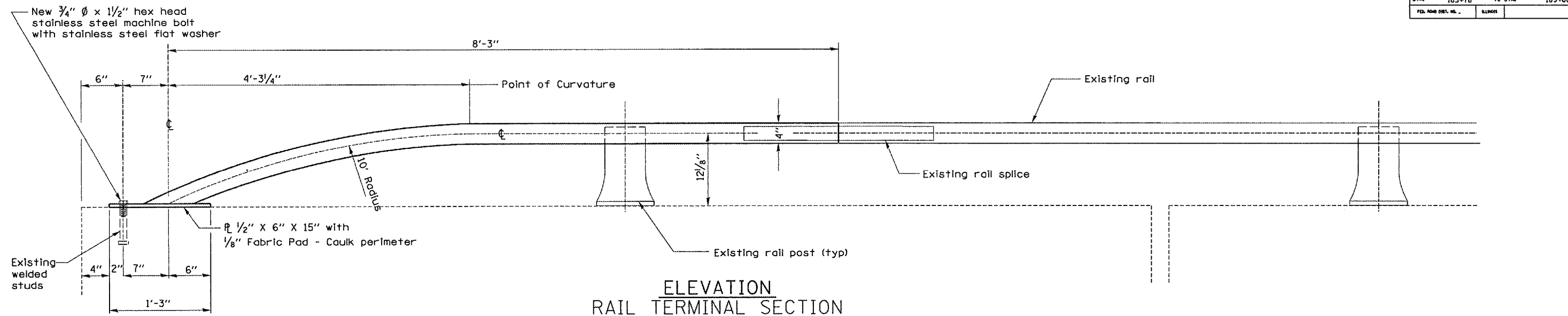


F. & L. DIST.	SECTION	COUNTY	TOTAL SHEETS	SHEET NO.
SS	(53-5B-1)I	LIVINGSTON	9	8
STA.	185+78	TO STA.	189+80	
FED. ROAD DIST. NO.		ROUTE		



Date: 08/31/04
mch05/053-0128/053-0128.dgn

REVISIONS	
NAME	DATE

ILLINOIS DEPARTMENT OF TRANSPORTATION

BRIDGE RAIL (SPECIAL) DETAILS

SCALE: VERT. DATE 08/31/04
HORIZ. DRAWN BY RLW
CHECKED BY