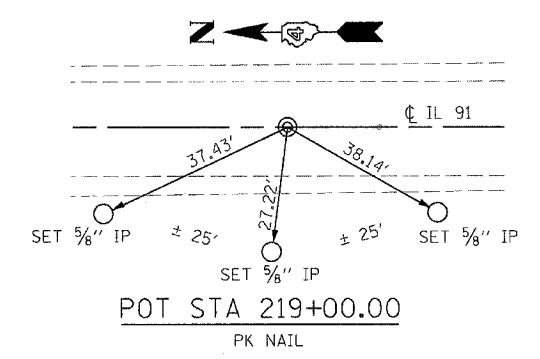
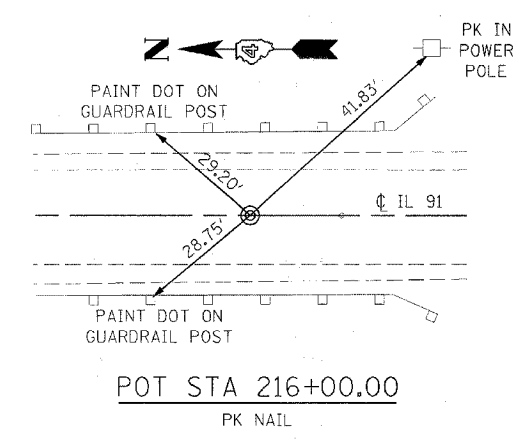
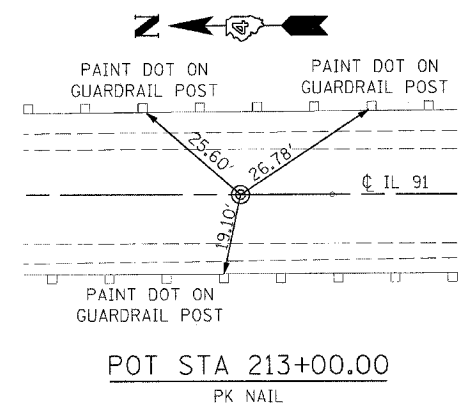
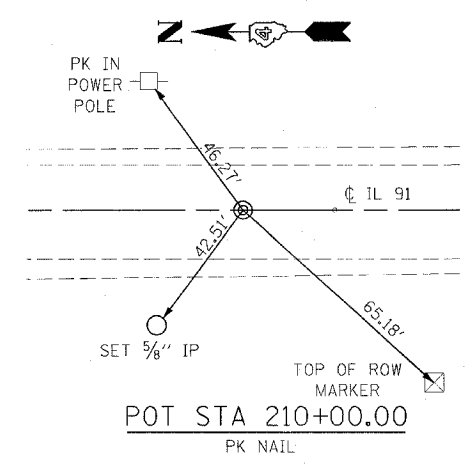


CONTRACT NO. 68074				
F.A.S. RTE.	SECTION	COUNTY	TOTAL SHEETS	SHEET NO.
1379	(108B) BR-1	STARK	33	6
STA.	210+02	TO STA.	217+40	
FED. ROAD DIST. NO.	ILLINOIS	IL 91		

TIE POINTS IL 91



STA 210+02 TO STA 217+40
INDIAN CREEK TRIBUTARY

BENCHMARKS IL 91

BM #5 STA 211+10.23, 74.72' RT
SPIKE IN POWER POLE
EL 726.40

BM #7 STA 214+39.00, 18.50' LT
CHISELED SQUARE ON THE NW WINGWALL OF BRIDGE
SN 088-0018, EL 719.30

BM #6 STA 214+56.53, 19.00' RT
CHISELED SQUARE ON THE SW WINGWALL OF BRIDGE
SN 088-0018, EL 719.19

REVISIONS	
NAME	DATE

ILLINOIS DEPARTMENT OF TRANSPORTATION

**REFERENCE, TIES
AND BENCHMARKS**

SCALE: NO SCALE
DATE: 06-02-03

DRAWN BY: BAD
CHECKED BY: JLG