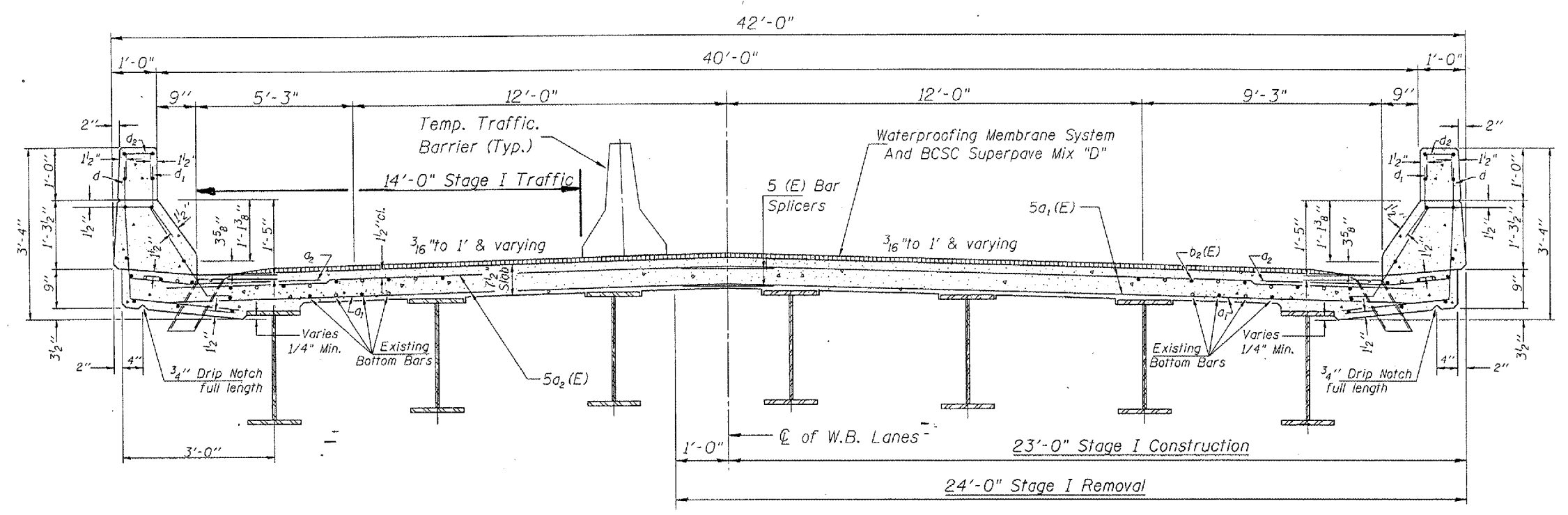
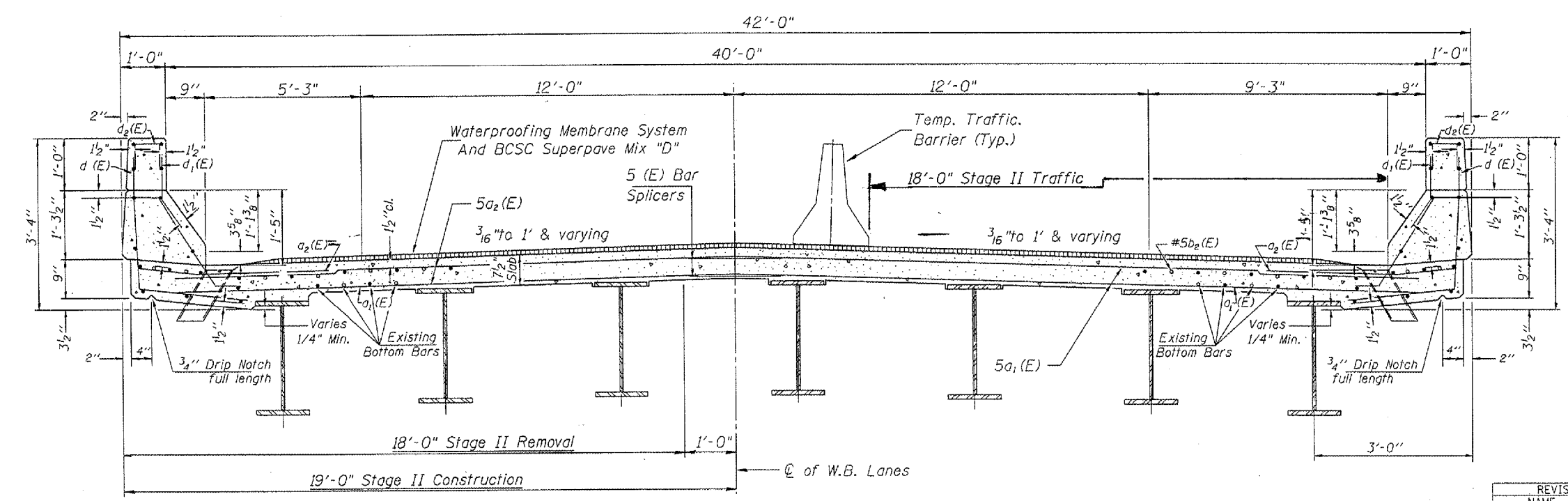


F.A. DIST. NO.	SECTION	COUNTY	TOTAL SHEETS	SHEET NO.
33.7	D4 BRIDGE REP.	PEORIA	14	9
STA. 499+99.08		TO STA. 414+72.02		
FED. ROAD DIST. NO. 4		ILLINOIS FED. AID PROJECT		



STAGE I CROSS SECTION
(Looking South in W.B. lane)



STAGE II CROSS SECTION
(Looking South in W.B. lane)

NOTE
ReflectORIZED temporary pavement marking tape shall be placed throughout the taper and alongside the work area. The edge line shall be white for right lane closures and yellow for left lane closures.

REVISIONS	
NAME	DATE

ILLINOIS DEPARTMENT OF TRANSPORTATION
STAGE REMOVAL AND CONSTRUCTION
SCALE: VERT. _____
 HORIZ. _____
DATE 05-14-2004
DRAWN BY CEJ
CHECKED BY _____

PLOT DATE = 05/14/04
FILE NAME = 051404
PLOT SCALE = 1/4" = 1'-0"
REFERENCE = 051404