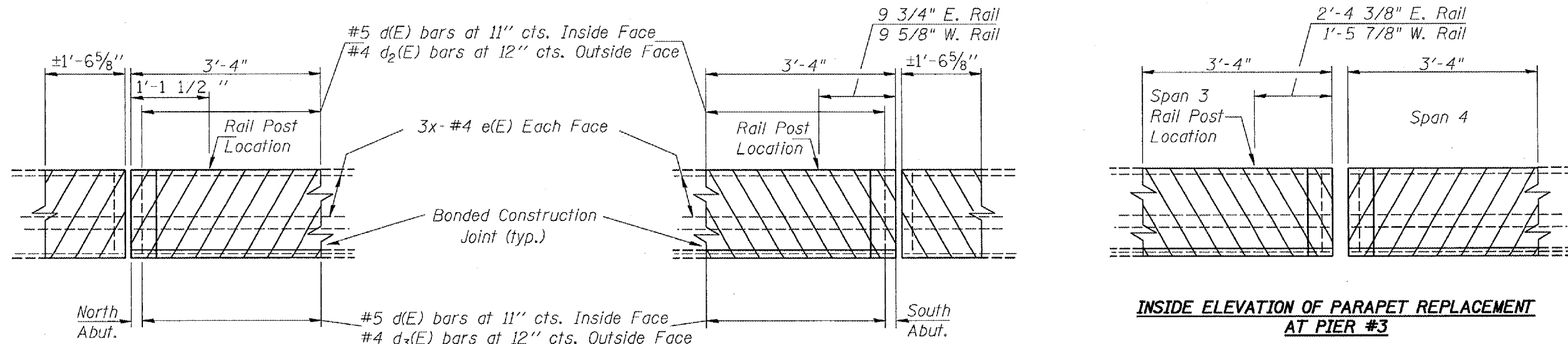
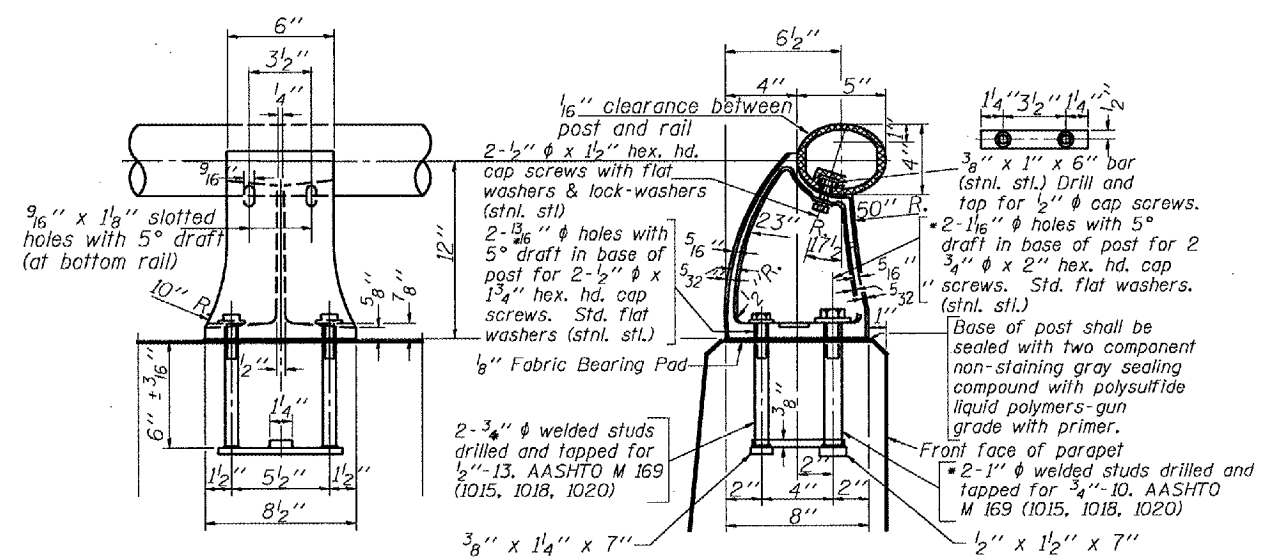


68420



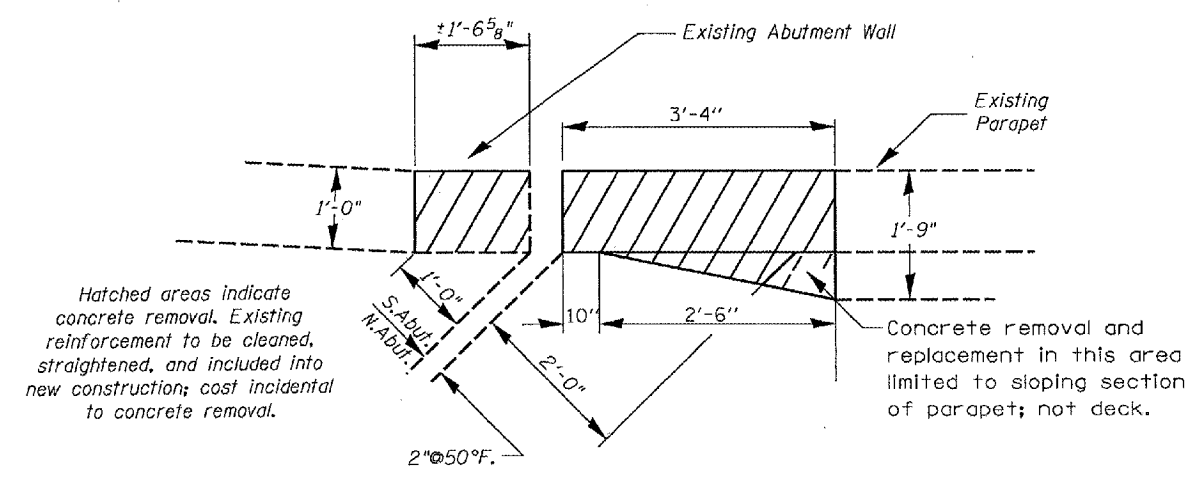
INSIDE ELEVATION OF PARAPET REPLACEMENT AT ABUTMENTS
Typical when facing Parapet

INSIDE ELEVATION OF PARAPET REPLACEMENT AT PIER #3

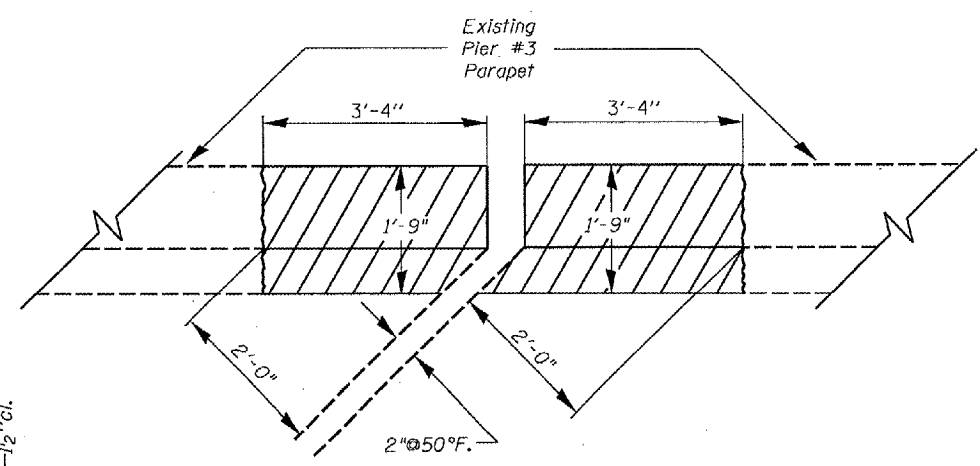
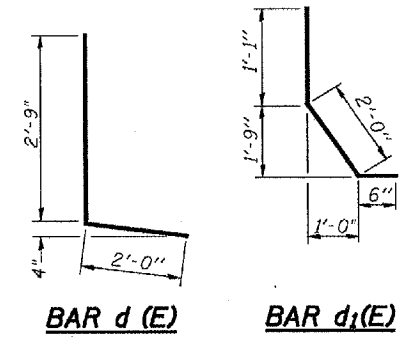


RAIL POST DETAILS
Existing Details

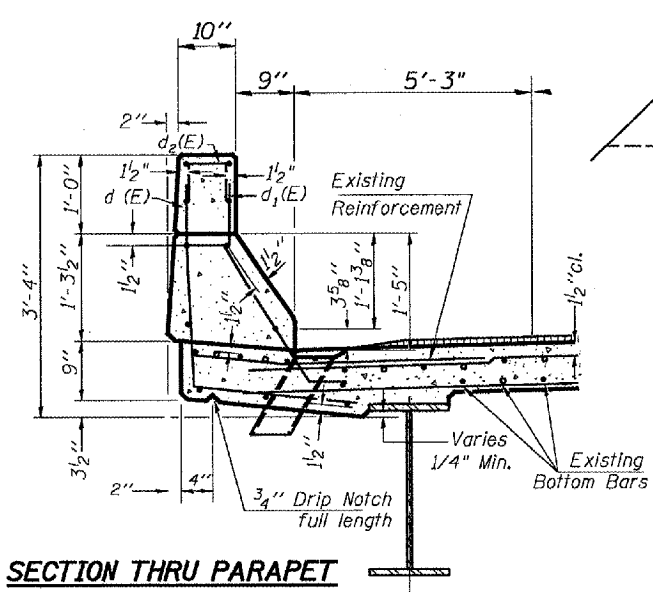
* In lieu of the cast-in-place anchor device shown, the Contractor has the option of drilling and epoxy grouting stainless steel anchor rods of the same diameter and grade as the specified cap screws. Embedment shall be according to the manufacturer's specifications.



Parapet Concrete Removal at Abutments



Parapet Concrete Removal at Pier 3



SECTION THRU PARAPET

SUPERSTRUCTURE BILL OF MATERIAL

Bar	No.	Size	Length	Shape
d(E)	24	#4	4'-9"	L
d1(E)	24	#5	3'-7"	L
Reinforcement Bars, Epoxy Coated			Pound	170
Concrete Superstructure			Cu. Yds.	2.7

Reinforcement bars designated (E) shall be epoxy coated.

REVISIONS	
NAME	DATE

ILLINOIS DEPARTMENT OF TRANSPORTATION
PARAPET CONCRETE REMOVAL DETAIL
SCALE: VERT. DATE 05-15-2004
DRAWN BY CEJ CHECKED BY

NOTE:
LOCATION OF THE EXISTING RAIL POSTS IN THE CONCRETE REMOVAL AREAS SHALL BE MEASURED IN THE FIELD BEFORE REMOVAL AND RE-ERECTED IN THE SAME LOCATION. PROVIDE NEW ANCHOR DEVICES AS SHOWN IN RAIL POST DETAILS. COST INCIDENTAL TO CONCRETE REMOVAL.

PLOT DATE = 05/15/04
FILE NAME = 051504
PLOT SCALE = 1/8" = 1'-0"
REFERENCE = REF