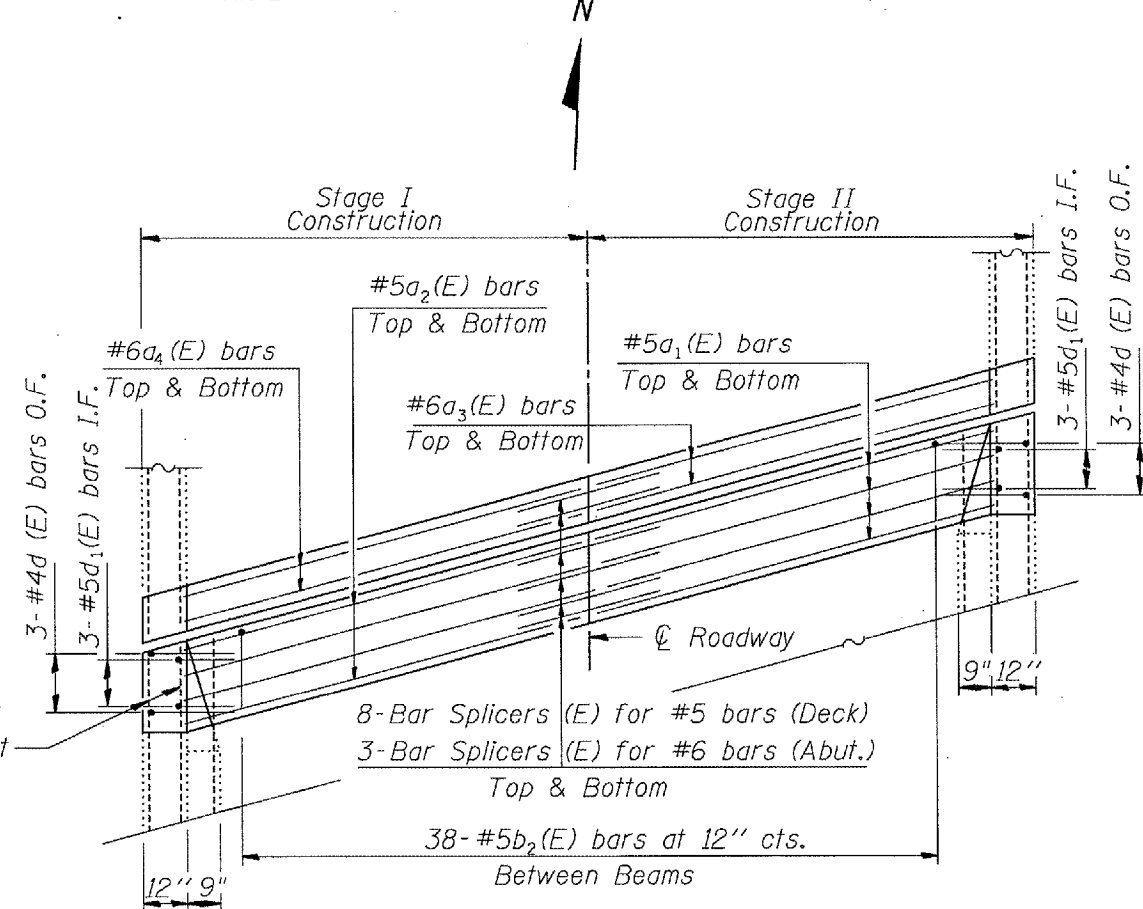
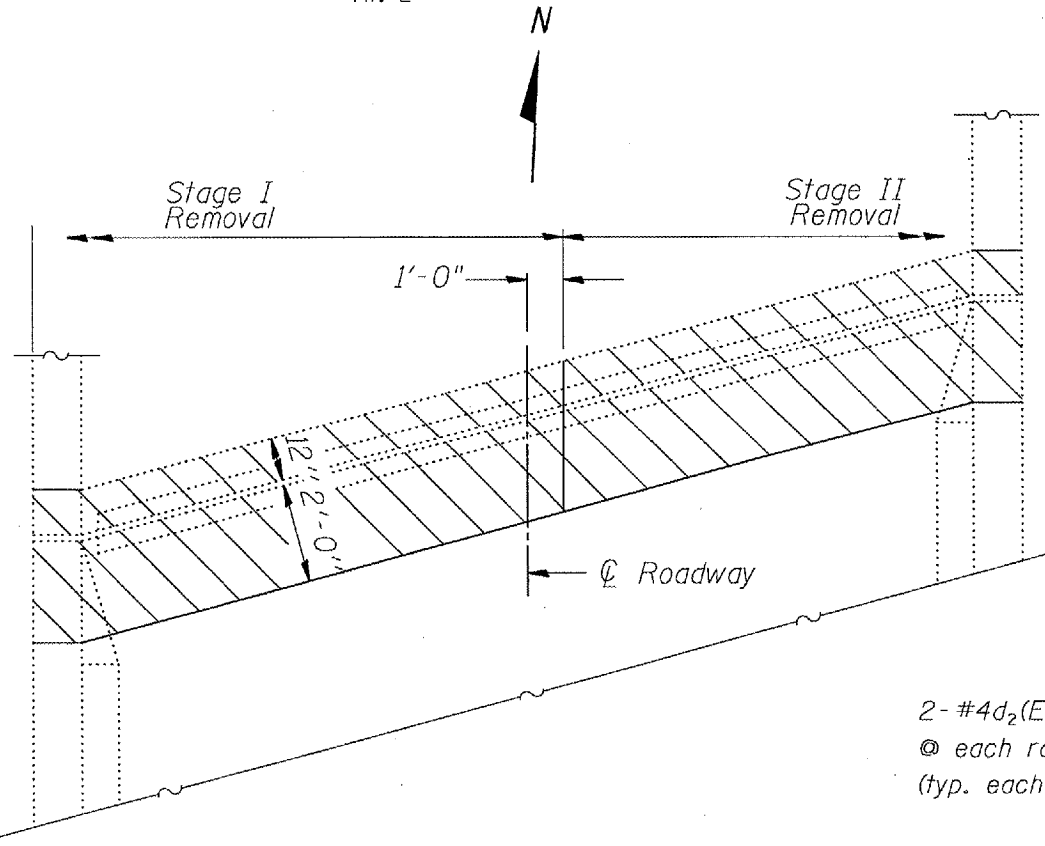
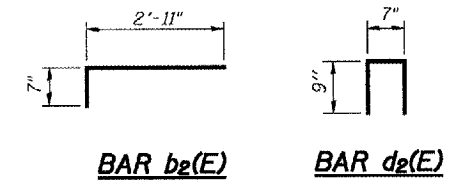
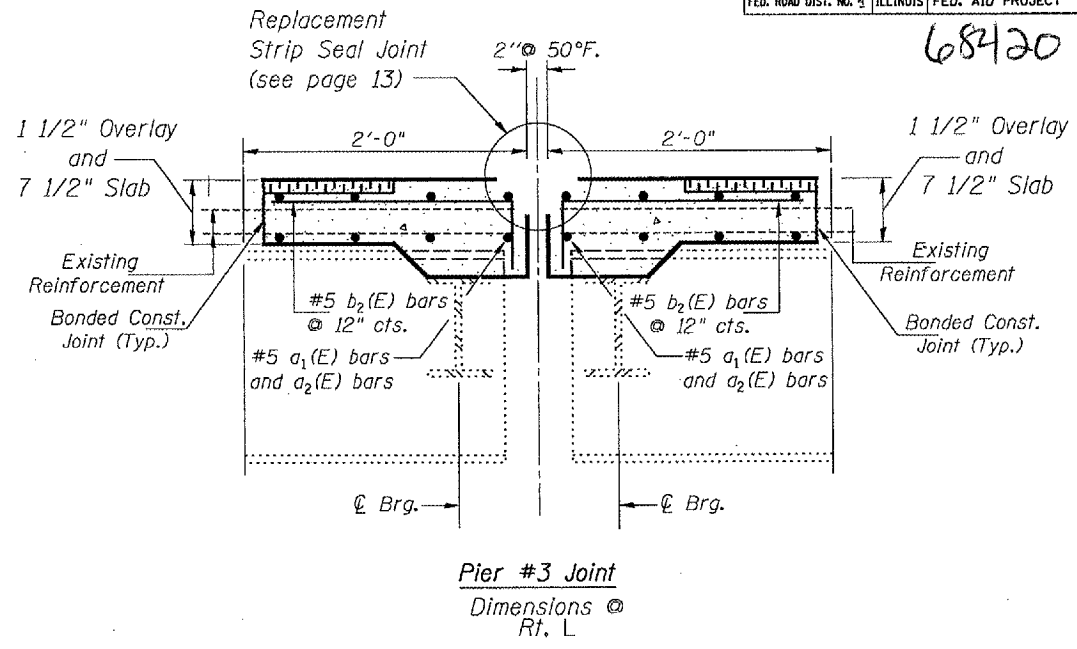
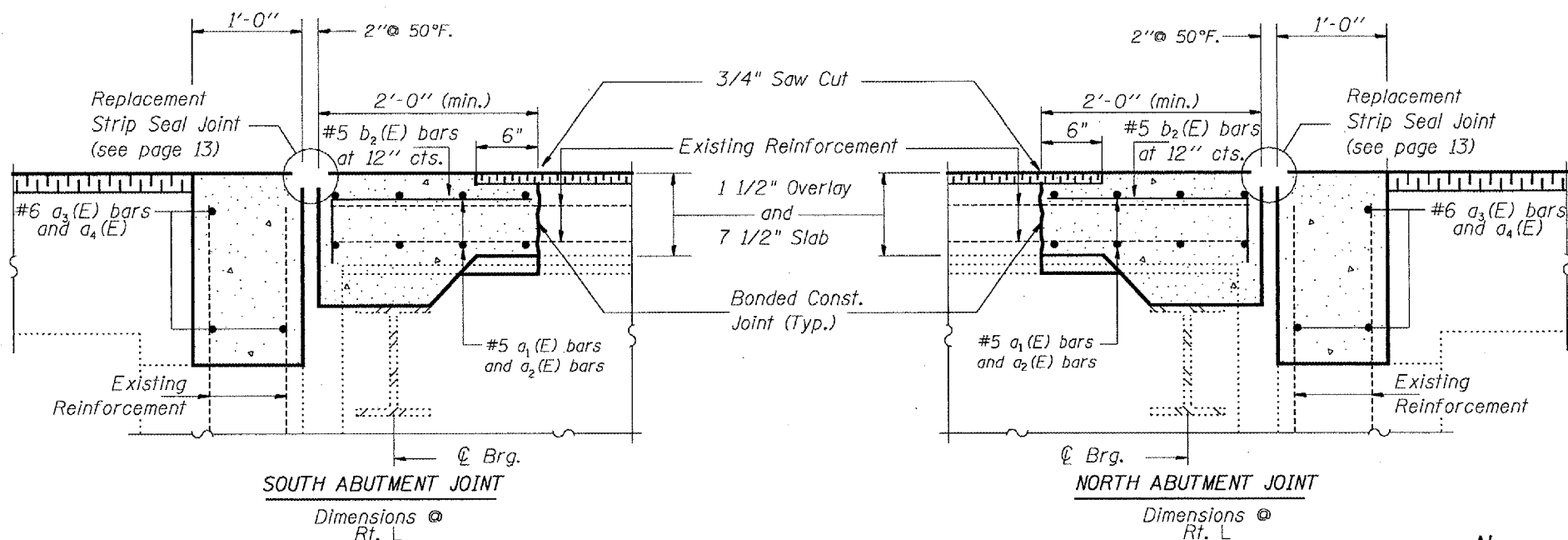


F.A.P. RTE.	SECTION	COUNTY	TOTAL SHEETS	SHEET NO.
31.1	D4 BRIDGE REF.	PEORIA	14	12
STA. 409+99.08		TO STA. 414+72.02		
FED. ROAD DIST. NO. 1 ILLINOIS FED. AID PROJECT				

68420



BILL OF MATERIALS

BAR	NO.	SIZE	LENGTH	SHAPE	
a ₁ (E)	32	#5	34'-3"	—	
a ₂ (E)	32	#5	28'-0"	—	
a ₃ (E)	6	#6	34'-3"	—	
a ₄ (E)	6	#6	28'-0"	—	
b ₂ (E)	152	#5	3'-6"	└	
d ₂ (E)	12	#4	2'-1"	┐	
BAR SPLICERS (E)				EACH	38
REINFORCEMENT BARS, EPOXY COATED				POUND	3,210
CONCRETE SUPERSTRUCTURE				CU.YD.	23

Reinforcement bars designated (E) shall be epoxy coated.

REVISIONS	
NAME	DATE

ILLINOIS DEPARTMENT OF TRANSPORTATION
JOINT RECONSTRUCTION DETAIL
 SCALE: VERT. HORIZ.
 DATE 05-20-2004
 DRAWN BY CEJ
 CHECKED BY

Note
 Pier 3 Existing and Proposed Partial Plan reconstruction is similar to deckside plan for joint Removal and Construction.

PLOT DATE: 05/20/04
 FILE NAME: 052004.DWG
 PLOT SCALE: 1/8"=1'-0"
 REFERENCE: 052004.DWG