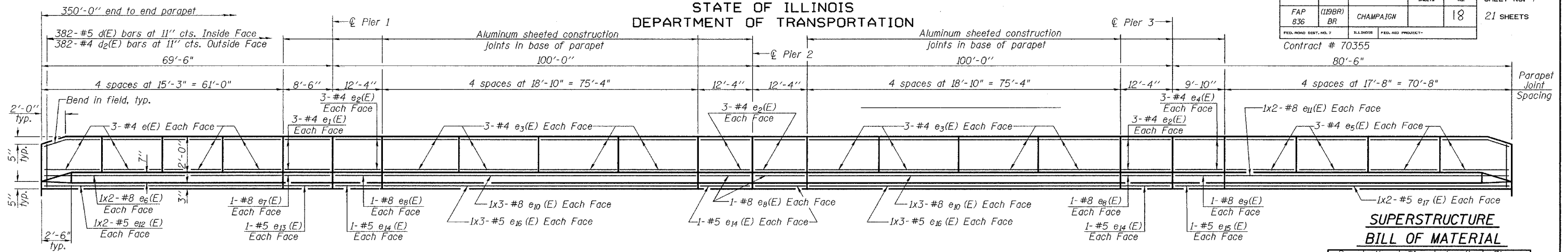


STATE OF ILLINOIS
DEPARTMENT OF TRANSPORTATION

ROUTE NO.	SECTION	COUNTY	DATE	SHEET	SHEET NO. 7 21 SHEETS
FAP 836	(119BR) BR	CHAMPAIGN		18	
FED. ROAD DIST. NO. 7			ILLINOIS		FED. AID PROJECT-

Contract # 70355

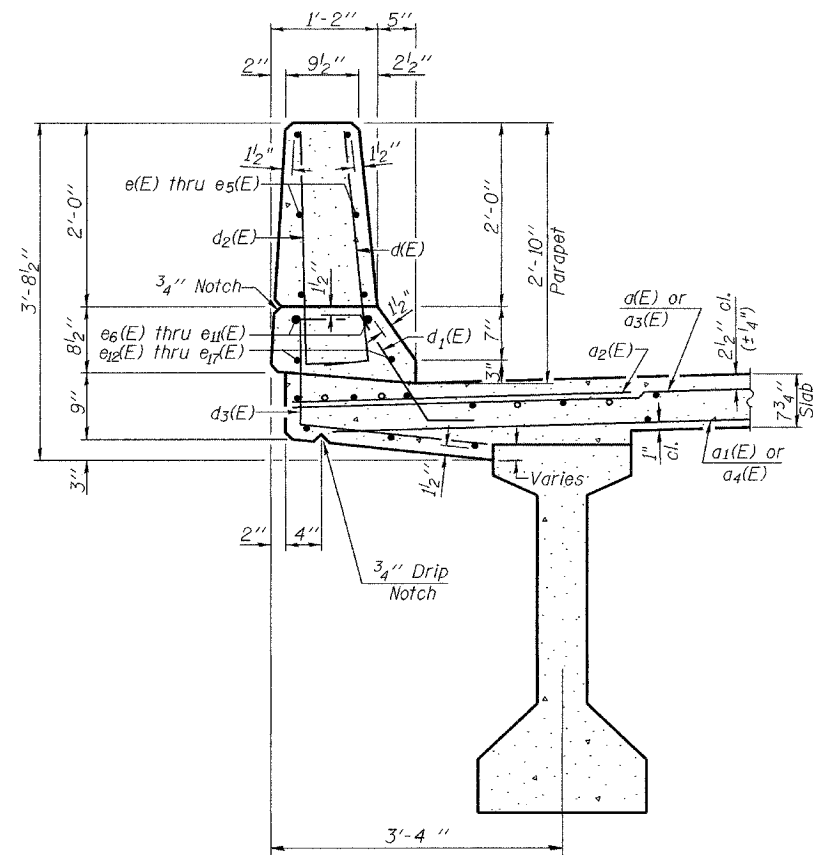


INSIDE ELEVATION OF PARAPET

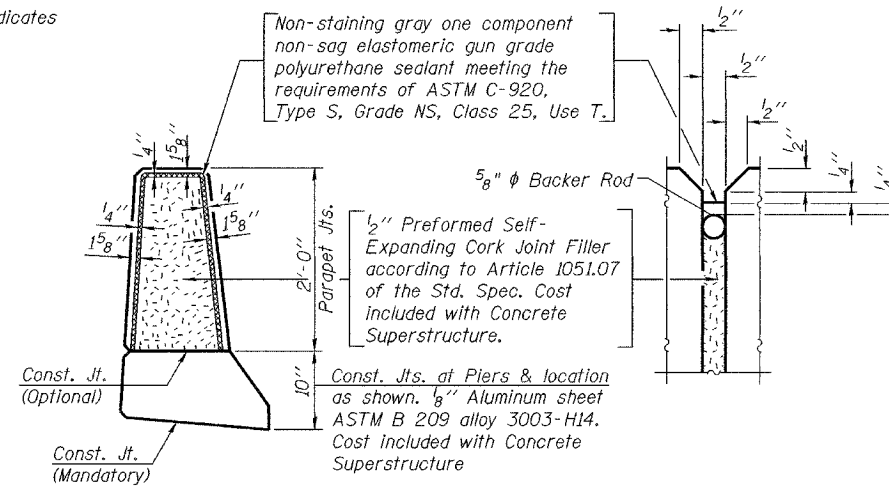
MINIMUM BAR LAP

- #4 bar = 1'-4"
- #5 bar = 1'-8"
- #8 bar = 3'-5"

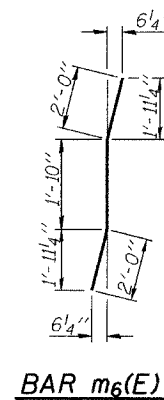
Notes: Bars indicated thus 1 x 2-#8 etc. indicates one line of bars with 2 lengths per line



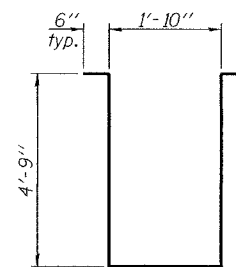
SECTION THRU PARAPET



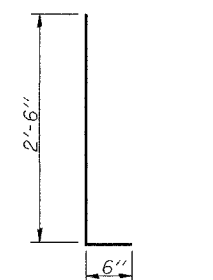
PARAPET JOINT DETAILS



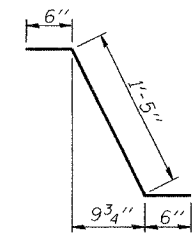
BAR m6(E)



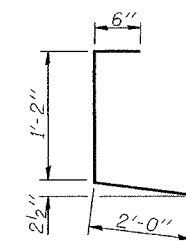
BAR d4(E)



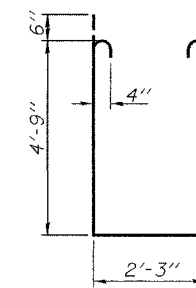
BARS d(E) & d2(E)



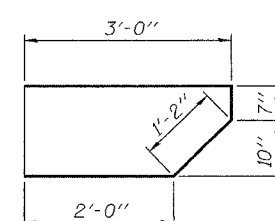
BAR d1(E)



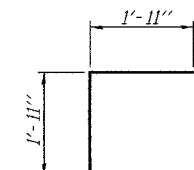
BAR d3(E)



Bar s1(E)



BAR s(E)



BAR v(E)

SUPERSTRUCTURE
BILL OF MATERIAL

Bar	No.	Size	Length	Shape
a(E)	526	#5	38'-6"	—
a1(E)	422	#5	36'-10"	—
a2(E)	526	#6	4'-6"	—
a3(E)	2	#5	39'-10"	—
a4(E)	2	#5	38'-2"	—
b(E)	462	#5	33'-10"	—
b1(E)	222	#6	42'-0"	—
b2(E)	432	#5	31'-2"	—
d(E)	764	#5	3'-0"	—
d1(E)	752	#5	2'-5"	┘
d2(E)	764	#4	3'-0"	┘
d3(E)	764	#4	3'-8"	┘
d4(E)	12	#5	2'-1"	┘
e(E)	48	#4	14'-11"	—
e1(E)	12	#4	8'-2"	—
e2(E)	48	#4	12'-0"	—
e3(E)	96	#4	18'-6"	—
e4(E)	12	#4	9'-6"	—
e5(E)	48	#4	17'-4"	—
e6(E)	8	#8	32'-1"	—
e7(E)	4	#8	8'-2"	—
e8(E)	16	#8	12'-0"	—
e9(E)	4	#8	9'-6"	—
e10(E)	24	#8	27'-4"	—
e11(E)	8	#8	36'-11"	—
e12(E)	8	#5	31'-2"	—
e13(E)	4	#5	8'-2"	—
e14(E)	16	#5	12'-0"	—
e15(E)	4	#5	9'-6"	—
e16(E)	24	#5	26'-2"	—
e17(E)	8	#5	36'-0"	—
m(E)	4	#6	38'-8"	—
m1(E)	6	#6	40'-3"	—
m2(E)	24	#6	9'-6"	—
m3(E)	40	#6	4'-6"	—
m4(E)	4	#6	2'-2"	—
m5(E)	60	#4	5'-8"	—
m6(E)	18	#8	5'-10"	—
s(E)	84	#5	6'-9"	┘
s1(E)	72	#4	12'-9"	┘
s2(E)	75	#4	12'-4"	┘
v(E)	78	#5	3'-10"	┘
Reinforcement Bars, Epoxy Coated		Lbs.	105,140	
Conc. Superstructure		Cu. Yds.	490	

Reinforcement bars designated (E) shall be epoxy coated.

SUPERSTRUCTURE DETAILS
F.A.P. RT. 836-SECTION (119BR)BR
CHAMPAIGN COUNTY
STATION 1015+21.00
STRUCTURE NO. 010-0280

DESIGNED	Philip E. Coppernoll
CHECKED	Ray Ahanchi
DRAWN	Michael B. Mossman
CHECKED	P.E.C./G.R.A.

EXAMINED	December 1, 2004	Thomas J. Domagala
PASSED		Ralph E. Anderson