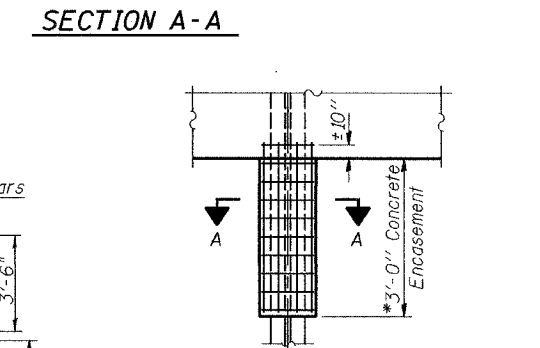
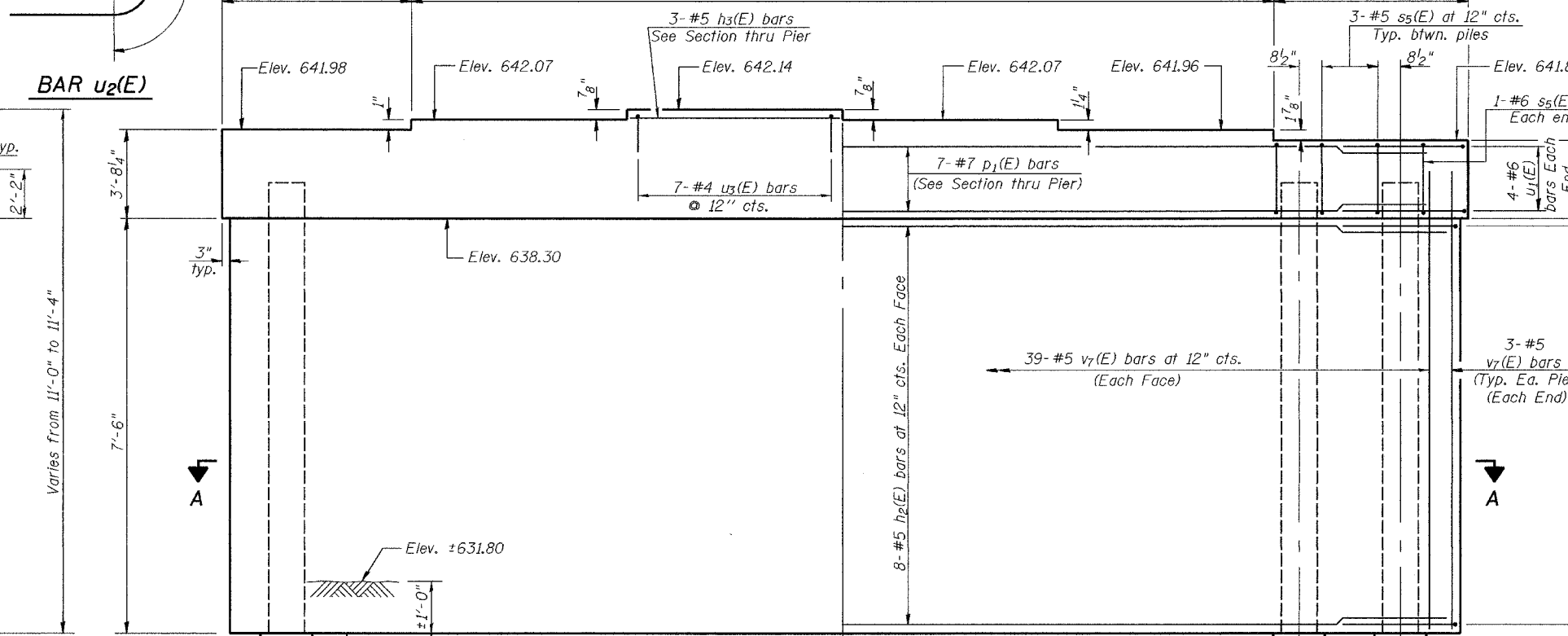
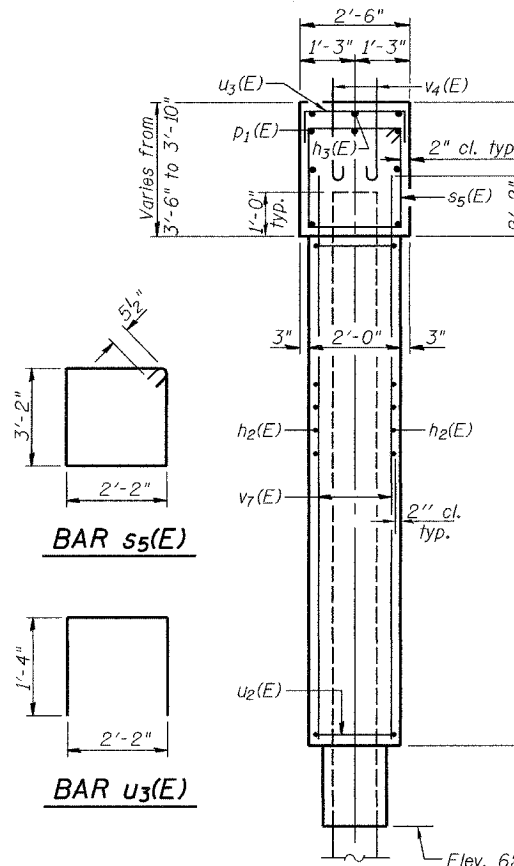
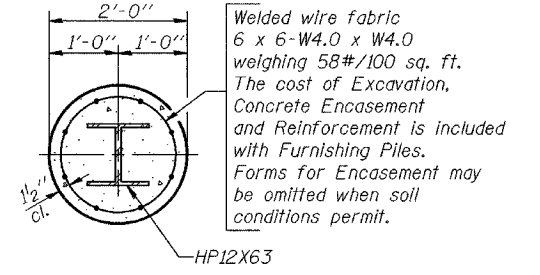
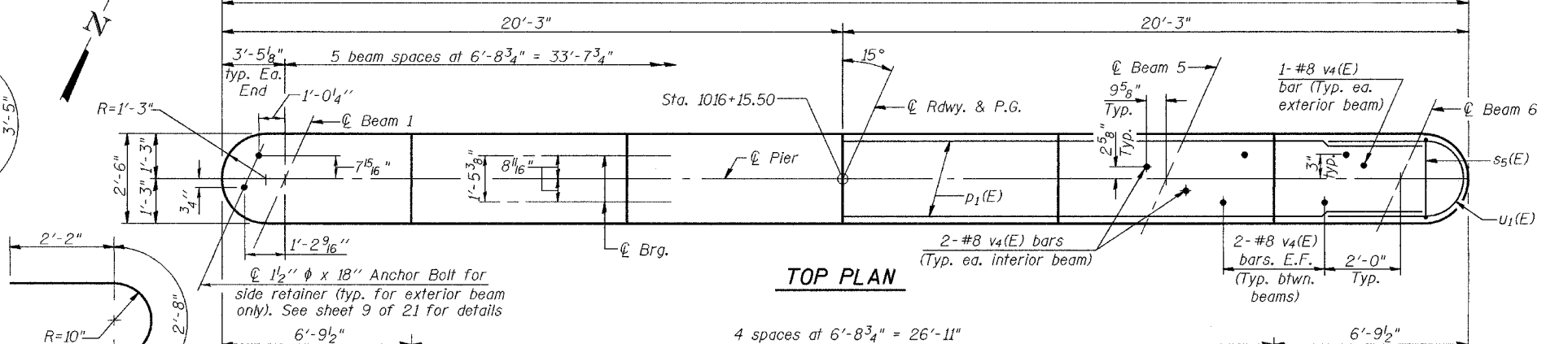
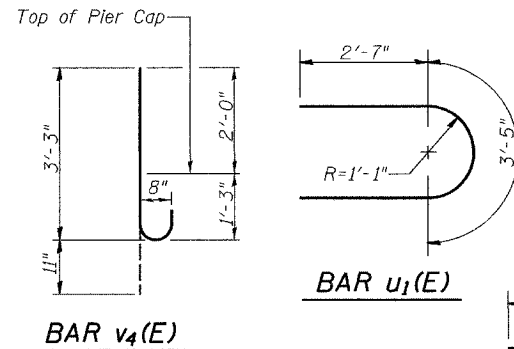


STATE OF ILLINOIS
DEPARTMENT OF TRANSPORTATION

ROUTE NO.	SECTION	COUNTY	PROJECT	SHEET
FAP 836	(119BR) BR	CHAMPAIGN		29
21 SHEETS				
FED. ROAD DIST. NO. 7	BUILDING	FED. AID PROJECT		

Contract # 70355

Notes: Four steps monolithically with cap.
Space reinforcement in cap to miss Anchor Bolts.
For Anchor Bolt installation details see sheet 13 of 21.



PILE ENCASEMENT DETAIL

BILL OF MATERIAL

Bar	No.	Size	Length	Shape
h2(E)	16	#5	38'-0"	
h3(E)	3	#5	6'-5"	
p1(E)	7	#7	38'-0"	
s5(E)	35	#5	11'-7"	□
u1(E)	8	#6	8'-7"	U
u2(E)	16	#5	7'-0"	U
u3(E)	7	#4	4'-10"	U
v4(E)	30	#8	4'-2"	U
v7(E)	84	#5	9'-6"	
Concrete Structures		Cu. Yd.	35.6	
Reinforcement Bars Epoxy Coated		Pound	3030	
Structure Excavation		Cu. Yd.	10	
Furnishing Steel Piles HP 12 x 63		Foot	924	
Driving Steel Piles		Foot	924	
Underwater Structure Excavation Protection Location 3		Each	1	

Reinforcement bars designated (E) shall be epoxy coated.

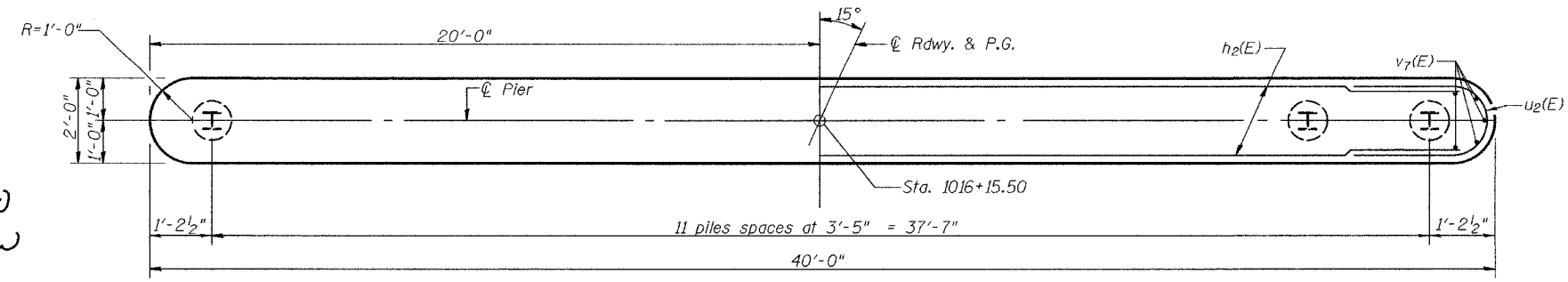
PILE DATA

Type: HP 12 x 63
Design Capacity: 66 Tons Driven to 99 Tons Brg.
Est. Length: 77'
No. Required: 12

DESIGNED	Philip E. Coppernoll
CHECKED	Ray Ahanchi
DRAWN	R. Sommer
CHECKED	P.E.C./G.R.A.

EXAMINED	December 1, 2004	Thomas J. Demagaki
PASSED		Ralph E. Anderson

*Forms shall be placed below Elevation 630.80 after excavation for Pier walls. Reinforcement and Concrete Encasement shall be poured underwater into forms. The cost of Concrete Encasement, Reinforcement, form excavation, and furnishing and placing forms is included with furnishing piles. If a portion of the pier wall is under water, Concrete shall be trimmed under water into forms according to Article 503.08 of the Standard Specifications. Concrete shall be trimmed to an Elevation 1'-0" above the water level at the time of Construction.



SECTION A-A

PIER 3
F.A.P. RT. 836-SECTION (119BR)BR
CHAMPAIGN COUNTY
STATION 1015+21.00
STRUCTURE NO. 010-0280