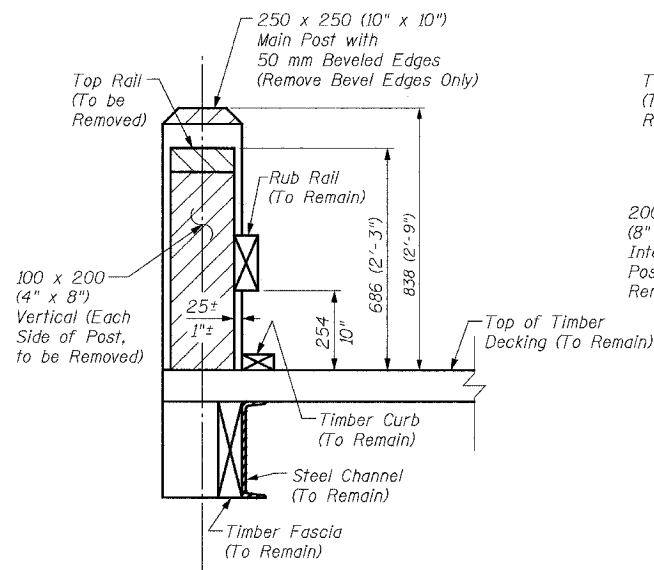
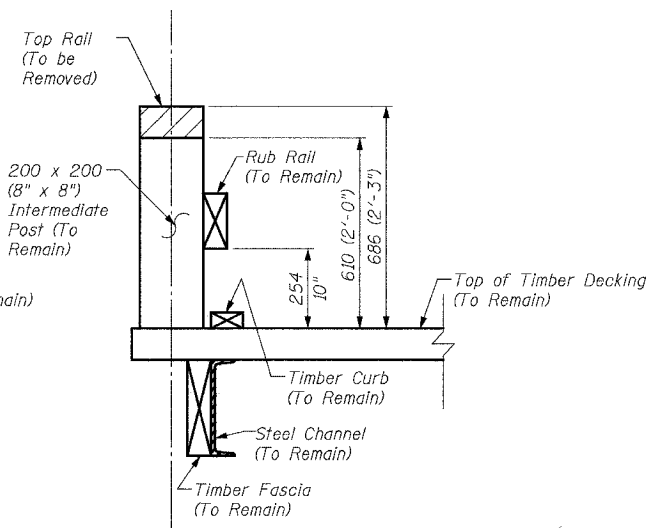


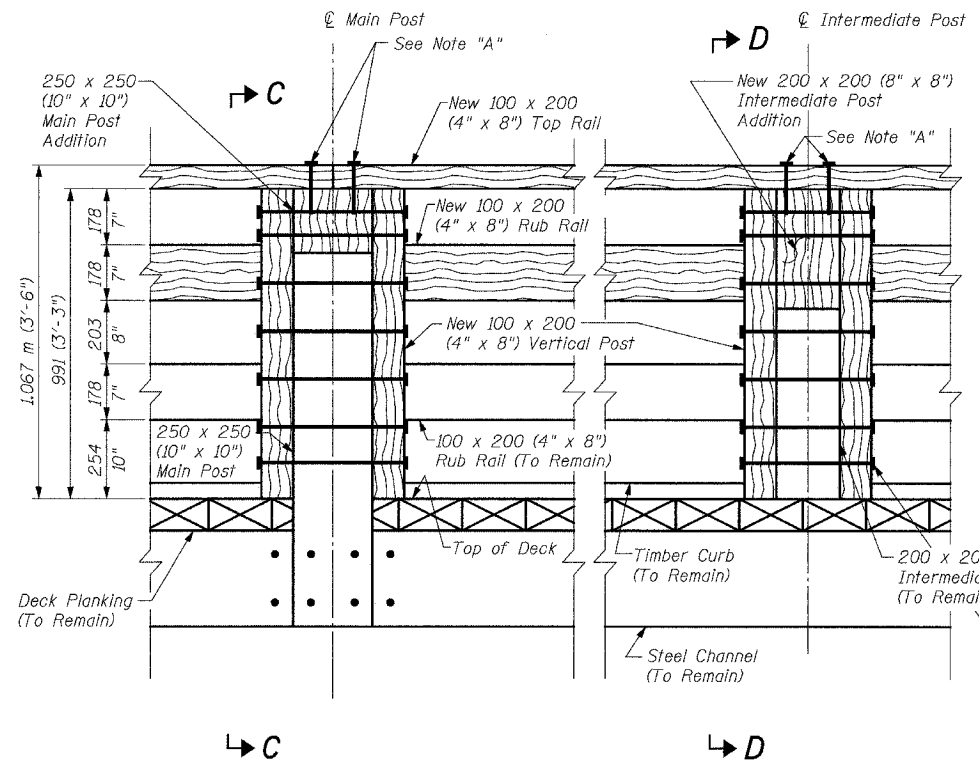
DETAIL 1
(Showing Removal)



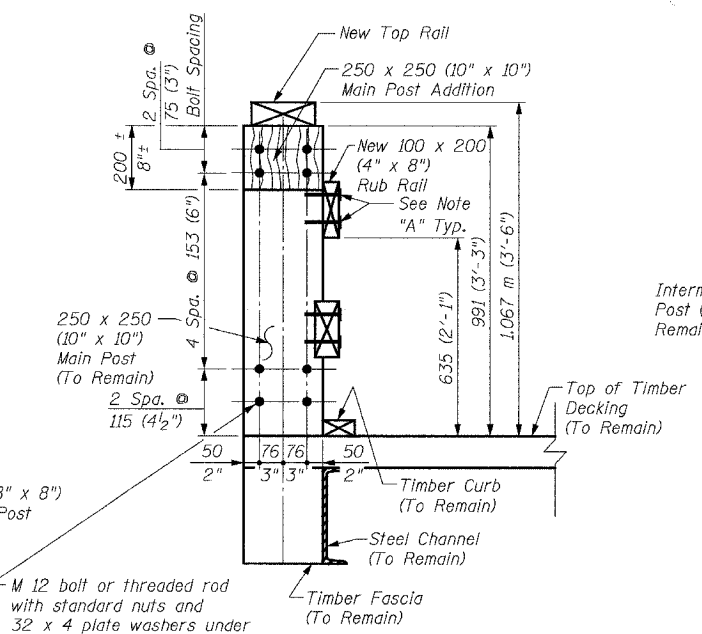
SECTION A-A
(Showing Removal)



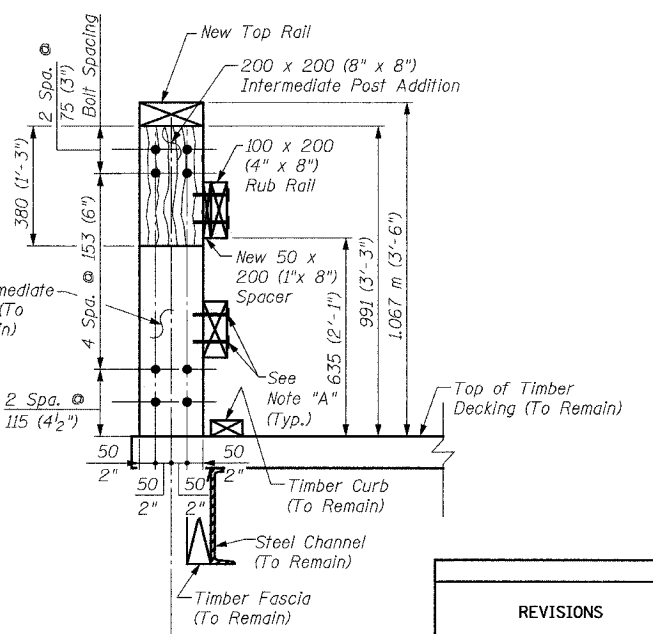
SECTION B-B
(Showing Removal)



DETAIL 2
(Showing New Railing)



SECTION C-C
(Showing New Railing)



SECTION D-D
(Showing New Railing)

Note "A":
Attach top rail and rub rail to intermediate and main posts with 60d galvanized common wire nails with 5 nails per attachment location. Contractor shall pre-drill 3 mm diameter holes to avoid splitting timber.

LEGEND

- Existing Timber Railing to be removed
- New Timber Railing

REVISIONS		NAME	DATE
NO.	DESCRIPTION		

URS	1701 GOLF ROAD, SUITE 1000 ROLLING MEADOWS, IL 60008	TEL (847) 228-0707 FAX (847) 228-1115
	VILLAGE OF ADDISON SALT CREEK GREENWAY TRAIL BRIDGE RAILING STA. 9+464.942 DETAILS	
DATE: 11/03/04	DRAWN BY: MDS	
DESIGNED BY: MDS	CHECKED BY: GAT	