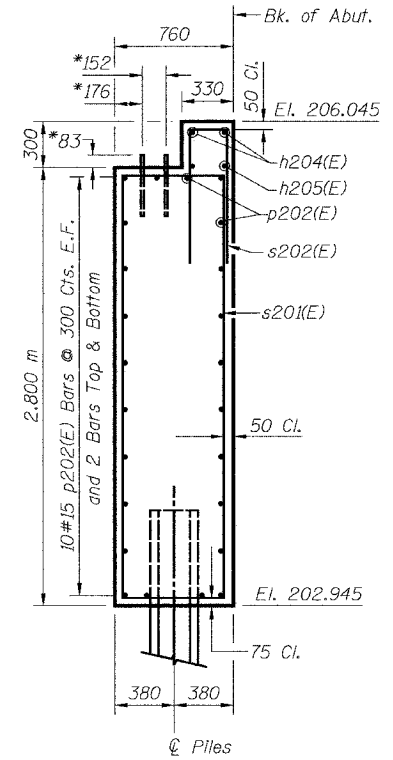


ELEVATION
(West Abutment)



SECTION A-A

BILL OF MATERIAL

| Bar | No. | Size | Length | Shape |
|----------------------------------|-----|------|--------|-------|
| h204(E) | 2 | #15 | 7.78 m | |
| h205(E) | 2 | #15 | 6.07 m | |
| h206(E) | 40 | #15 | 2.41 m | |
| p202(E) | 24 | #15 | 4.55 m | |
| s201(E) | 14 | #15 | 6.94 m | |
| s202(E) | 16 | #15 | 2.53 m | |
| v202(E) | 12 | #15 | 5.39 m | |
| Concrete Structures | | | Cu. M | 13.2 |
| Reinforcement Bars, Epoxy Coated | | | kg | 690 |
| Furnishing Steel Piles HP310x79 | | | Meter | 38 |
| Driving Steel Piles | | | Meter | 38 |
| Test Pile Steel HP310x79 | | | Each | 1 |
| Metal Shoes | | | Each | 2 |
| Structure Excavation | | | Cu. M | 20.9 |

LEGEND

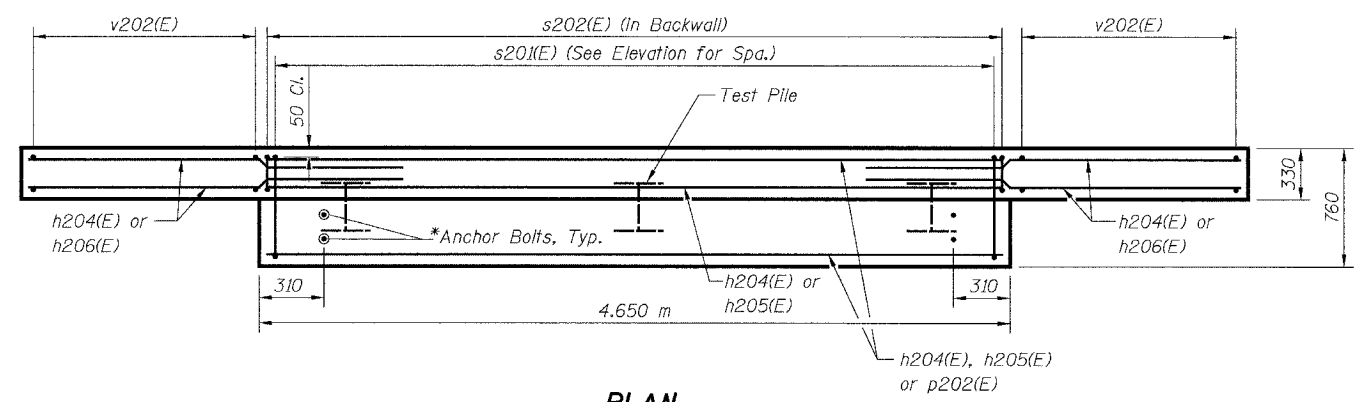
E.F. = Each Face

MIN. BAR LAP
#15 = 890

PILE DATA:

Type: HP310x79
Capacity: Driven to Refusal
Est. Length: 19.0 m
No. Required: 2 + 1 Test Pile

(Test Pile shall be a permanent pile driven at the West Abutment)

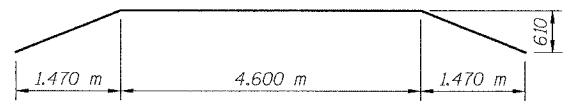


PLAN
(West Abutment)

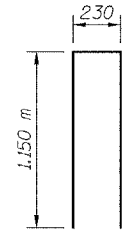
NOTES:

- Space reinforcement in cap to miss anchor bolts.
- All edges shall have standard 20 mm chamfers except as noted.
- For Anchor Bolt Details, see Sheet S27.
- There shall be no splicing of longitudinal bars. Bars shall be ordered full length.
- Bars designated (E) shall be epoxy coated.

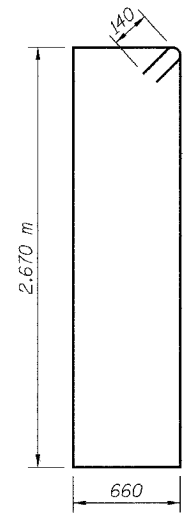
SHEET S9 of S28



BAR h204(E)



BAR s202(E)



BAR s201(E)

| REVISIONS | | NAME | DATE |
|-----------|--|------|------|
| | | | |

URS

1701 GOLF ROAD, SUITE 1000 TEL (847) 228-0707
ROLLING MEADOWS, IL 60008 FAX (847) 228-1115

VILLAGE OF ADDISON
SALT CREEK GREENWAY TRAIL
PEDESTRIAN BRIDGE, STA. 12+535.5
WEST ABUTMENT DETAILS

DATE: 11/03/04
DESIGNED BY: MDS

DRAWN BY: MDS
CHECKED BY: GAT