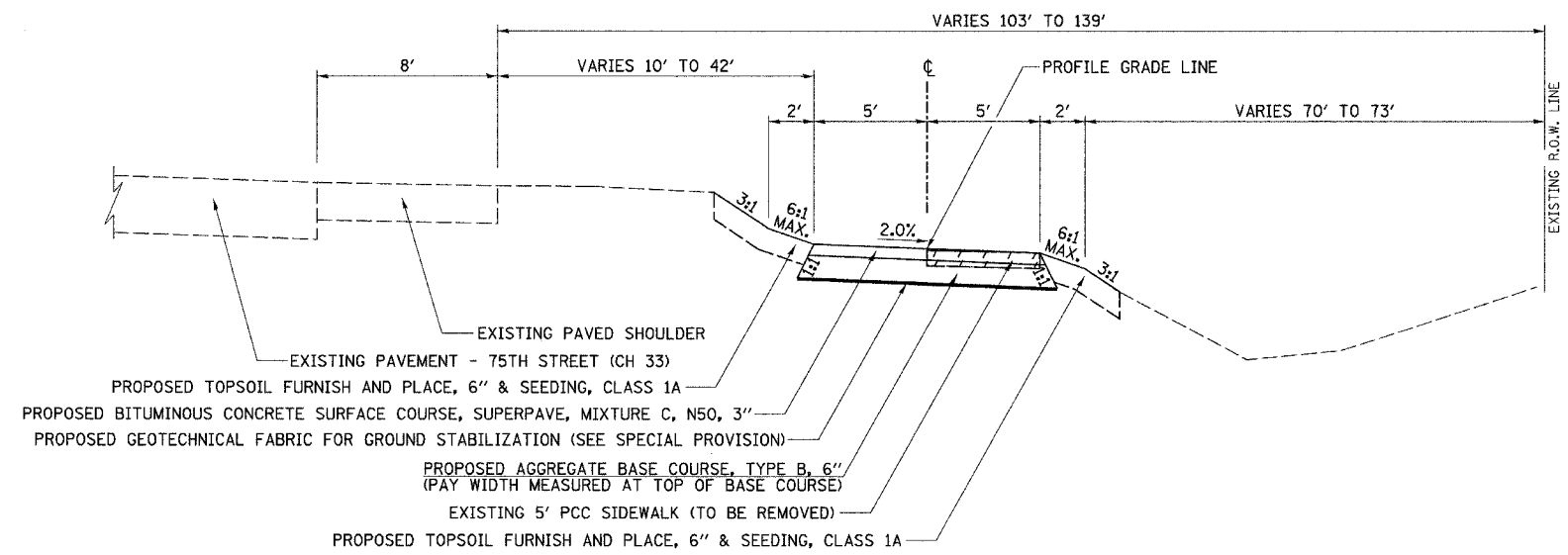
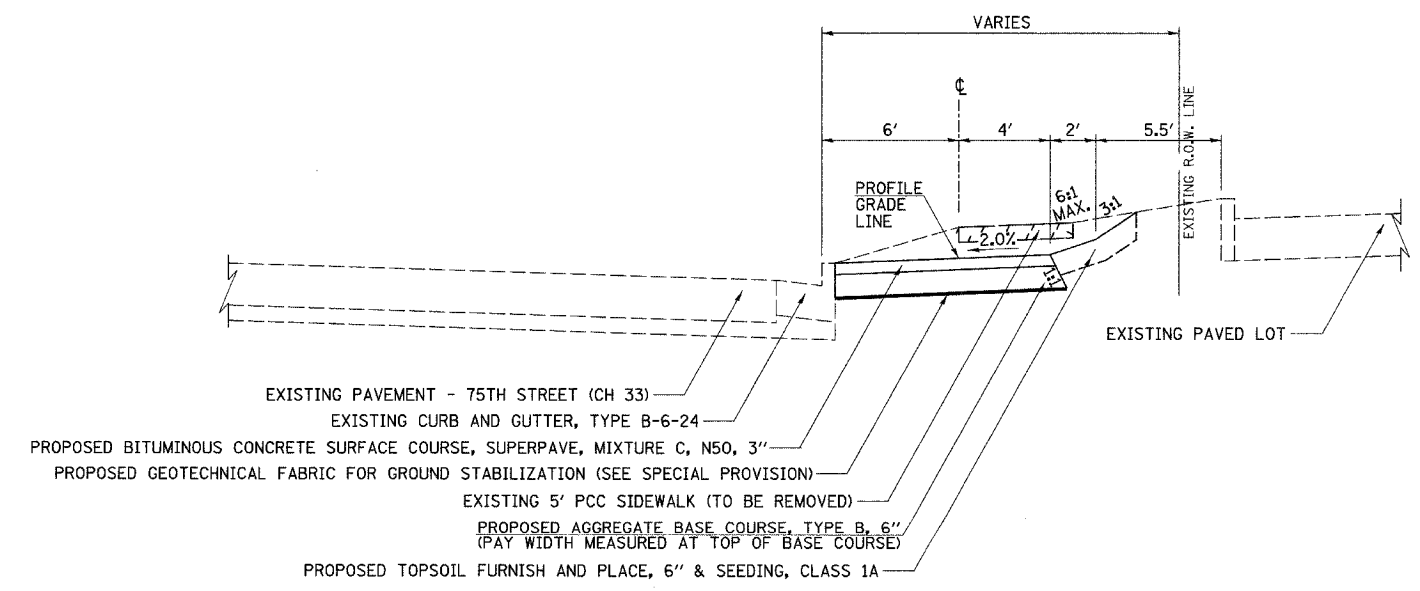


RTE. NO.	SECTION	COUNTY	TOTAL SHEETS	SHEET NO.
• 02-00001-05-BT	DUPAGE	ILLINOIS	113	6
STA. N/A		TO STA. N/A		
FED. ROAD DIST. NO. ILLINOIS FED. AID PROJECT				
*SOUTHERN DUPAGE REGIONAL TRAIL GREENE VALLEY SPUR				
CONTRACT NO. 83775				



**75TH STREET (CH 33)**

STA. 570+75± TO STA. 577+75± (FROM ELEANOR PLACE TO ARLENE AVENUE)



**75TH STREET (CH 33)**

STA. 580+00± TO STA. 600+00± (FROM ILLINOIS ROUTE 83 TO QUINCY STREET)