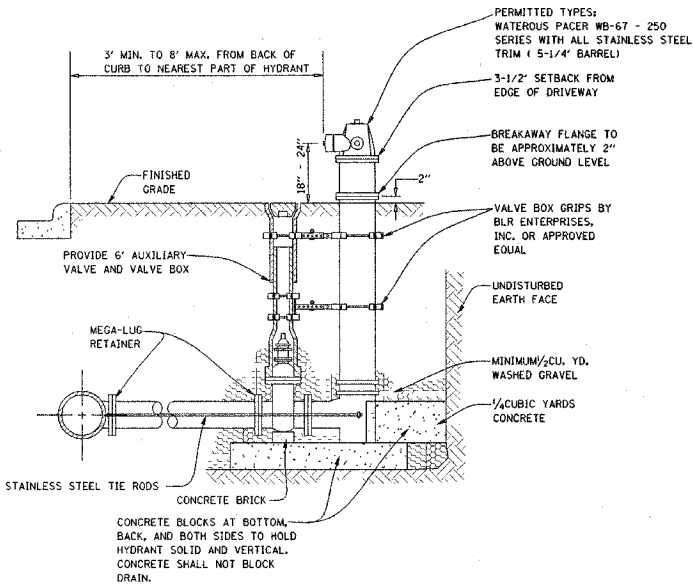


F.A.U. RTE.	SECTION	COUNTY	TOTAL SHEETS	SHEET NO.
2652	00-00069-00-PV	DUPAGE	146	60
STA. 10+70.70	TO STA. 66+16.00			
FED. ROAD DIST. NO.	ILLINOIS	FED. AID PROJECT		
CONTRACT NO. 83781				

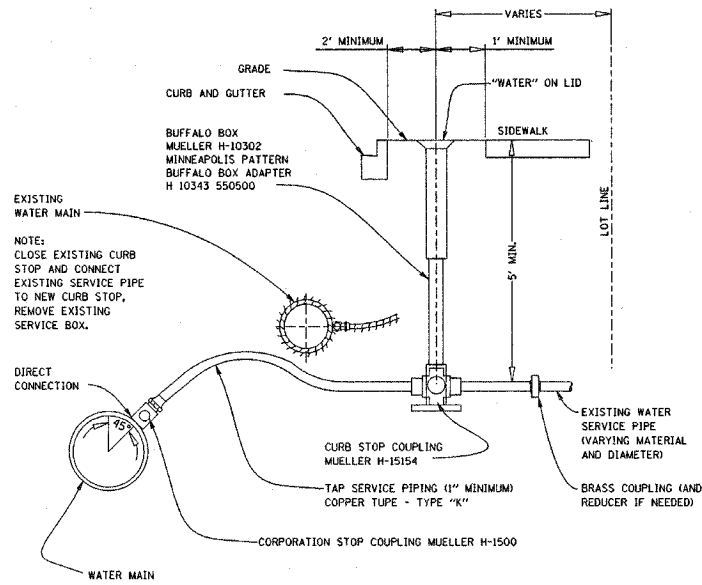


GENERAL NOTES:

1. MAXIMUM BARREL EXTENSIONS ARE 18 INCHES AND SHALL BE WATEROUS EXTENSION FOR WATEROUS HYDRANTS.
2. ALL HYDRANTS ARE TO BE SUPPLIED WITH A 6" FLANGED AND MECHANICAL JOINT AUXILIARY VALVE THAT CONFORMS TO ANWA 500-80. ALL TRIM BOLTS ARE TO BE STAINLESS STEEL.
3. ALL BELOW GRADE FASTENERS TO BE STAINLESS STEEL:
A. BOLTS AND THREADED RODS - GRADE #304
B. NUTS AND WASHERS - GRADE #300
4. MEGA-LUG RETAINERS MUST BE INSTALLED ON ALL MECHANICAL FITTINGS.

NOT TO SCALE

REV: RMS	DATE: JUL 2004	FIRE HYDRANT SETTING	VILLAGE OF VILLA PARK
DRAWN BY: VV	DATE: JAN 2003		WATER - 04

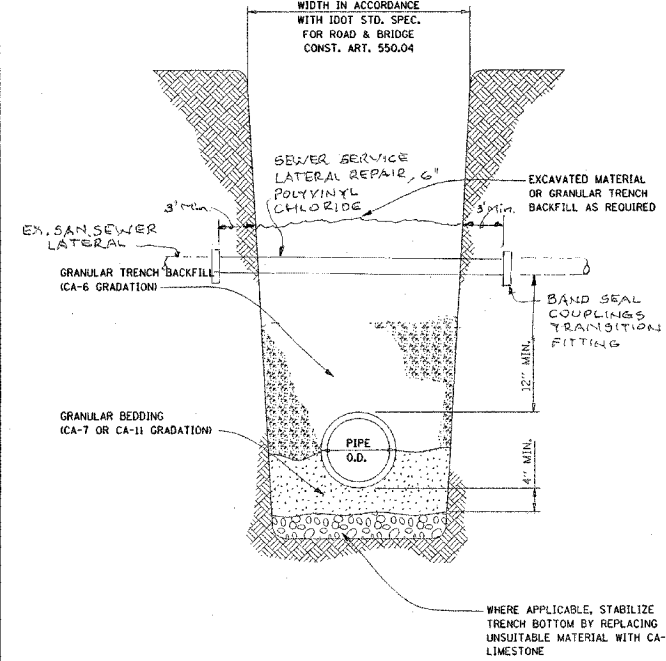


GENERAL NOTES:

1. CURB STOP MUST BE INSTALLED 2 (TWO) FEET MINIMUM FROM THE BACK OF CURB AND 1 (ONE) FOOT FROM THE EDGE OF SIDEWALK.
2. CURB STOP MUST BE INSTALLED PERPENDICULAR TO BUILDING.

NOT TO SCALE

REV: RMS	DATE: JUL 2004	TYPICAL WATER TAP	VILLAGE OF VILLA PARK
DRAWN BY: VV	DATE: JAN 2003		WATER - 12 (MODIFIED)

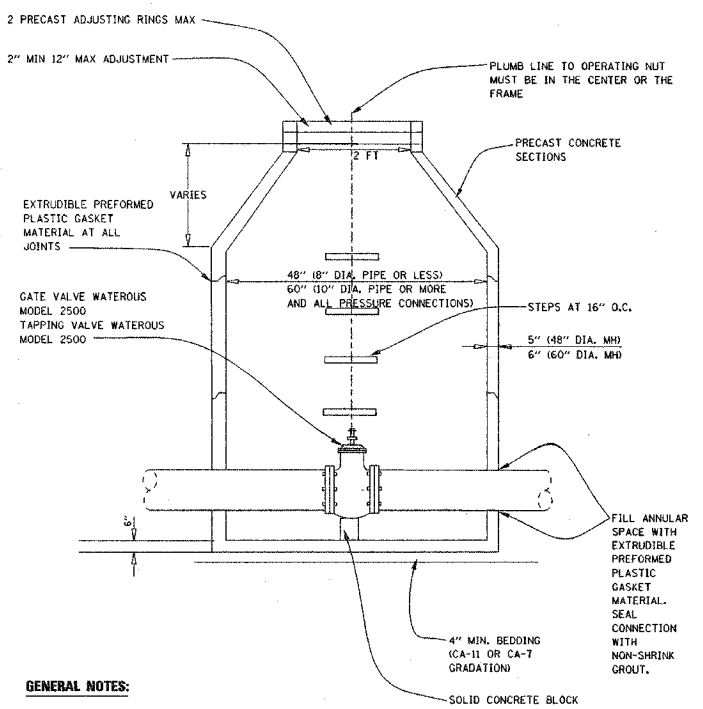


GENERAL NOTES:

1. GRANULAR TRENCH BACKFILL SHALL BE MECHANICALLY COMPACTED IN LAYERS OF 12" MAXIMUM, LOOSE MEASURE, TO 95% OF STANDARD MAXIMUM DENSITY (ASTM D 698)
2. EXCAVATED MATERIAL USED FOR BACKFILL SHALL BE MECHANICALLY COMPACTED IN LAYERS OF 18" MAXIMUM, LOOSE MEASURE, TO 90% OF STANDARD MAXIMUM DENSITY (ASTM D 698)
3. SANITARY SEWER LATERALS SHALL BE REPLACED IN AREAS OF WATERMAIN TRENCHES. WORK SHALL INCLUDE ALL CONNECTIONS, MATERIAL, LABOR AND EXCAVATION AS SHOWN & DIRECTED BY THE ENGINEER. PAID PER LINEAL FOOT.

NOT TO SCALE

REV: RMS	DATE: JUL 2004	PIPE INSTALLATION	VILLAGE OF VILLA PARK
DRAWN BY: VV	DATE: JAN 2003		SANITARY - 08

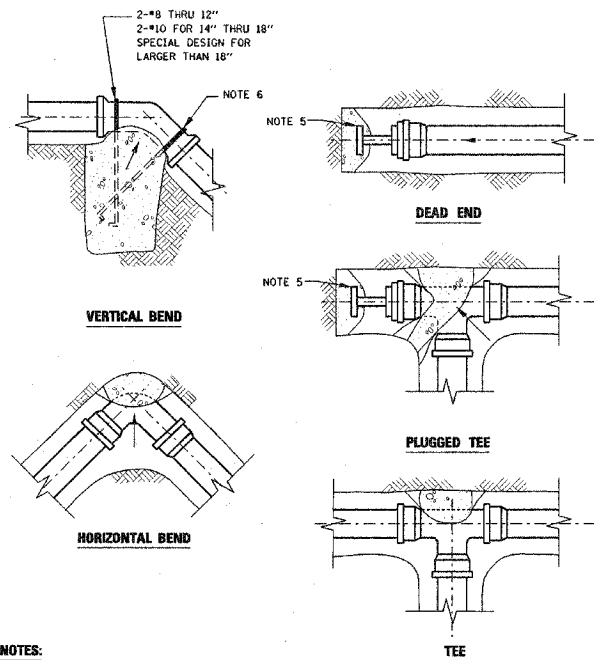


GENERAL NOTES:

1. ALL BELOW GRADE FASTENERS TO BE STAINLESS STEEL:
A. BOLTS AND THREADED RODS - GRADE #304
B. NUTS AND WASHERS - GRADE #300
2. FRAME AND LID:
NEENAH R-1015-2000 FRAME
NEENAH R-1015-2001 SELF SEALING LID
"WATER" TO BE CAST INTO COVER

NOT TO SCALE

REV: RMS	DATE: JUL 2004	WATER VALVE IN VAULT	VILLAGE OF VILLA PARK
DRAWN BY: VV	DATE: JAN 2003		WATER - 14



NOTES:

1. ALL BLOCKS TO BE CLASS B CONCRETE.
2. TO DETERMINE BLOCK SIZE SEE TABLE IN SPECIFICATIONS.
3. ALL BLOCKS TO BEAR AGAINST UNDISTURBED EARTH.
4. ARROWS INDICATE DIRECTION OF THRUST.
5. 3" STANDARD WEIGHT STEEL PIPE W/3/8" X 6 X 0-6 STEEL PLATES.
6. COAT EXPOSED PORTION OF BARS WITH BITUMASTIC COMPOUND.

NOT TO SCALE

STANDARD THRUST BLOCK DETAILS

REV: RMS	DATE: JUL 2004	WATER VALVE IN VAULT	VILLAGE OF VILLA PARK
DRAWN BY: VV	DATE: JAN 2003		WATER - 14



REVISIONS	
NAME	DATE

VILLAGE OF VILLA PARK, ILLINOIS

**SOUTH VILLA AVENUE
UTILITY DETAILS**

SCALE: NONE
DATE: 11-NOV-2004

DRAWN BY: E.D.
CHECKED BY: J.T.G.