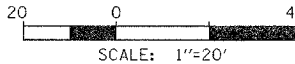
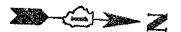
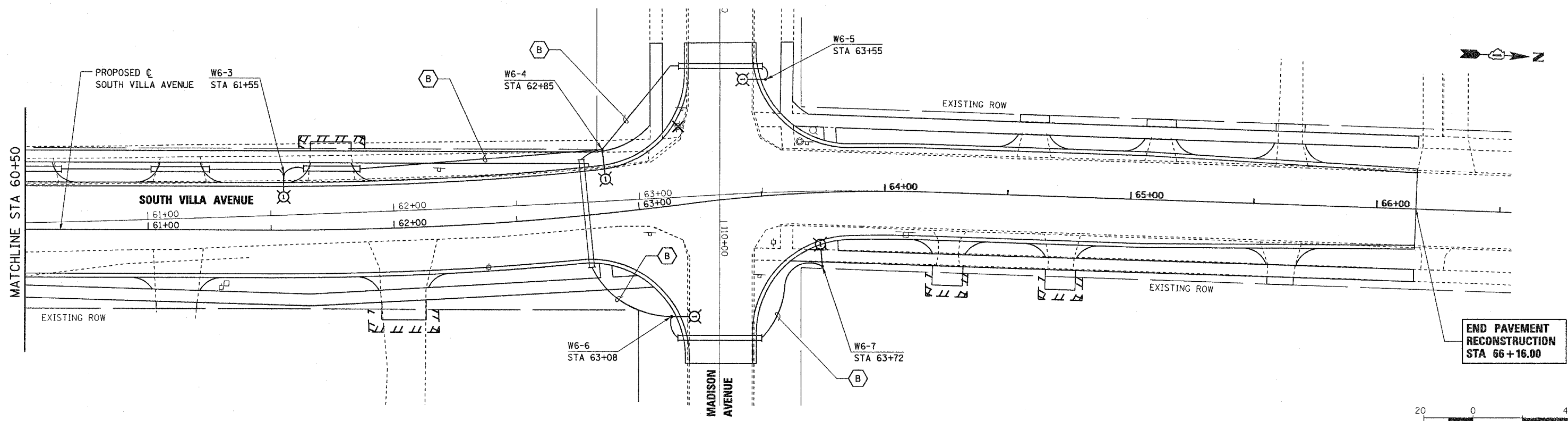
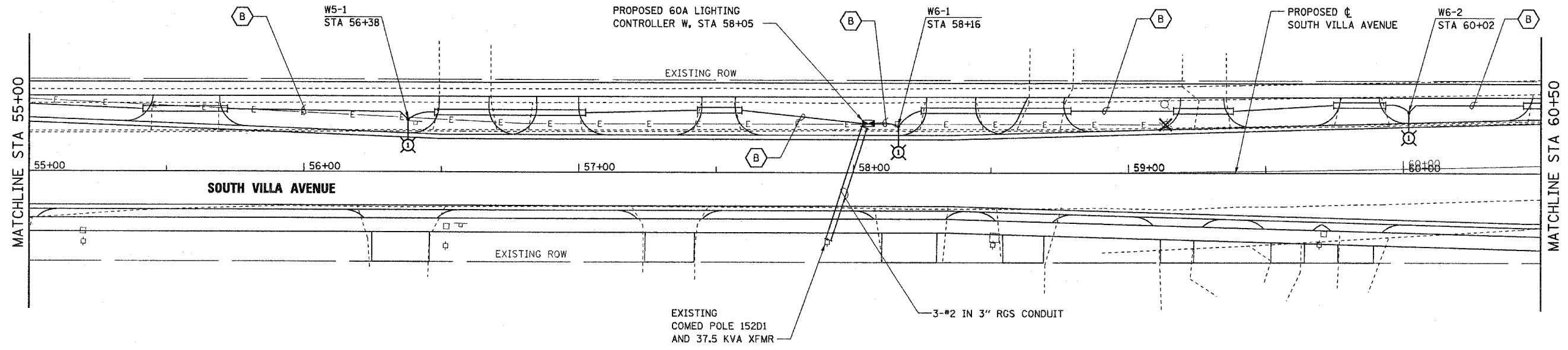
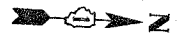


F.A.U. RTE.	SECTION	COUNTY	TOTAL SHEETS	SHEET NO.
2652	00-00069-00-PV	DUPAGE	146	82
STA. 10+70.70		TO STA. 66+16.00		
FED. ROAD DIST. NO.		ILLINOIS FED. AID PROJECT		
CONTRACT NO. 83781				



ERNEST E. LEAF
 062-055760
 STATE OF ILLINOIS
 EXPIRES 11-30-2005
 SIGNATURE AND DATE:

Stanley Consultants INC.
 850 West Higgins Road
 Suite 730
 Chicago, Illinois 60630-2800 Illinois Firm Registration No. 04-00533

REVISIONS	
NAME	DATE

VILLAGE OF VILLA PARK, ILLINOIS
ELECTRICAL PLAN
SOUTH VILLA AVENUE
SHEET 5 OF 5
 STA 55+00 TO STA 66+16
 SCALE: 1"=20'
 DATE: 11-NOV-2004
 DRAWN BY: E.D.
 CHECKED BY: J.T.G.

PLAN
 DESIGNED: _____
 PLOTTED: _____
 NOTE BOOK NO. _____
 ALTERNATE CHECKED: _____
 CAD FILE NAME: _____
 DATE: _____

PROFILE
 DESIGNED: _____
 PLOTTED: _____
 NOTE BOOK NO. _____
 GRADES CHECKED: _____
 STRUCTURE NOTATION: _____
 DATE: _____