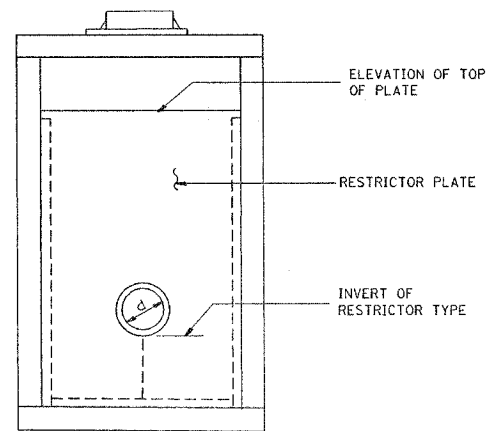
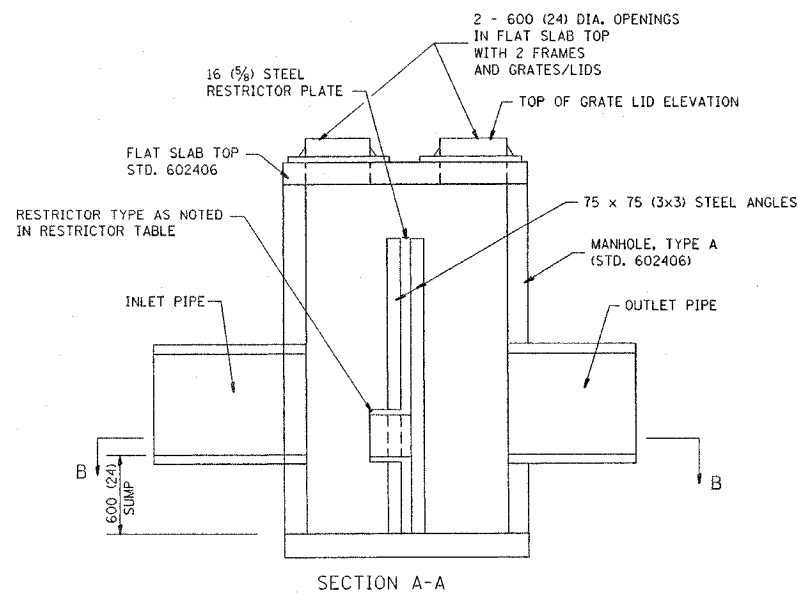


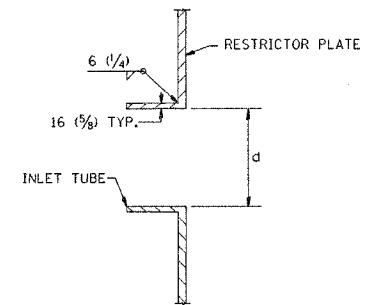
ANGLE FASTENER DETAIL



SECTION C-C

NOTES:

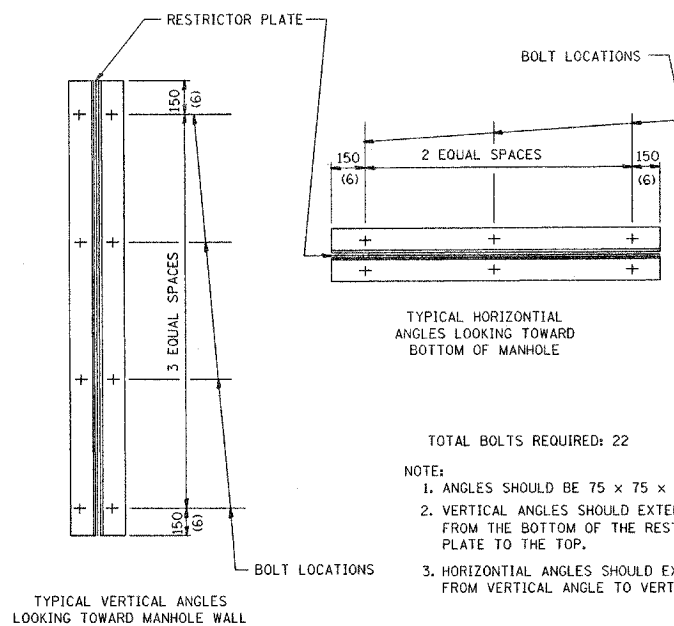
1. ALL STEEL ANGLES AND PLATES TO BE GALVANIZED AFTER FABRICATION.
2. ALL RESTRICTOR PLATES, ANGLES AND HARDWARE TO BE INCLUDED IN THE COST OF THE MANHOLE.



INLET TUBE DETAIL

| STRUCTURE NUMBER | STATION | MANHOLE DIAMETER | FRAME AND GRATE | RESTRICTOR TYPE | INSIDE RESTRICTOR TYPE DIAMETER mm (in.) (d) | INVERT OF RESTRICTOR TYPE | ELEVATION OF TOP OF PLATE OVERFLOW |
|------------------|---------|------------------|-----------------|-----------------|--|---------------------------|------------------------------------|
| 128 | 10+75 | 8 | TIFCL | 2 | 8 | 688.84 | 693.55 |
| 256 | 23+00 | 6 | TIFCL | 2 | 12 | 683.29 | 687.20 |
| 379 | 36+85 | 6 | TIFCL | 2 | 18 | 672.64 | 676.26 |
| 470 | 51+65 | 6 | TIFCL | 2 | 12.25 | 658.43 | 660.59 |
| 472 | 49+00 | 6 | TIFCL | 2 | 8.25 | 658.69 | 662.45 |
| 570 | 53+00 | 6 | TIFCL | 2 | 11.25 | 656.65 | 660.96 |
| | | | | | | | |
| | | | | | | | |
| | | | | | | | |
| | | | | | | | |

BASIS OF PAYMENT: MANHOLE, TYPE A RESTRICTOR PLATE WITH THE FRAME AND GRATE AND DIAMETER SPECIFIED.



| RESTRICTOR TYPE | | | | | |
|-----------------------|-------------|---------------------|--------------------|--------------------|---------|
| 1 | 2 | 3 | 4 | 5 | 6 |
| RE-ENTRANT TUBE | SHARP EDGED | SQUARE EDGED | RE-ENTRANT TUBE | SQUARE EDGED | ROUNDED |
| | | | | | |
| LENGTH: 1/2 TO 1 DIA. | | STREAM CLEARS SIDES | LENGTH: 2-1/2 DIA. | LENGTH: 2-1/2 DIA. | |
| C=.52 | C=.61 | C=.61 | C=.73 | C=.82 | C=.98 |

VALUES OF "C" FOR CIRCULAR AND SQUARE ORIFICES

ALL DIMENSIONS ARE IN MILLIMETERS (INCHES) UNLESS OTHERWISE SHOWN.

ILLINOIS DEPARTMENT OF TRANSPORTATION

MANHOLE WITH RESTRICTOR PLATE

| REVISIONS | |
|-----------|----------|
| NAME | DATE |
| R. SHAH | 09/09/94 |
| R. SHAH | 10/25/94 |
| | |
| | |
| | |

SCALE: NONE

DRAWN BY

DATE **DATE**

CHECKED BY