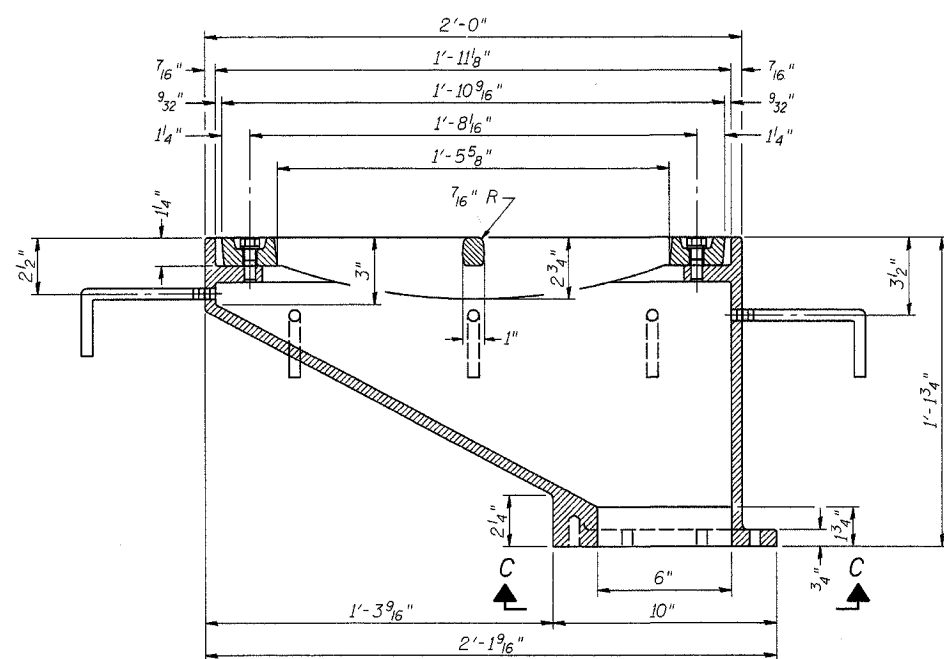
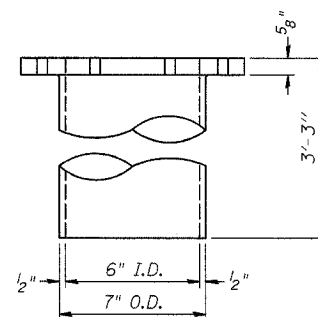
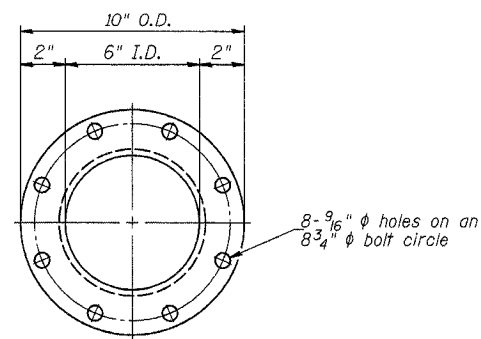


PLAN

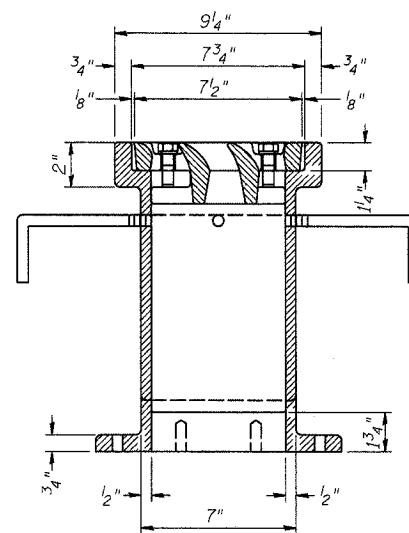


SECTION A-A

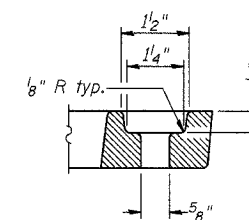
See sheet 7 of 20 for scupper location relative to parapet.



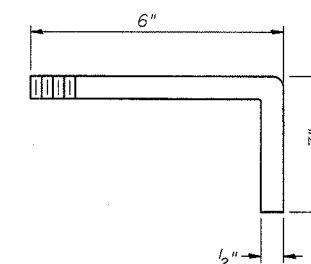
DOWNSPOUT



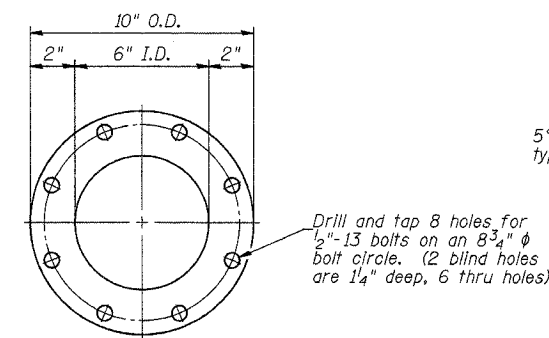
SECTION B-B



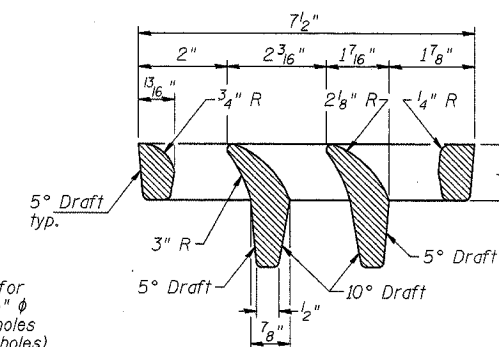
BOLT HOLE DETAIL



ANCHOR STUD DETAIL



VIEW C-C



VANE GRATE DETAIL

Notes: All cast iron parts shall be gray iron conforming to the requirements of AASHTO M 105, Class 35B.
 Bolts, anchor studs, washers and nuts shall conform to the requirements of ASTM A 307 and shall be galvanized according to AASHTO M 232.
 The grate, frame and downspout shall be galvanized according to AASHTO M 111 and ASTM A 385. Downspouts located on the exterior side of a painted steel fascia beam shall be painted with the finish coat specified for the exterior side of the fascia beam.
 As an alternate, bolts, anchor studs, washers and nuts may be stainless steel according to Article 1006.29(d) of the Standard Specifications.
 Structural steel weldments of equal sections and of the same configuration may be substituted for cast iron. Fillet or full penetration welds shall be used for the weldments. Details shall be submitted to the Engineer for approval.
 The Contractor shall take appropriate measures to assure that Protective Coat is not applied to the scupper.
 Cost of the Grate, Frame, Downspout, Anchor Studs, Bolts, Washers and Nuts including complete installation of the scupper shall be paid for at the contract unit price each for Drainage Scupper, DS-12.

BILL OF MATERIAL

ITEM	UNIT	QUANTITY
Drainage Scupper, DS-12	Each	2

DESIGNED	A.J.E. & T.S.H.
CHECKED	M.D.C.
DRAWN	A.J.E. & T.S.H.
CHECKED	M.D.C.

DS-12 8/1/2000

DRAINAGE SCUPPER, DS-12

IL ROUTE 10 OVER I-72
 F.A.I. ROUTE 72 SECTION 74-70HBR
 PIATT COUNTY
 STA. 1421+61.77
 S.N. 074-0007

CUMMINS ENGINEERING CORPORATION

JOB #: 2088
 FILE: 088DS12
 DATE: 5/14/04