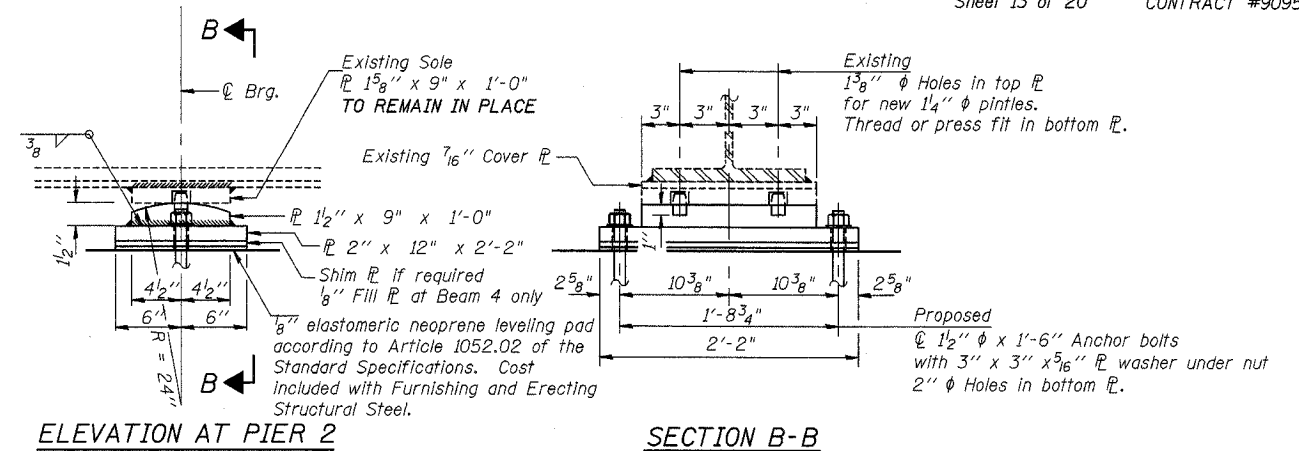
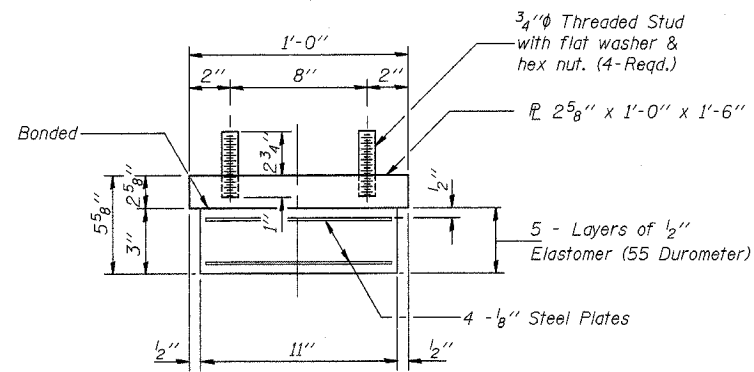


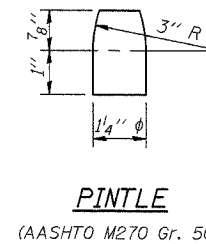
TYPE I ELASTOMERIC EXP. BRG. AT PIERS 1 & 3



FIXED BEARING AT PIER 2



Note: Shim plates shall not be placed
under Bearing Assembly.

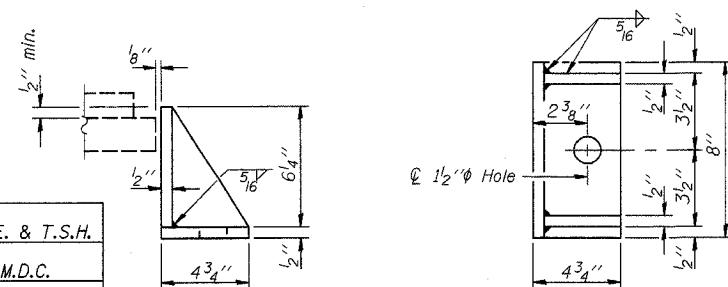


BILL OF MATERIAL

Item	Unit	Total
Elastomeric Bearing Assembly Type 1	Each	12

DESIGNED	A.J.E. & T.S.H.
CHECKED	M.D.C.
DRAWN	A.J.E. & T.S.H.
CHECKED	M.D.C.

I-2-E1 9-01-03



Notes: Diaphragm removal and replacement may be required to
facilitate drilling holes. Cost shall be included with Furnishing
and Erecting Structural Steel.
New side retainers, shim \mathcal{R} 's, connection bolts, and anchor
bolts are included with Furnishing and Erecting Structural Steel.
See Sheet 20 of 20 for Anchor Bolt Installation.
Prior to ordering any material, the Contractor shall verify
in the field all bearing height and shim thickness dimensions.
Anchor bolts at fixed bearings may be built into the masonry.
See Sheet 11 of 20 for Removal of Existing Bearings and
Jacking Existing Superstructure.

BEARING DETAILS

IL ROUTE 10 OVER I-72
F.A.I. ROUTE 72 SECTION 74-70HBR
PIATT COUNTY
STA. 1421+61.77
S.N. 074-0007

CUMMINS ENGINEERING CORPORATION
JOB #: 2088
FILE: 088BRG
DATE: 5/14/04