

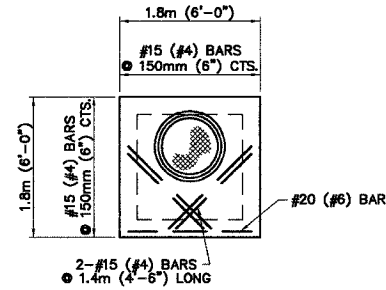
REVISIONS

Sheppard Morgan & Schwaab, Inc.  
CONSULTING ENGINEERS & LAND SURVEYORS  
10 Central Industrial Dr  
Granite City, IL 62040  
215 Vacker Street  
Alton, Illinois 62002  
618/468-9755  
618/877-9700

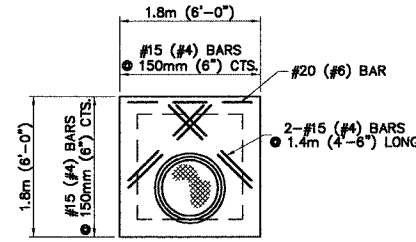


MACOUPIN COUNTY, ILLINOIS  
SECTION 92-00068-01-FP  
FAS ROUTE 735 (SHIPMAN ROAD)  
SPECIAL INLET AND MANHOLE DETAILS

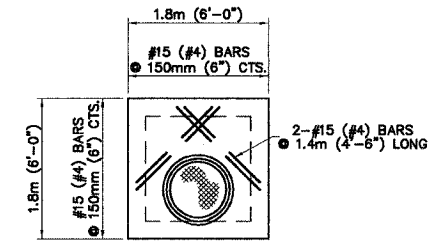
DWG. NO. INLETDET  
COCO FILE  
REF. BK. FAS RTE. 735  
JOB NO. 455048  
DSN. BY: DEG  
DWN. BY: CAD  
CHK. BY: DEG  
DATE: OCTOBER, 2004  
SCALE: NOT TO SCALE  
SHEET 31 OF 58



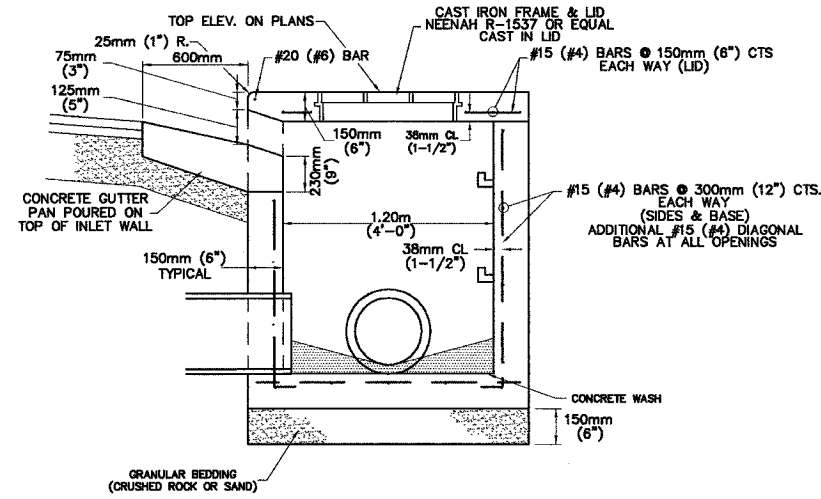
CONCRETE LID  
NOT TO SCALE



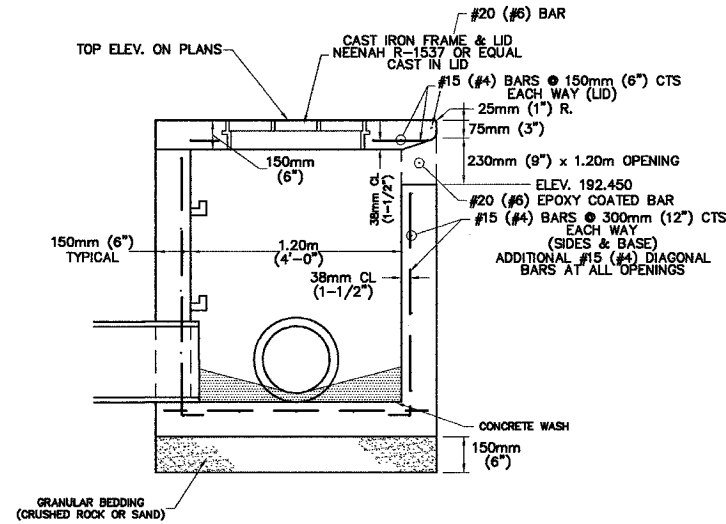
CONCRETE LID  
NOT TO SCALE



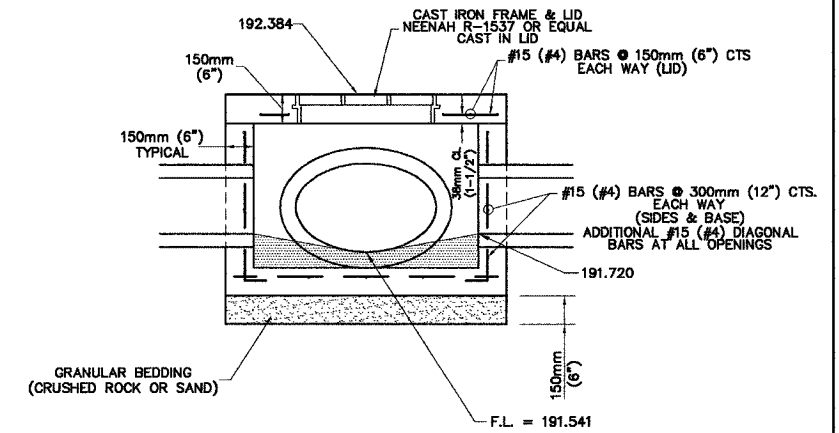
CONCRETE LID  
NOT TO SCALE



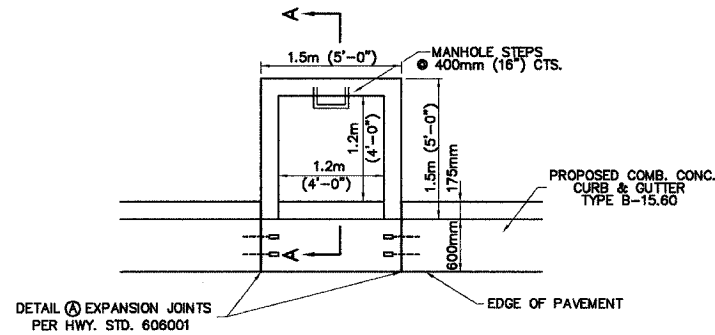
SECTION A-A  
NOT TO SCALE



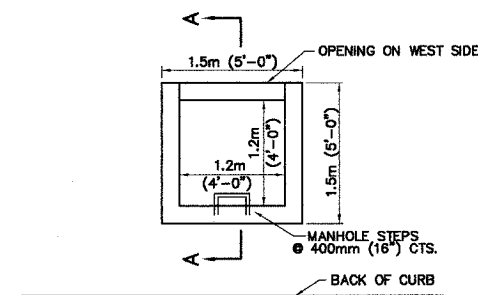
SECTION A-A  
NOT TO SCALE



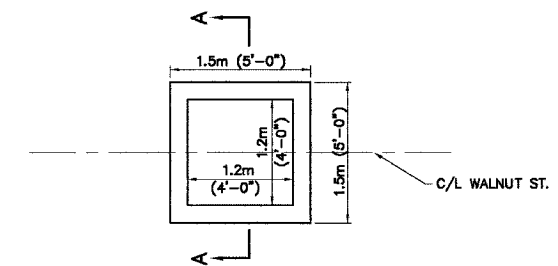
SECTION A-A  
NOT TO SCALE



PLAN  
NOT TO SCALE



PLAN  
NOT TO SCALE



PLAN  
NOT TO SCALE

DETAIL-INLET SPECIAL, NO. 1 AND NO. 2

NOT TO SCALE  
NO. 1 - STA. 7+290, 5.25 LT.  
NO. 2 - STA. 7+328, 5.25 LT.

DETAIL-INLET SPECIAL, NO. 3

NOT TO SCALE  
STA. 7+355.434, 5.75 LT.

DETAIL - MANHOLE, SPECIAL

NOT TO SCALE  
WALNUT ST. STA. 0+084 C/L