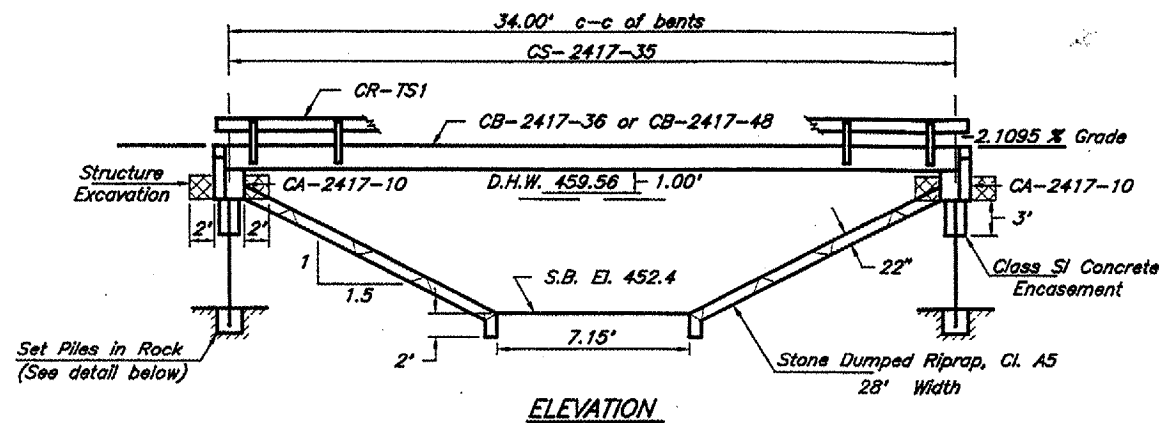


B.M. - RR Spike in 10" Tree
27' Rt. Sta. 27+29
Assumed Elev. 460.54

ROUTE	SECTION	COUNTY	TOTAL SHEETS	SHEET NO.
CH 1	02-00091-00-BR	UNION	11	3
PROJECT NO. BROS-181(17)			CONTRACT NO. 99206	

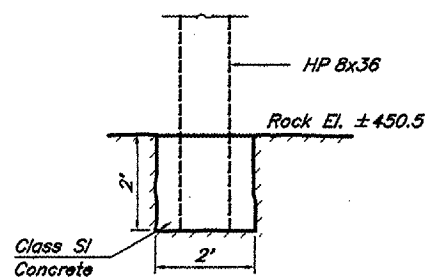
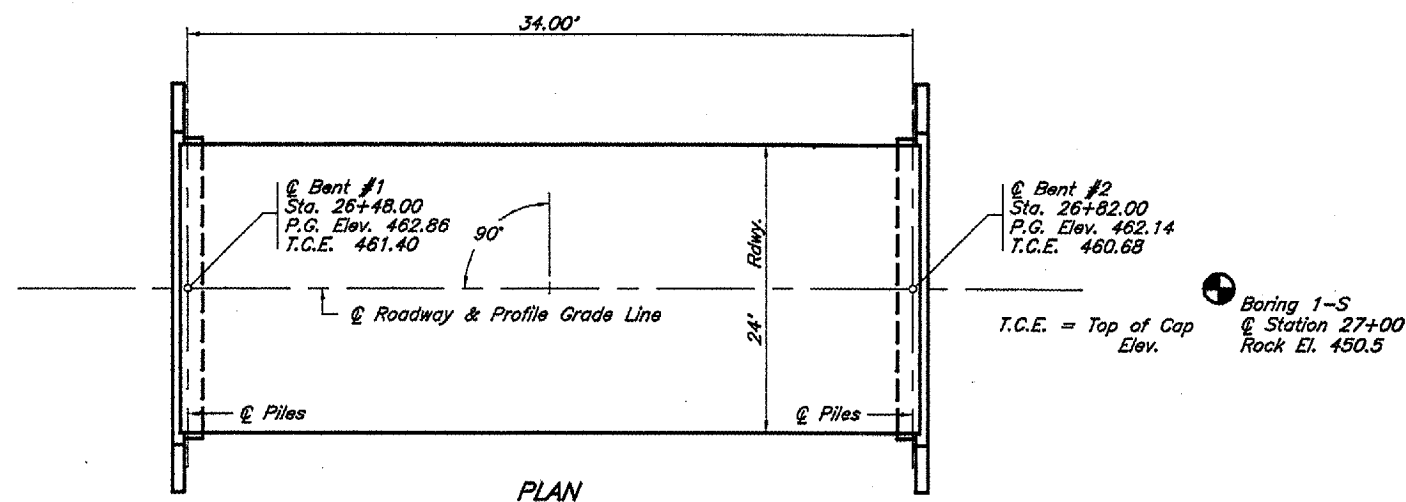


Existing Structure - Timber deck with steel stringers on closed concrete abutments. 14.0' W x 26.3' L.

GENERAL NOTES

- See special provisions for boring logs.
- The Bituminous Concrete Surface Course and the Waterproofing Membrane System shown on the plans shall not be provided.
- The Article or Section numbers referencing the Standard Specifications for Road and Bridge Construction as shown on the standard bridge plan sheets included with the contract plans should be interpreted as referring to the current edition of the Standard Specifications (Adopted January 1, 2002) as shown in the "Article/Section No. Reference Table".

ARTICLE/SECTION NO.	REFERENCE TABLE
Previous No.	Current No.
504.06	504.06
505.04	505.04
706.05	1006.05
706.32	1006.32
760.07	1080.07



SETTING PILES IN ROCK
(See Special Provisions)

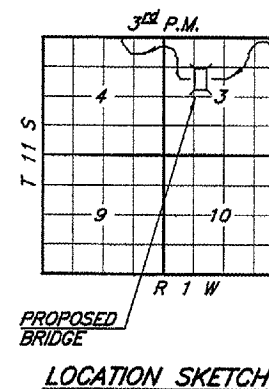
PILE DATA (2-ABUTS.)

Type	Steel HP8x32
Capacity	Set in Rock
Estimated Length	12 Feet
Number Required	8

DESIGN SPECIFICATIONS
1996 AASHTO & Interims
HS 20-44 Loading. Load Factor Design.

TRIBUTARY TO DRURY CREEK
SEC. 02-00091-00-BR BUILT 20
COUNTY UNIT ROAD DISTRICT
UNION COUNTY
LOADING HS20
STR. NO. 091-3218

LETTERING FOR NAME PLATE
Locate Name Plate at southeast
Corner of Bridge (See Std. CN)



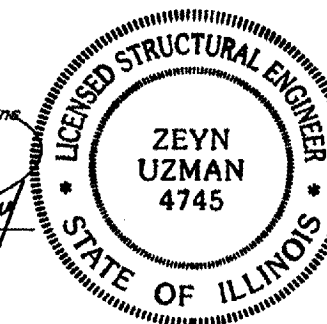
WATERWAY INFORMATION

Drainage Area = 0.950 Sq. Mi.		Low Grade Elev. = 460.71		At Sta. 28+00		
Flood	Freq. Yr.	Q C.F.S.	Opening Sq. Ft.	Natural H.W.E.	Head-Ft.	Headwater El.
			Exist. Prop.	Exist. Prop.	Exist. Prop.	Exist. Prop.
Design	15	1079	132.0 128.0	459.56	0.00 0.00	459.56 459.56
Base	100	1796	132.0 154.2	460.44	0.00 0.00	460.44 460.44
Overtopping	±175	2051		163.1	460.71	
Max. Calc.	500					460.71

TOTAL BILL OF MATERIAL

Item	Unit	Super	Sub.		Total
			Piers	Abuts.	
Removal of Existing Structures	Each				1
Concrete Structures	Cu. Yds.			16.3	16.3
P.P. Conc. Dk. Bm. 17" Dp.	Sq. Ft.	840			840
Steel Railing, Type S1	Foot	70			70
Reinforcement Bars	Pound			1720	1720
Furnishing Steel Piles HP8x36	Foot			96	96
Setting Piles in Rock	Each			8	8
Class SI Concrete Encasement	Cu. Yds.			1.6	1.6
Name Plates	Each			1	1
Structure Excavation	Cu. Yds.				16
Stone Dumped Riprap, Class A5	Tons				120

"I certify these Standard Bridge Plans for foundation treatment only."
Zeyn B. Uzman
S.E. #81-4745
Expires Nov. 30, 2004



GENERAL PLAN & ELEVATION
COUNTY HIGHWAY 1
TRIBUTARY TO DRURY CREEK
SECTION 02-00091-00-BR
UNION COUNTY
STATION 26+65