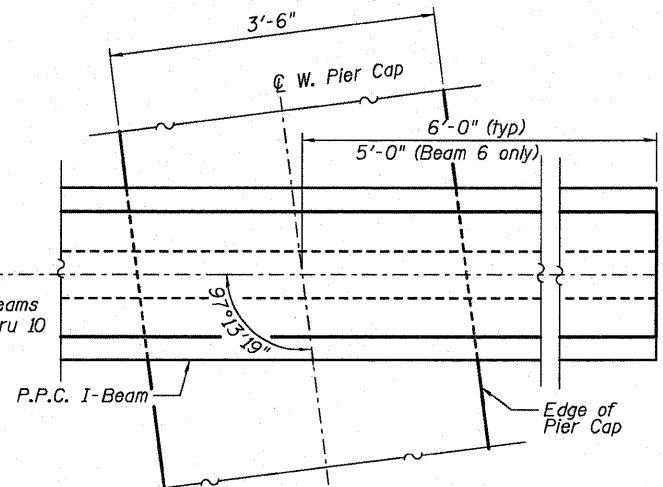
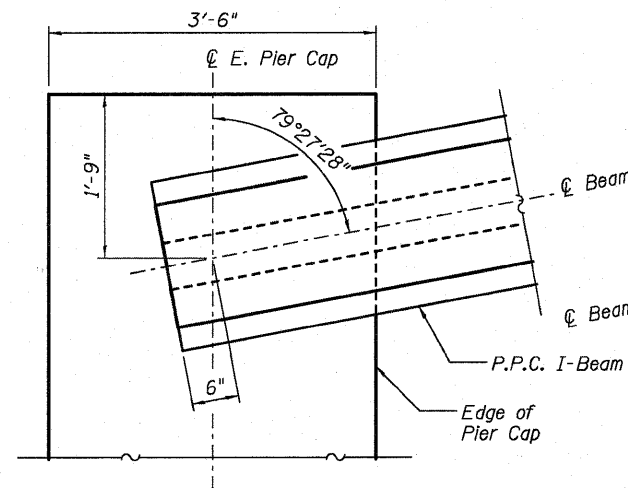


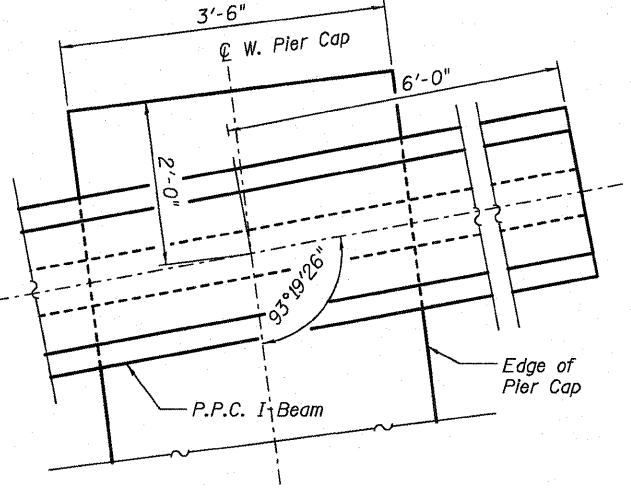
**PLAN OF BEAM AT EAST PIER CAP**  
Beams 2 thru 10



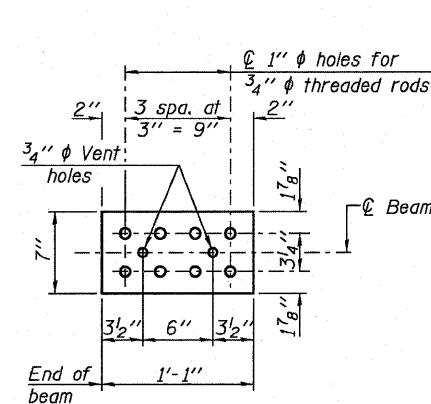
**PLAN OF BEAM AT WEST PIER CAP**  
Beams 2 thru 10



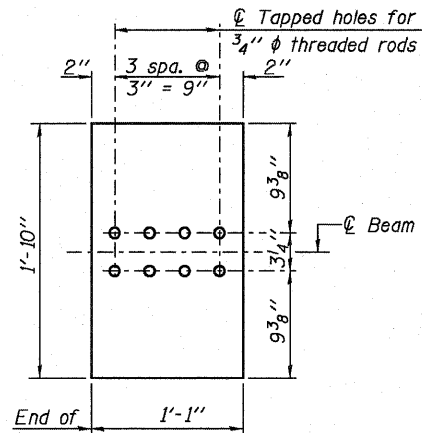
**PLAN OF BEAM AT EAST PIER CAP**  
Beam 1 only



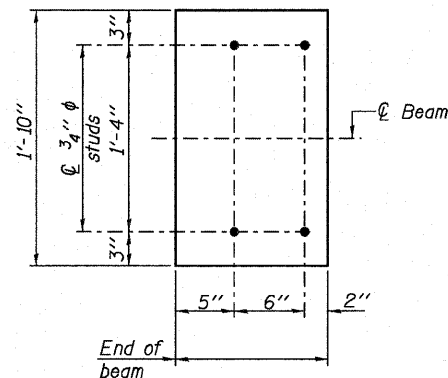
**PLAN OF BEAM AT WEST PIER CAP**  
Beam 1 only



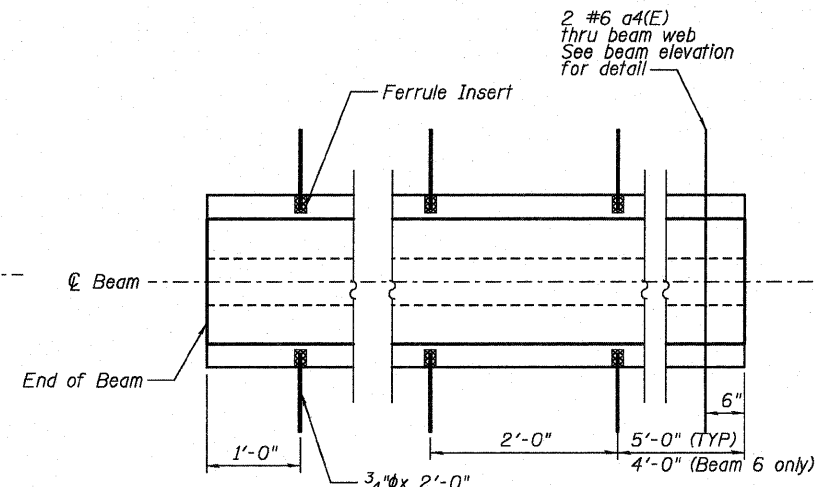
**TOP PLATE**



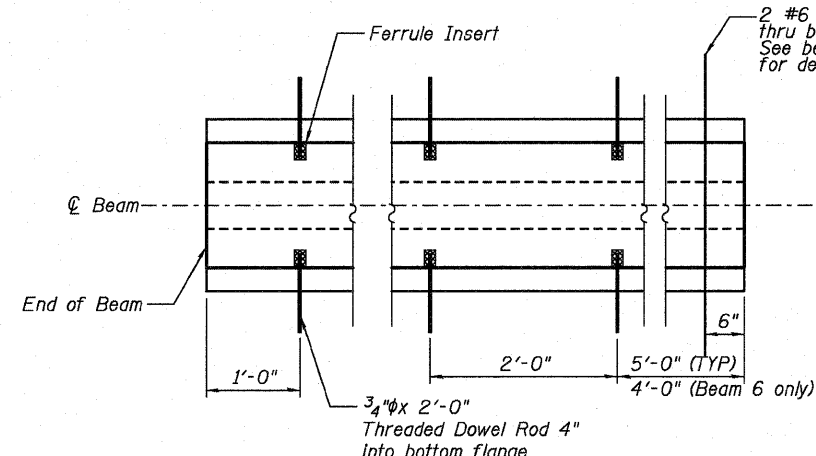
**BOTTOM PLATE**  
(Showing threaded rods)



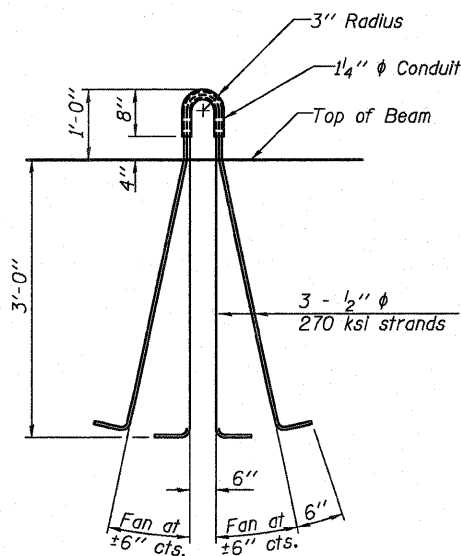
**BOTTOM PLATE**  
(Showing studs)



**DOWEL ROD AT BOTTOM FLANGE**



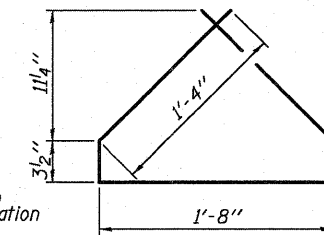
**DOWEL ROD AT TOP FLANGE**



**LIFTING LOOP DETAIL**

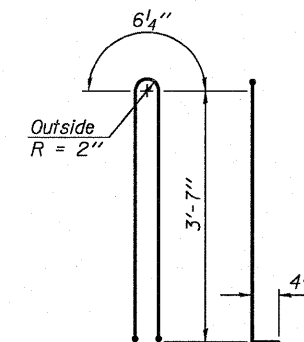
**NOTES**

Inserts for 3/4"  $\phi$  threaded dowel rods, when specified, are to be two strut, ferrule type for interior beams and single ferrule, flared loop type for exterior beams. Prestressing steel shall be uncoated high strength, low relaxation 7-wire strand, Grade 270. The nominal diameter shall be 1/2" and the nominal cross-sectional area shall be 0.153 sq. in. Reinforcement bars shall conform to ASTM A 706, Grade 60. (See Special Provisions). A minimum 2 1/2"  $\phi$  lifting pin shall be used to engage the lifting loops during handling. The top and bottom plates shall be AASHTO M270 Grade 50. The bottom plates and studs shall be galvanized according to AASHTO M111. Top plates and threaded rods need not be galvanized. Threaded rods shall be ASTM F 1554 Grade 55.

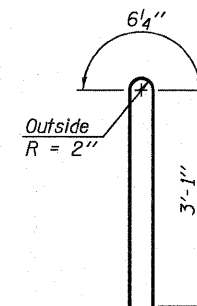


**BAR G5**

**BAR G4**



**BAR G1**



**BAR G2**

**BILL OF MATERIAL**

Item	Unit	Total
Furnishing and Erecting Precast Prestressed Concrete I-Beams, 42"	Foot	350

**BEAM DETAILS**  
**STRUCTURE NUMBER 016-1308**

DESIGNED JW
CHECKED YMM
DRAWN JLS & PS
CHECKED TPG & JXH



SHEET NO. S10	F.A.I. RTE. 90/94	SECTION 2010-075-I	COUNTY COOK	TOTAL SHEETS 33	SHEET NO. 19
S19 SHEETS	DATE: 12-03-10		ILLINOIS FED. AID PROJECT		
CONTRACT NO. 60L61					