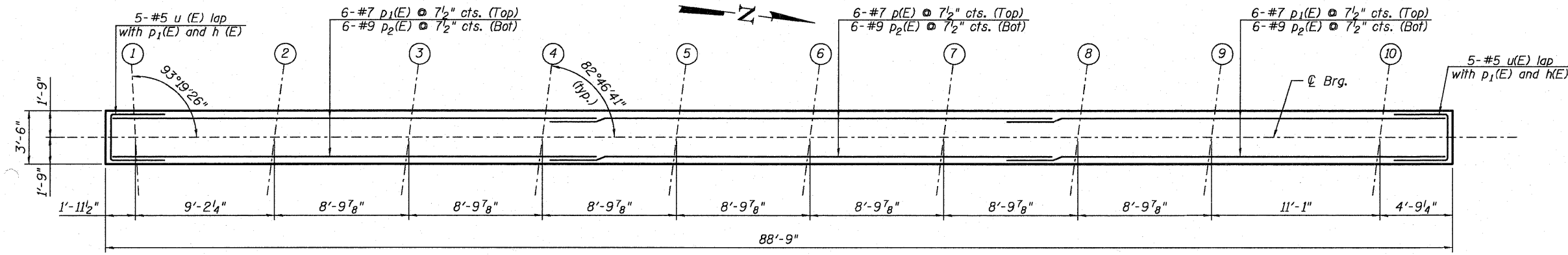


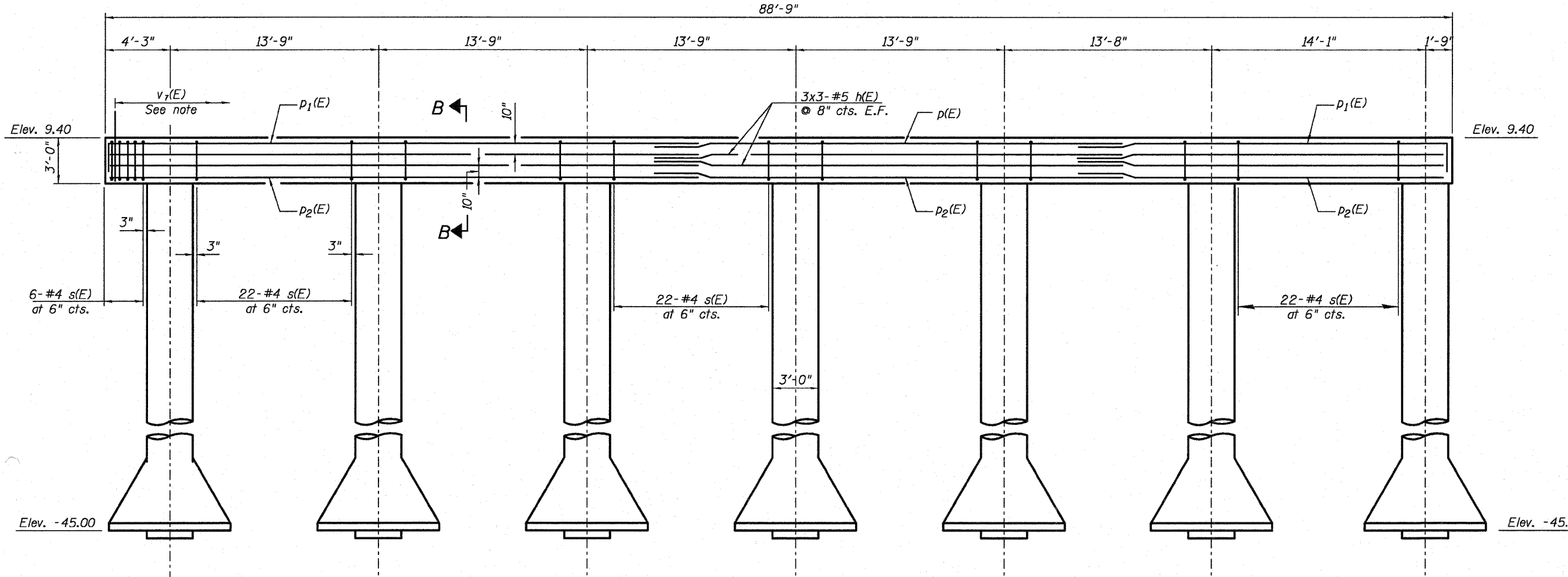
**WEST PIER
BILL OF MATERIAL**

Bar	No.	Size	Length	Shape
h(E)	18	#5	31'-8"	—
p(E)	6	#7	33'-0"	—
p ₁ (E)	12	#7	35'-8"	└
p ₂ (E)	18	#9	35'-4"	—
s(E)	138	#4	12'-4"	□
* sp(E)	7	#5	26'-0"	⋈
* sp ₁ (E)	7	#5	28'-0"	⋈
u(E)	10	#5	9'-2"	□
v(E)	224	#8	31'-6"	—
v ₁ (E)	112	#8	14'-0"	—
v ₇ (E)	158	#5	5'-4"	└
Concrete Structures		Cu. Yd.	34.5	
Reinforcement Bars, Epoxy Coated		Pound	29,570	
Drilled Shaft in Soil		Cu. Yd.	114.8	

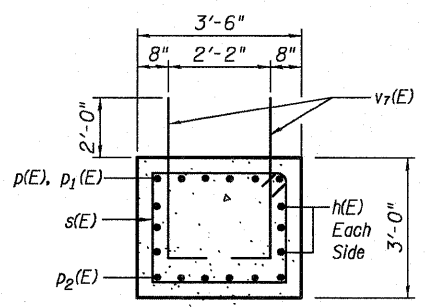
* Length is height of spiral



TOP PLAN



ELEVATION

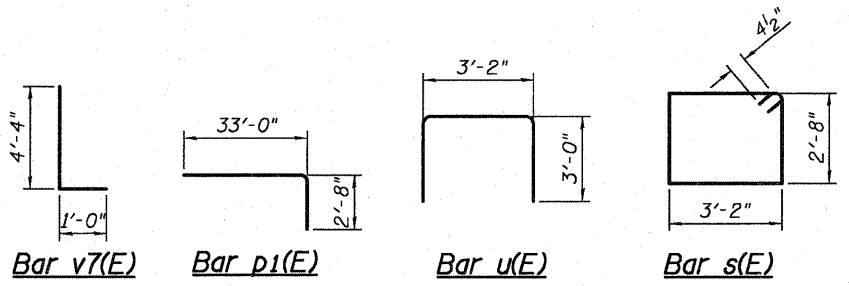


SECTION B-B

NOTES:

See Diaphragm elevations on Sheet S8 of S19 for location and spacing of v₇(E).
See Sheet S11 for Drilled Shaft reinforcement details.

DESIGNED JW
CHECKED YMM
DRAWN JLS & PS
CHECKED TPG & JXH



MIN. BAR LAP

- #5 = 3'-3"
- #6 = 3'-10"
- #7 = 5'-2"
- #8 = 6'-9"

**WEST PIER DETAILS
STRUCTURE NUMBER 016-1308**

SHEET NO. S12	F.A.I. RTE.	SECTION	COUNTY	TOTAL SHEETS	SHEET NO.
	90/94	2010-075-I	COOK	33	21
S19 SHEETS	CONTRACT NO. 60L61				
DATE: 12-03-10		ILLINOIS FED. AID PROJECT			