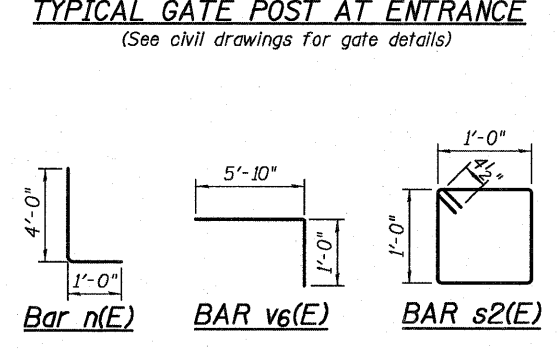
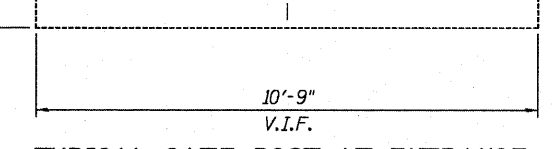
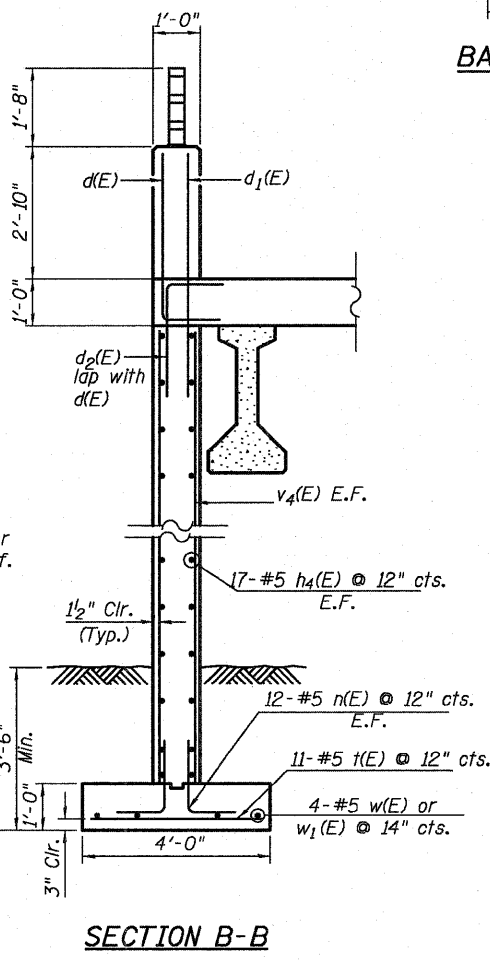
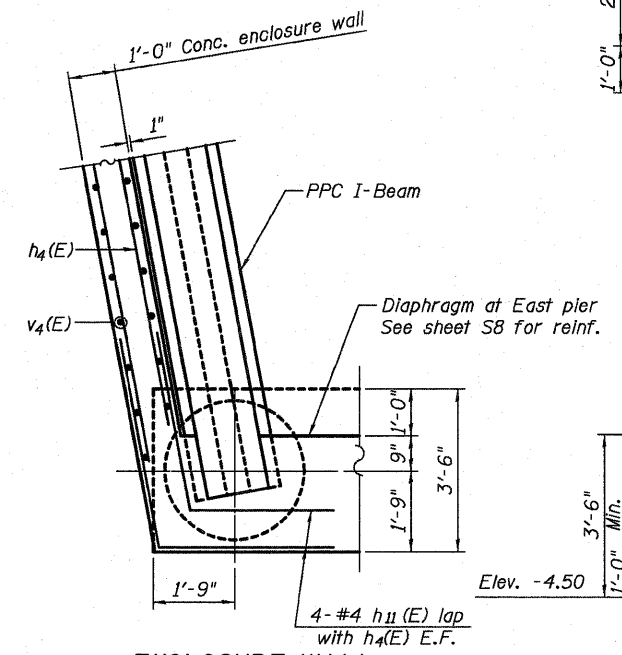


**SUBSTRUCTURE BILL OF MATERIAL**

Bar	No.	Size	Length	Shape
h <sub>4</sub> (E)	34	#5	8'-0"	—
h <sub>5</sub> (E)	34	#5	4'-6"	—
h <sub>7</sub> (E)	6	#5	13'-6"	—
h <sub>8</sub> (E)	2	#5	12'-3"	—
h <sub>9</sub> (E)	2	#5	39'-6"	—
h <sub>10</sub> (E)	32	#5	42'-3"	—
h <sub>11</sub> (E)	8	#5	6'-0"	—
h <sub>12</sub> (E)	8	#5	7'-0"	—
h <sub>13</sub> (E)	8	#5	6'-0"	—
n (E)	24	#5	5'-0"	—
t (E)	11	#5	3'-6"	—
t <sub>1</sub> (E)	32	#5	3'-8"	—
s <sub>2</sub> (E)	48	#4	4'-9"	□
v <sub>4</sub> (E)	24	#5	18'-10"	—
v <sub>5</sub> (E)	88	#5	14'-2"	—
v <sub>6</sub> (E)	32	#5	6'-10"	—
v <sub>7</sub> (E)	16	#5	5'-4"	—
w(E)	4	#5	9'-0"	—
w <sub>1</sub> (E)	4	#5	4'-0"	—
w <sub>2</sub> (E)	32	#5	3'-8"	—
Concrete Structures		Cu. Yd.	26.2	
Reinforcement Bars, Epoxy Coated		Pound	4910	
Bar Splicers		Each	51	



**Note:**  
See Sheet S11 for location of Section B-B.



**ENCLOSURE WALL CONNECTED TO DRILLED SHAFT**

**ENCLOSURE WALL CONNECTED TO DIAPHRAGM WALL**

**SUBSTRUCTURE DETAILS  
STRUCTURE NUMBER 016-1308**

DESIGNED	JW
CHECKED	YMM
DRAWN	JLS & PS
CHECKED	TPG & JXH



SHEET NO. S/4	F.A.I. RTE.	SECTION	COUNTY	TOTAL SHEETS	SHEET NO.
	90/94	2010-075-I	COOK	33	23
S/9 SHEETS	DATE: 12-03-10		ILLINOIS FED. AID PROJECT		
			CONTRACT NO. 60L61		