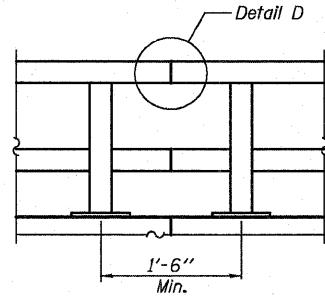
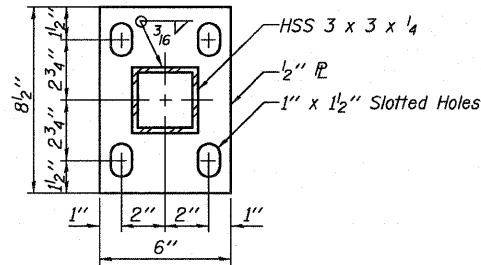


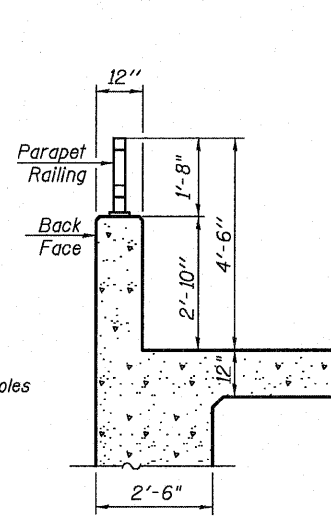
**PARAPET RAILING
ELEVATION**
(Inside Face of Two Element Rail)



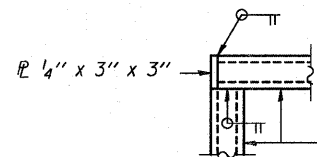
**PARAPET RAILING
ELEVATION AT EXPANSION JOINT**
(Two Element Rail Shown - Three Element Rail Similar)



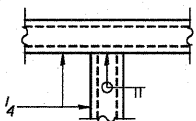
BASE PL



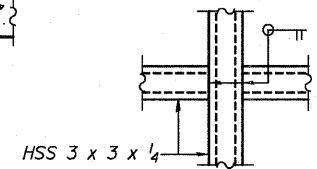
SECTION THRU DECK



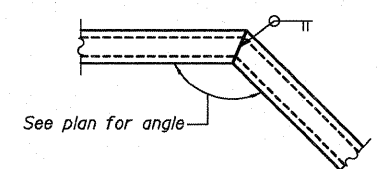
DETAIL A



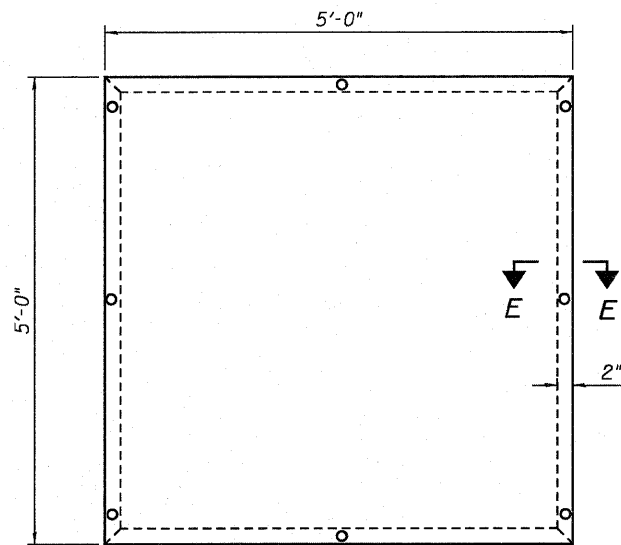
DETAIL B



DETAIL C

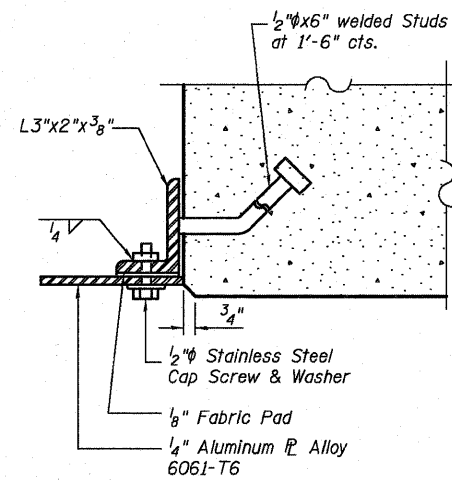


DETAIL D
(See plan for angle and location)

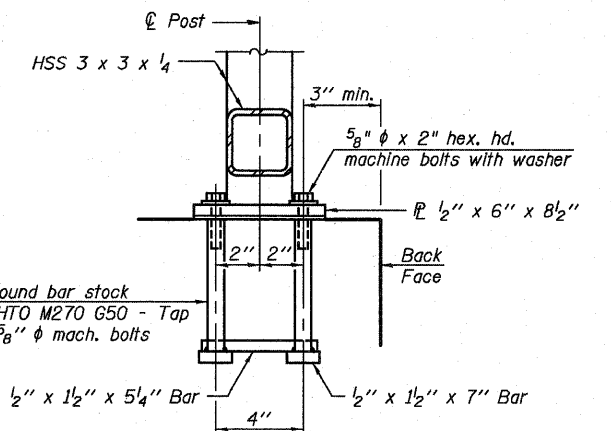
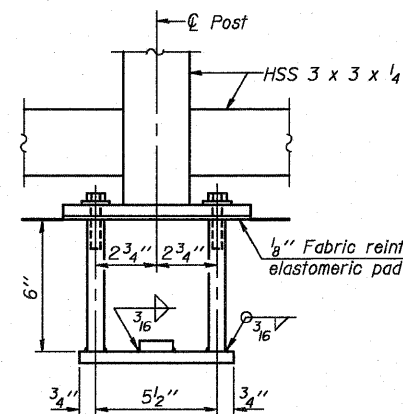


INSPECTION ACCESS DOOR ELEVATION

Cost of door and frame are included with "Concrete Structures"



SECTION E-E



ANCHOR BOLT DETAILS

In lieu of the cast-in-place anchor device shown, the Contractor has the option of drilling and setting 5/8" ϕ anchor rods according to Article 509.06 of the Standard Specifications. Embedment shall be according to the manufacturer's specifications.

BILL OF MATERIAL

Item	Unit	Quantity
Parapet Railing	Foot	138

DESIGNED	JW
CHECKED	YMM
DRAWN	JLS & PS
CHECKED	TPG & JXH



**RAILING DETAILS
STRUCTURE NUMBER 016-1308**

SHEET NO. S16	F.A.I. RTE.	SECTION	COUNTY	TOTAL SHEETS	SHEET NO.
S19 SHEETS	90/94	2010-075-I	COOK	33	25
DATE: 12-03-10			ILLINOIS FED. AID PROJECT		
CONTRACT NO. 60L61					