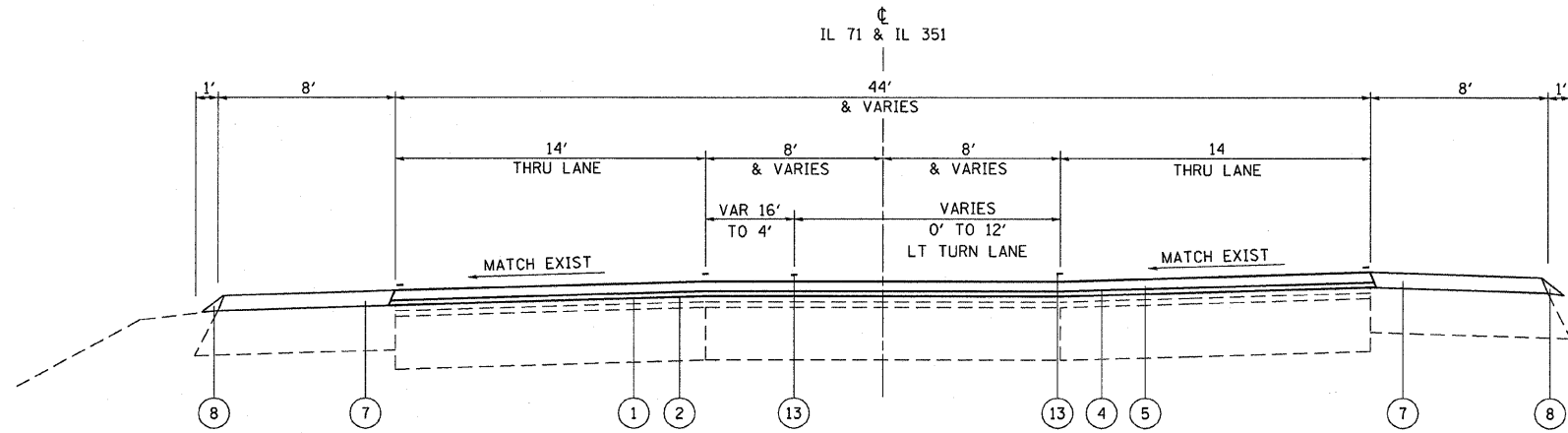


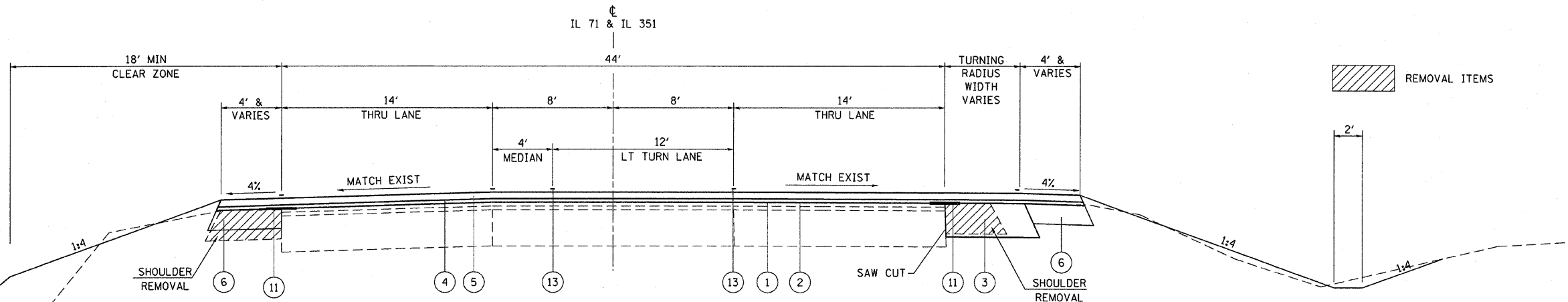
F.A.P. RTE.	SECTION	COUNTY	TOTAL SHEETS	SHEET NO.
619	70 RS-5 & I	LASALLE	214	11
STA.		TO STA.		
FED. ROAD DIST. NO. 3		ILLINOIS FED. AID PROJECT		

PROPOSED LEGEND

- ① PROPOSED BITUMINOUS MATERIALS (PRIME COAT)
- ② PROPOSED AGGREGATE PRIME COAT
- ③ PROPOSED HOT-MIX ASPHALT BASE COURSE, 10 1/2"
- ④ PROPOSED LEVELING BINDER (MACHINE METHOD) N70, 3/4"
- ⑤ PROPOSED HOT-MIX ASPHALT SURFACE COURSE, MIX "D", N70, 1 1/2"
- ⑥ PROPOSED HOT-MIX ASPHALT SHOULDERS, 5 3/4"
- ⑦ PROPOSED HOT-MIX ASPHALT SHOULDERS, 2 1/4" & VAR.
- ⑧ PROPOSED AGGREGATE SHOULDERS, TYPE B
- ⑨ PROPOSED COMBINATION CONCRETE CURB AND GUTTER, TYPE B-6.24
- ⑩ PROPOSED PORTLAND CEMENT CONCRETE SIDEWALK, 4"
- ⑪ PROPOSED STRIP REFLECTIVE CRACK CONTROL TREATMENT
- ⑫ PROPOSED CONCRETE CURB, TYPE B
- ⑬ PROPOSED PAVEMENT MARKING
- ⑭ PROPOSED SUB-BASE GRANULAR MATERIAL, TYPE A, 4" & VARIES
- ⑮ HOT-MIX ASPHALT SURFACE REMOVAL, 1 1/2" & VAR



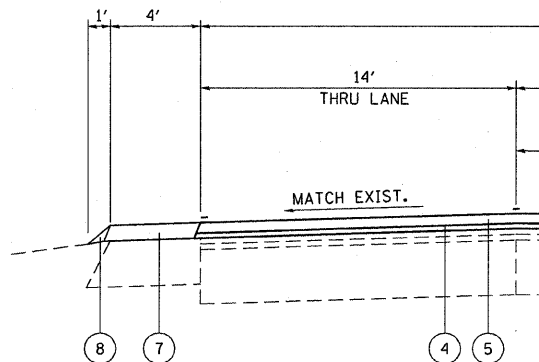
IL 71 & IL 351  
TYPICAL SECTION  
STA 791+02.95 TO STA 797+66.05



IL 71 & IL 351  
TYPICAL SECTION  
STA 797+66.05 TO STA 799+15.37

SHOULDER VARIES 8' TO 4'  
FROM STA 797+67.26 LT TO 798+02.82 LT  
SHOULDER REMOVAL  
AND NEW SHOULDER  
STA 797+66.05 TO 798+03.66 ONLY

SHOULDER VARIES 8' TO 4'  
FROM STA 797+67.26 RT TO 797+91.97 RT



ALTERNATE SHOULDER  
STA 798+03.66 TO AHEAD

REMOVAL ITEMS

REVISIONS	
NAME	DATE

ILLINOIS DEPARTMENT OF TRANSPORTATION  
**PROPOSED TYPICAL SECTIONS**  
FAP 619 (IL ROUTE 71/351)  
SECTION 70 RS-5 & I  
LASALLE COUNTY

DATE 6/03

DRAWN BY RCB  
CHECKED BY JWS