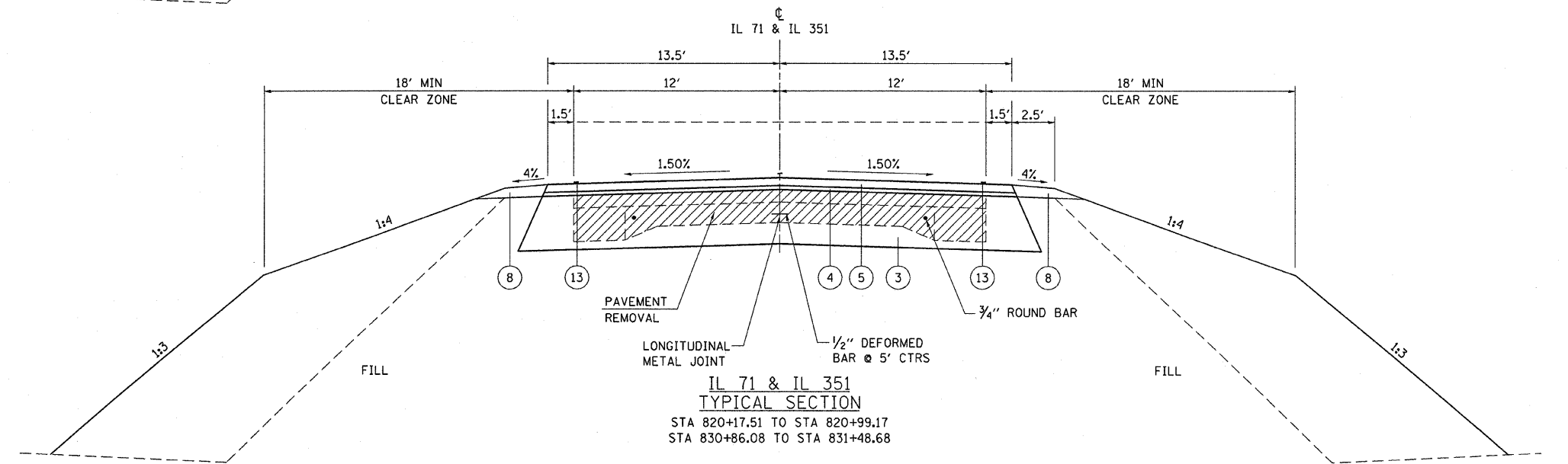
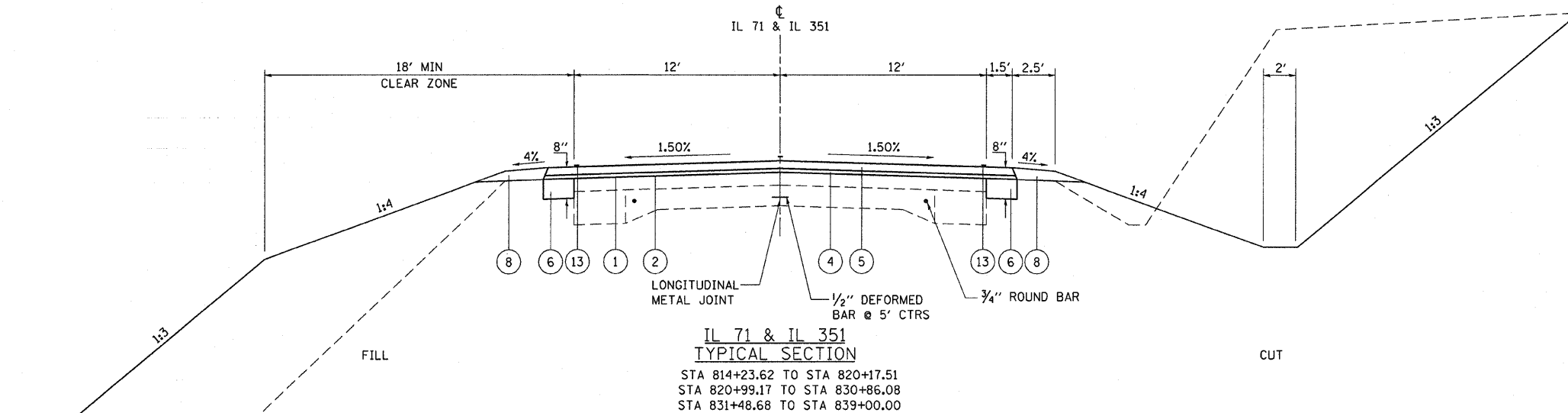
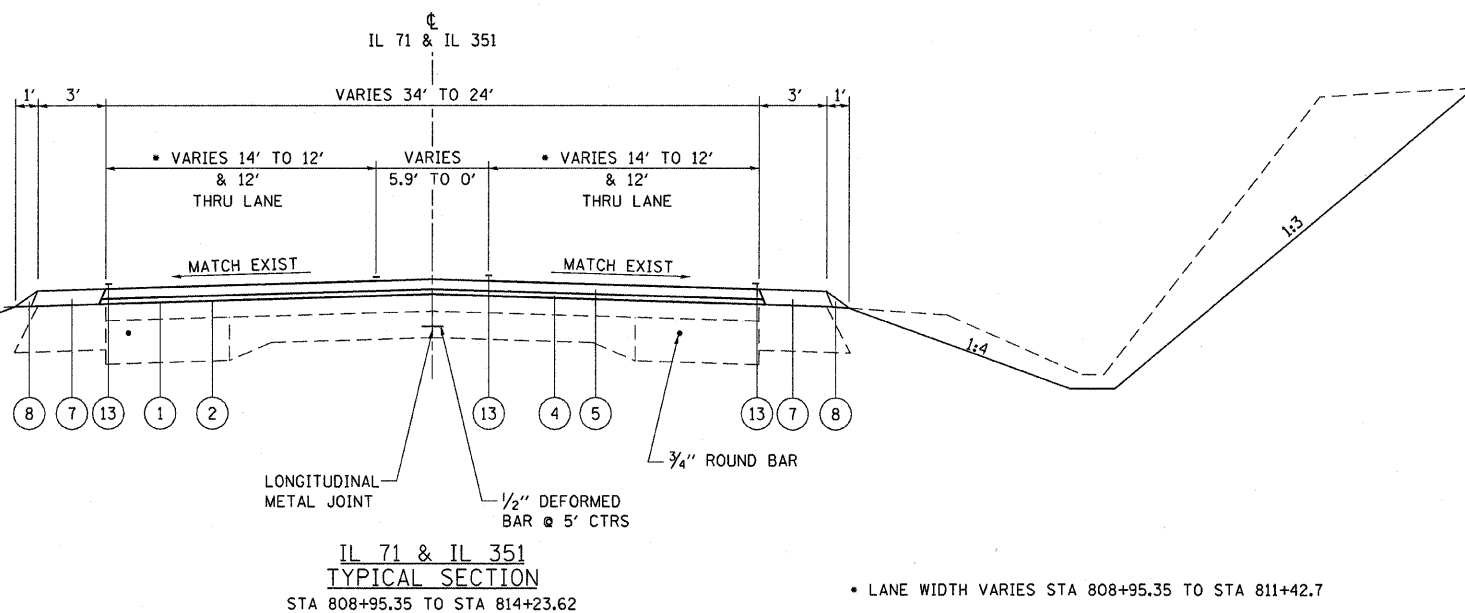


F.A.P. RTE.	SECTION	COUNTY	TOTAL SHEETS	SHEET NO.
619	70 RS-5 & I	LASALLE	214	13
STA.	TO STA.			
	ILLINOIS		FED. AID PROJECT	



PROPOSED LEGEND

- ① PROPOSED BITUMINOUS MATERIALS (PRIME COAT)
- ② PROPOSED AGGREGATE PRIME COAT
- ③ PROPOSED HOT-MIX ASPHALT BASE COURSE, 10 1/2"
- ④ PROPOSED LEVELING BINDER (MACHINE METHOD) N70, 3/4"
- ⑤ PROPOSED HOT-MIX ASPHALT SURFACE COURSE, MIX "D", N70, 1 1/2"
- ⑥ PROPOSED HOT-MIX ASPHALT SHOULDERS, 5 3/4"
- ⑦ PROPOSED HOT-MIX ASPHALT SHOULDERS, 2 1/4" & VAR.
- ⑧ PROPOSED AGGREGATE SHOULDERS, TYPE B
- ⑨ PROPOSED COMBINATION CONCRETE CURB AND GUTTER, TYPE B-6.24
- ⑩ PROPOSED PORTLAND CEMENT CONCRETE SIDEWALK, 4"
- ⑪ PROPOSED STRIP REFLECTIVE CRACK CONTROL TREATMENT
- ⑫ PROPOSED CONCRETE CURB, TYPE B
- ⑬ PROPOSED PAVEMENT MARKING
- ⑭ PROPOSED SUB-BASE GRANULAR MATERIAL, TYPE A, 4" & VARIES
- ⑮ HOT-MIX ASPHALT SURFACE REMOVAL, 1 1/2" & VAR



SEE STD 482011 (CROSS SECTION B)
FOR DETAILS OF PROPOSED SHOULDERS

REVISIONS	
NAME	DATE

ILLINOIS DEPARTMENT OF TRANSPORTATION

PROPOSED TYPICAL SECTIONS

FAP 619 (IL ROUTE 71/351)
SECTION 70 RS-5 & I
LASALLE COUNTY

DATE 6/03
DRAWN BY RCB
CHECKED BY JWS