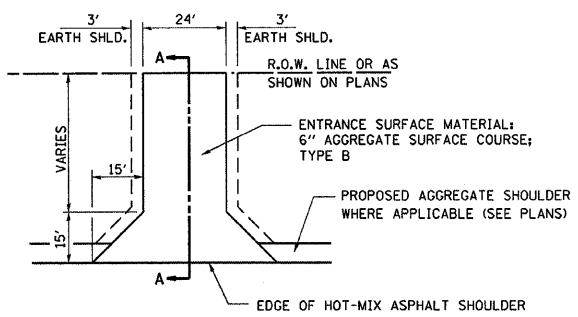
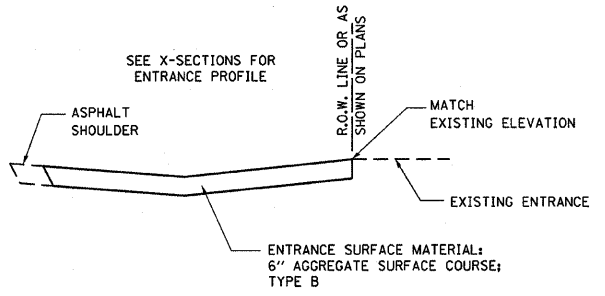


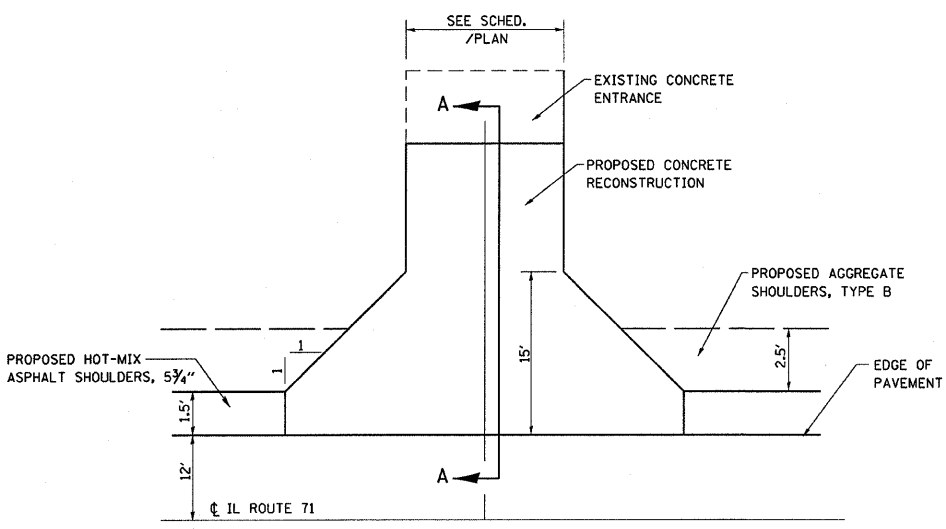
F.A.P. RTE.	SECTION	COUNTY	TOTAL SHEETS	SHEET NO.
619	70 RS-5 & I	LASALLE	214	99
STA. TO STA.		FED. ROAD DIST. NO. 3 ILLINOIS FED. AID PROJECT		



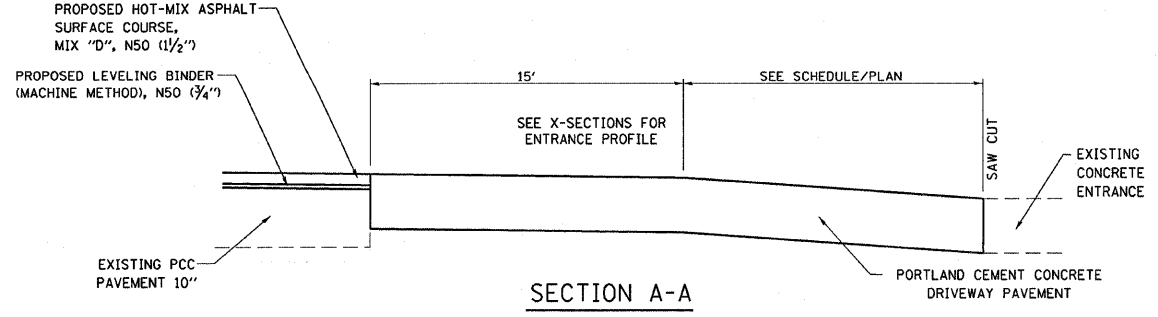
CASE III
FIELD ENTRANCE DETAIL



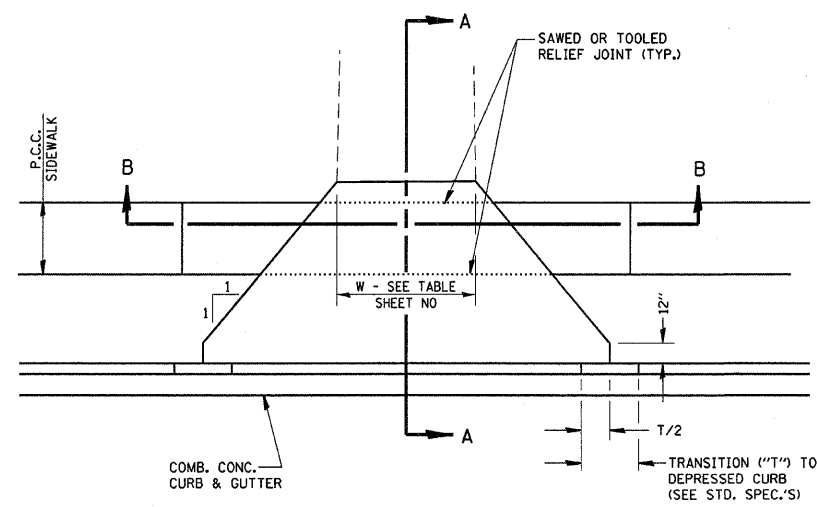
SECTION A-A



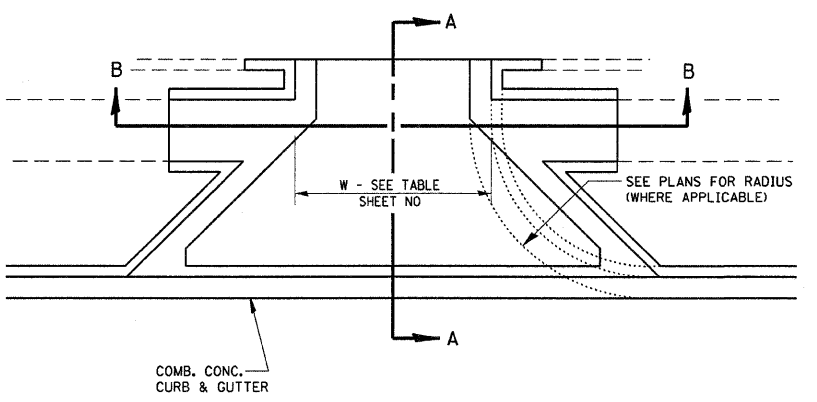
CASE IV
COMMERCIAL ENTRANCE DETAIL
(PCC ENTRANCE RECONSTRUCTION)



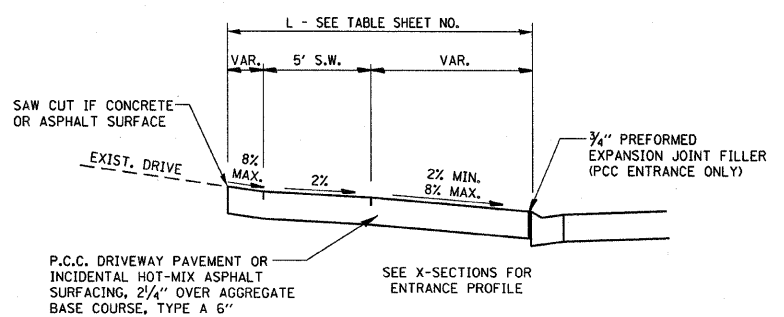
SECTION A-A



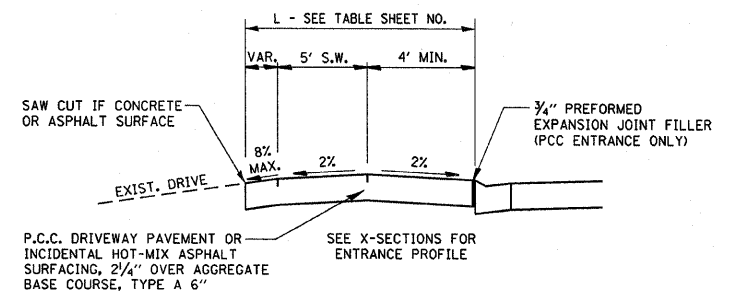
COMMERCIAL & PRIVATE ENTRANCE WITH SIDEWALK



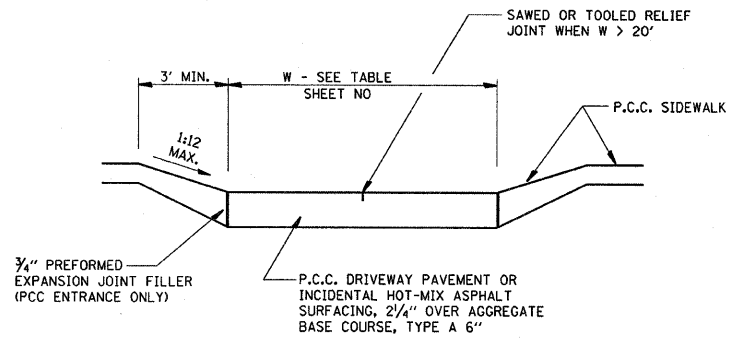
CASE V
COMMERCIAL ENTRANCE WITH SIDEWALK AND CURB & GUTTER



ELEVATED ENTRANCE
SECTION A-A



DEPRESSED ENTRANCE
SECTION A-A



SECTION B-B

NOTE
COST OF EXPANSION JOINTS AND RELIEF JOINTS SHALL BE INCLUDED IN THE COST OF THE P.C.C. DRIVEWAY PAVEMENT.

REVISIONS	
NAME	DATE

ILLINOIS DEPARTMENT OF TRANSPORTATION
ENTRANCE & SIDE ROAD DETAILS
FAP ROUTE 619 (IL ROUTE 71/351)
SECTION NO. 70 RS-5 & I
LASALLE COUNTY

SCALE: DATE DRAWN BY BANDY CHECKED BY STEUART