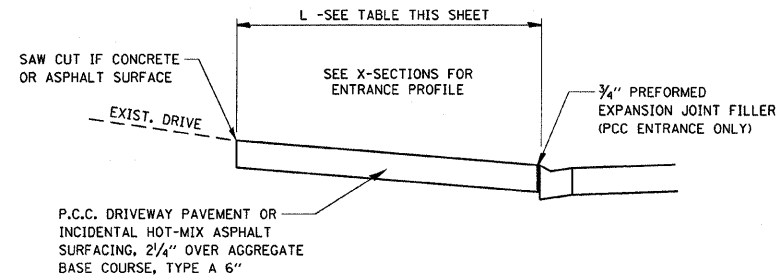
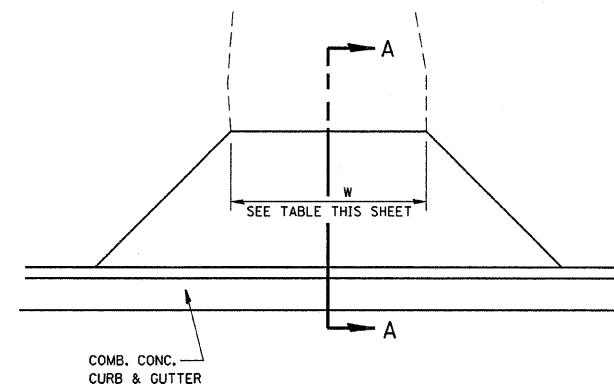


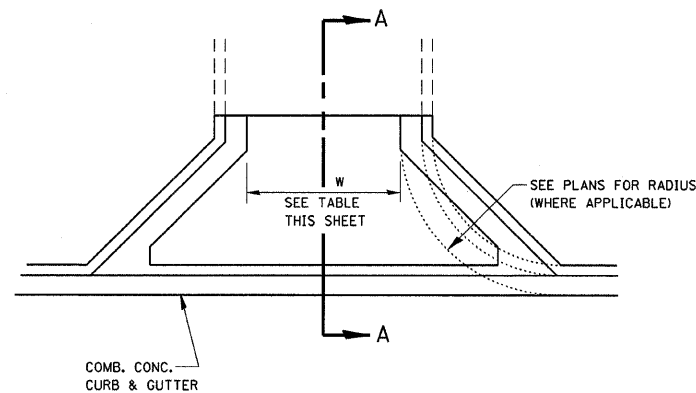
F.A.P. RTE.	SECTION	COUNTY	TOTAL SHEETS	SHEET NO.
619	TO RS-5 & I	LASALLE	214	100
STA.		TO STA.		
FED. ROAD DIST. NO. 3		ILLINOIS	FED. AID PROJECT	



SECTION A-A



COMMERCIAL ENTRANCE



CASE VI
COMMERCIAL ENTRANCE WITH CURB & GUTTER

ENTRANCE SCHEDULE		
IL 71 STATION	SIDE	WIDTH/LENGTH
900+40.64	LT	24'/13.2'
901+53.26	RT	12'/11.6'
901+66.36	LT	31.7'/13.1'
902+49.07	RT	12'/10'
902+60.96	LT	35'/10'
903+27.98	RT	12'/10'
903+88.36	LT	24'/10'
905+42.16	LT	24'/11'
905+74.17	RT	27.2'/13.5'
906+55.71	LT	35'/15'
906+97.33	RT	12'/15'
907+34.19	LT	24'/12.1'
907+44.02	RT	24'/15'
909+77.42	LT	30.7'/12.5'
910+12.33	RT	35'/15'
910+94.61	RT	20'/17.6'
911+18.92	LT	24'/15'
WALNUT STATION		
7+86.75	RT	12'/15'
8+27.87	LT	24'/13.5'
8+41.46	RT	24'/15'
11+01.84	LT	28'/17.3'
11+42.44	RT	35'/15'
CURB & GUTTER URBAN SECTION ONLY		

REVISIONS	
NAME	DATE

ILLINOIS DEPARTMENT OF TRANSPORTATION
ENTRANCE & SIDE ROAD DETAILS
 FAP ROUTE 619 (IL ROUTE 71/351)
 SECTION NO. 70 RS-5 & I
 LASALLE COUNTY
 SCALE: VERT. _____
 HORIZ. _____
 DATE _____
 DRAWN BY BANDY
 CHECKED BY STEUART