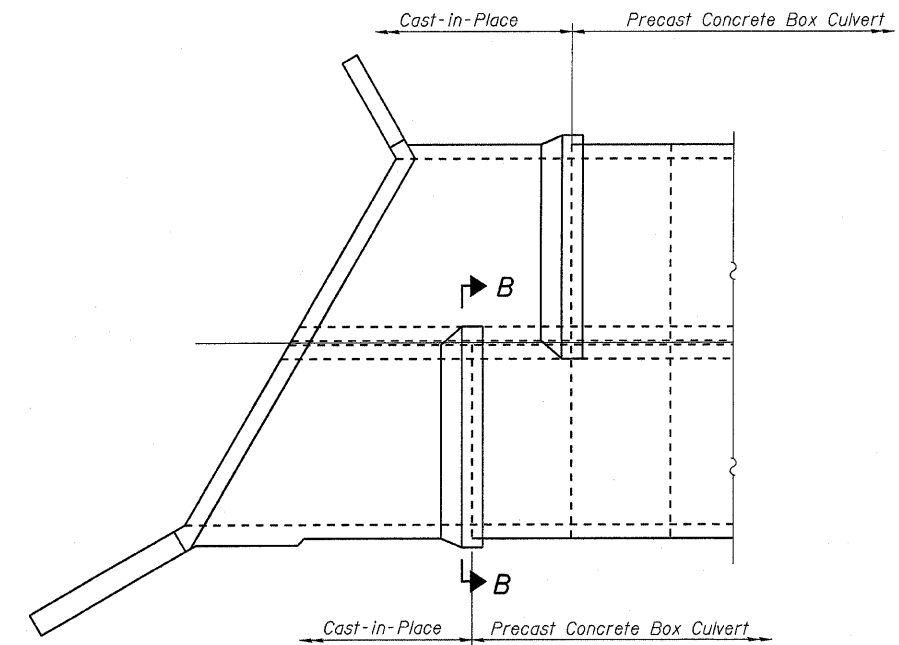
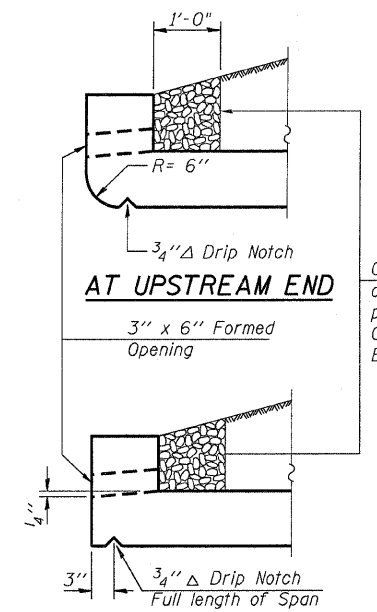


*70 RS-5 & I Contract No. 66442

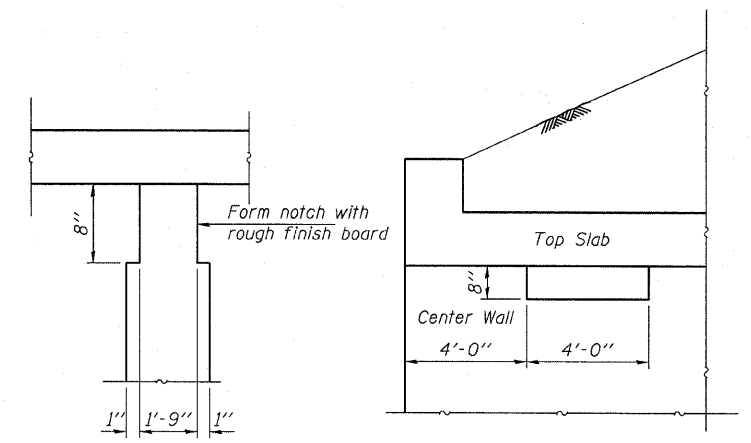


PLAN



DRAIN DETAIL

Coarse aggregate full length of both headwalls. To be placed by Grading Contractor. Cost included with Concrete Box Culverts.

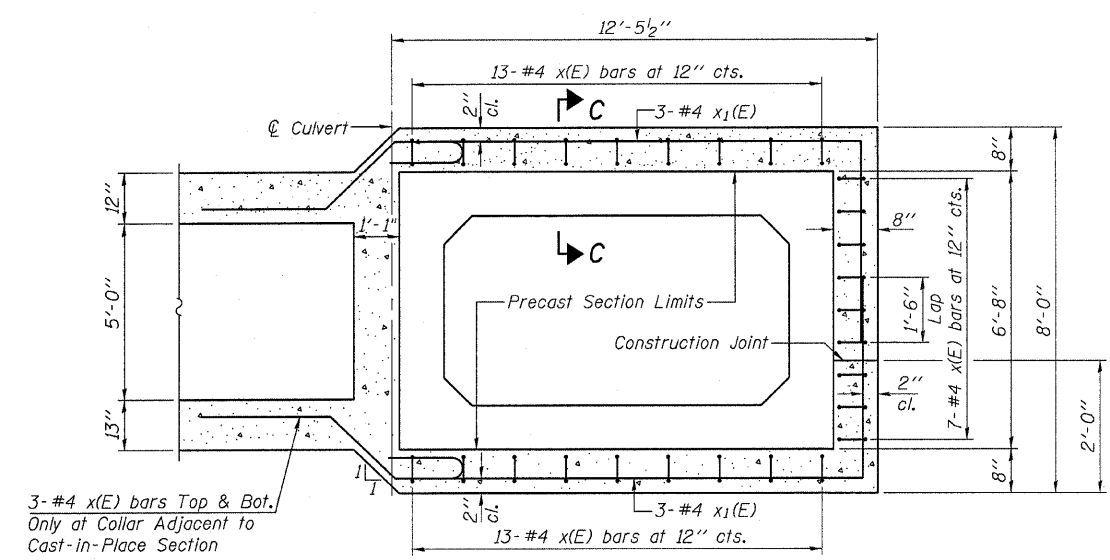


CENTER NESTING LEDGE

(Center wall, downstream end only, 4' long, 4' from the end.)

DOWNSTREAM END

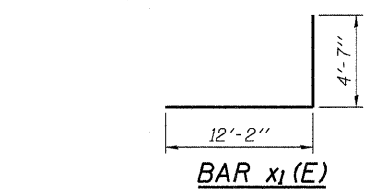
(Showing Phoebe Nesting Ledge)



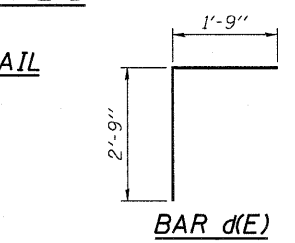
SECTION B-B

Thru Cast-in-Place Collar

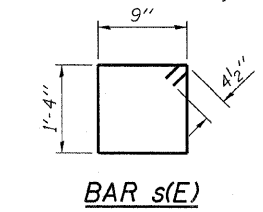
3-#4 x(E) bars Top & Bot. Only at Collar Adjacent to Cast-in-Place Section



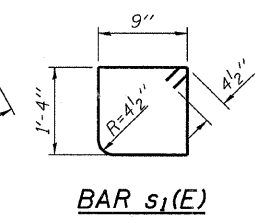
BAR x1(E)



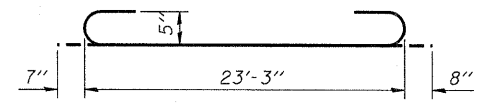
BAR d(E)



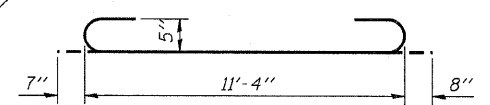
BAR s(E)



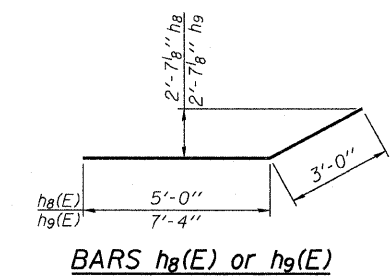
BAR s1(E)



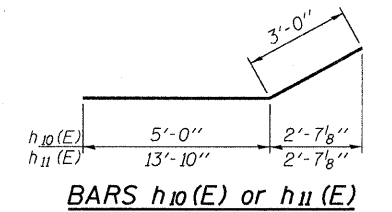
BAR d(E)



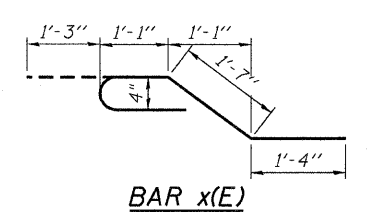
BAR a3(E)



BARS hg(E) or hg(E)



BARS h10(E) or h11(E)



BAR x(E)

SCHEDULE OF V1(E) AND V2(E) BARS IN CULVERT WALLS

EAST END OF CULVERT			
NORTH WALL	CENTER WALL	SOUTH WALL	
SOUTH FACE	NORTH FACE	SOUTH FACE	NORTH FACE
23-#4 v2(E) at 9" cts.	12-#5 v1(E) at 12" cts.	18-#5 v1(E) at 12" cts.	14-#5 v2(E) at 9" cts.

WEST END OF CULVERT			
NORTH WALL	CENTER WALL	SOUTH WALL	
SOUTH FACE	NORTH FACE	SOUTH FACE	NORTH FACE
14-#4 v2(E) at 9" cts.	18-#5 v1(E) at 12" cts.	12-#5 v1(E) at 12" cts.	23-#4 v2(E) at 9" cts.

ILLINOIS DEPARTMENT OF TRANSPORTATION

SHEET TITLE: **CULVERT DETAILS**

PROJECT: FAP ROUTE 619 (IL. ROUTE 71) SECTION 70 RS-5 & I LA SALLE COUNTY STATION 820+57.81 STRUCTURE NUMBER 050-2045

PROJECT NO. 05046
SCALE: 1/4" = 1'-0"
DATE: 04/27/07
DRAWN BY: TFG
CHECKED BY: BD/KPS/MCB
DRAWING NO.

COOMBE-BLOXDORF P.C.
Engineers/Land Surveyors
Springfield, Illinois

Design Firm License No. 184-002703

3 OF 4 SHTS

Aug. 23, 2010 - 02:04:30 PM
FILE NAME = c:\pwworkspace\bd\107181\sheet-3.dgn
PLOT SCALE = 0.0195 1" = 1'-0"
USER NAME = bcr\contino