



© Copyright Hanson Professional Services Inc.

GENERAL

1. THE EROSION CONTROL PLANS ARE INCLUDED TO DIRECT THE CONTRACTOR IN THE PLACEMENT OF THE TEMPORARY EROSION CONTROL SYSTEMS.
2. PLACEMENT AND MAINTENANCE OF TEMPORARY EROSION CONTROL SYSTEMS WILL BE UTILIZED THROUGHOUT THE CONSTRUCTION WORK ZONE AS SOON AS POSSIBLE TO STABILIZE EXPOSED SOILS AND PREVENT ON-SITE DAMAGE. THIS WORK MAY BE CONSTRUCTED OF PERIMETER EROSION CONTROL BARRIER, DITCH CHECKS, SEEDING, OR OTHER APPROPRIATE METHODS AND MATERIALS, SEPARATELY OR IN COMBINATION AS APPROVED BY THE RESIDENT ENGINEER.
3. EROSION CONTROL DEVICES SHALL BE IN PLACE AND APPROVED BY THE RESIDENT ENGINEER AS TO PROPER PLACEMENT AND INSTALLATION PRIOR TO BEGINNING OTHER WORK.
4. THE RESIDENT ENGINEER WILL DETERMINE WHEN TEMPORARY EROSION CONTROL SYSTEMS SHOWN ON THE PLAN MAY BE MOVED TO A DIFFERENT LOCATION OR DELETED.
5. THE WORK SHALL BE COMPLETED IN ACCORDANCE WITH SECTION 280-TEMPORARY EROSION CONTROL OF THE STANDARD SPECIFICATIONS FOR ROAD AND BRIDGE CONSTRUCTION.
6. THE CONTRACTOR SHALL PERFORM ALL WORK AS DIRECTED BY THE RESIDENT ENGINEER AND AS SHOWN IN STANDARD 280001. OR IN THESE PLANS.
7. TEMPORARY EROSION CONTROL SYSTEMS ARE NOTED ON THE EROSION CONTROL PLAN. THE PLAN MAY INCLUDE BUT NOT LIMITED TO THE FOLLOWING:
 - TEMPORARY DITCH CHECKS
 - PERIMETER EROSION BARRIER
 - INLET AND PIPE PROTECTION
 - TEMPORARY EROSION CONTROL SEEDING
 - EROSION CONTROL BLANKET
8. THE EROSION CONTROL PLAN INCLUDES WEEKLY INSPECTIONS TO BE COMPLETED BY THE CONTRACTOR AND RESIDENT ENGINEER.
9. IN THE EVENT OF HIGH WATER AND/OR HIGH FLOW RATES THAT DAMAGE THE PERIMETER EROSION AND SEDIMENT CONTROLS, THE CONTRACTOR SHALL BE RESPONSIBLE FOR REPAIRING EROSION CONTROLS AND FOR RETRIEVING ANY CONTROLS THAT HAVE BEEN WASHED DOWNSTREAM.
10. STAW BALES ARE NOT ALLOWED FOR ANY USE EXCEPT FOR CONCRETE TRUCK CLEAN UP.
11. SILT FENCING IS NOT ALLOWED FOR USE IN DITCH CHECKS.

PRIOR TO CONSTRUCTION

1. PRIOR TO PERFORMING CONSTRUCTION ACTIVITIES RESULTING IN LAND DISTURBANCE, THE CONTRACTOR SHALL INSTALL ITEMS (IF SPECIFIED ON THE PLANS OR AS DIRECTED BY THE RESIDENT ENGINEER) INTENDED TO PREVENT SEDIMENT FROM LEAVING THE CONSTRUCTION SITE. THE ITEMS MAY INCLUDE THE FOLLOWING:
 - TEMPORARY DITCH CHECKS
 - INLET AND PIPE PROTECTION
 - PERIMETER EROSION BARRIER

DURING CONSTRUCTION

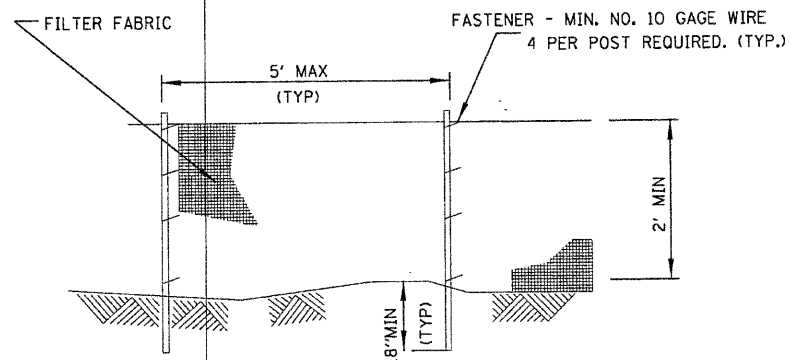
1. DURING CONSTRUCTION, THE CONTRACTOR SHALL:
 - CLEAN UP AND GRADE THE WORK AREA TO ELIMINATE CONCENTRATION OF RUNOFF.
 - INSTALL TEMPORARY DITCH CHECKS AT LOCATIONS SPECIFIED IN THE PLANS OR AS DIRECTED BY THE RESIDENT ENGINEER.
 - INSTALL INLET AND PIPE PROTECTION AT LOCATIONS SPECIFIED IN THE PLAN OR AS DIRECTED BY THE RESIDENT ENGINEER.
 - COVER THE OPEN ENDS OF PIPES IN TRENCHES AT THE CLOSE OF EACH WORKING DAY.
 - PERFORM TEMPORARY EROSION CONTROL SEEDING AS SPECIFIED IN ARTICLE 280.04(f) OF THE STANDARD SPECIFICATIONS FOR ROAD AND BRIDGE CONSTRUCTION OR AS DIRECTED BY THE RESIDENT ENGINEER. TEMPORARY EROSION CONTROL SEEDING, SHALL ONLY BE PLACED ON AREAS EXPECTED TO REMAIN UNDISTURBED FOR GREATER THAN 21 CONTINUOUS DAYS.
2. THE CONTRACTOR SHALL MAINTAIN OR REPLACE (IF SPECIFIED BY THE RESIDENT ENGINEER) SEDIMENT CONTROL ITEMS:
 - THE TEMPORARY EROSION CONTROL SYSTEMS INSTALLED BY THE CONTRACTOR SHALL BE PROPERLY MAINTAINED AS DIRECTED BY THE RESIDENT ENGINEER AT ALL TIMES DURING THE PROJECT. THIS WORK SHALL INCLUDE REPAIR OF THE VARIOUS SYSTEMS, AND REMOVAL OF TRAPPED SEDIMENT.
 - IF THE CONTRACTOR FAILS TO MAINTAIN THE TEMPORARY EROSION CONTROL SYSTEMS AS DIRECTED BY THE RESIDENT ENGINEER, THE RESIDENT ENGINEER MAY AT THE EXPIRATION OF A PERIOD OF 48 HOURS, AFTER HAVING GIVEN THE CONTRACTOR WRITTEN NOTICE, PROCEED TO MAINTAIN THE SYSTEMS AS DEEMED NECESSARY, AND THE COST THEREOF WILL BE DEDUCTED FROM ANY COMPENSATION DUE, OR WHICH MAY BECOME DUE TO THE CONTRACTOR UNDER THIS CONTRACT.

PRIOR TO LANDSCAPING/RESTORATION

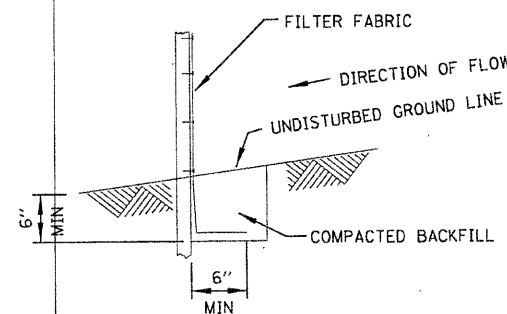
1. IMMEDIATELY PRIOR TO LANDSCAPING/RESTORATION WORK, THE CONTRACTOR SHALL:
 - REMOVE AND DISPOSE OF SILT RETAINED BY THE TEMPORARY DITCH CHECKS, AND REINSTALL THE TEMPORARY DITCH CHECKS AFTER CLEANING.
 - REMOVE AND DISPOSE OF SILT RETAINED BY THE PERIMETER EROSION BARRIER, REINSTALL THE PERIMETER EROSION BARRIER AFTER CLEANING, AND REMOVE AND REPLACE PLUGGED OR DAMAGED PERIMETER EROSION CONTROL BARRIER.

FOLLOWING LANDSCAPING/RESTORATION

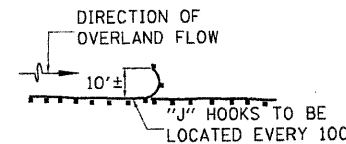
1. AFTER LANDSCAPING/RESTORATION WORK, THE CONTRACTOR SHALL MAINTAIN OR REPLACE (IF SPECIFIED BY THE RESIDENT ENGINEER) SEDIMENT CONTROL ITEMS.



ELEVATION



FABRIC ANCHOR DETAIL

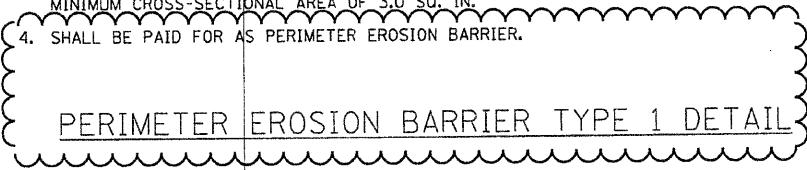


INSTALLATION OF "J" HOOKS FOR SEDIMENT BARRIERS NOT INSTALLED PARALLEL TO THE CONTOUR LINE

SEDIMENT FENCE J-HOOKS
NTS

NOTES:

1. TEMPORARY SEDIMENT FENCE SHALL BE INSTALLED PRIOR TO ANY GRADING WORK IN THE AREA TO BE PROTECTED. THEY SHALL BE MAINTAINED THROUGHOUT THE CONSTRUCTION PERIOD AND REMOVED IN CONJUNCTION WITH THE FINAL GRADING AND SITE STABILIZATION.
2. FILTER FABRIC SHALL MEET THE REQUIREMENTS OF MATERIAL SPECIFICATION 592 GEOTEXTILE TABLE 1 OR 2, CLASS I WITH EQUIVALENT OPENING SIZE OF AT LEAST 30 FOR NONWOVEN AND 50 FOR WOVEN.
3. FENCE POSTS SHALL BE EITHER STANDARD STEEL POST OR WOOD POST WITH A MINIMUM CROSS-SECTIONAL AREA OF 3.0 SQ. IN.
4. SHALL BE PAID FOR AS PERIMETER EROSION BARRIER.



Revised 1-6-11

VEGETATION ESTABLISHED

1. AFTER THE VEGETATION IS ESTABLISHED IN THE DISTURBED AREA, THE CONTRACTOR SHALL:
 - REMOVE THE REMAINING SEDIMENT CONTROL ITEMS AS DIRECTED BY THE RESIDENT ENGINEER.
 - RESTORE THE AREAS DISTURBED BY THE SEDIMENT CONTROL ITEMS BY PERMANENT SEEDING MEASURES.

INTENDED SEQUENCE

1. PLACE PERIMETER EROSION CONTROL BARRIER PRIOR TO COMMENCEMENT OF ANY WORK. SEE STD. 280001
2. CONSTRUCT EARTHWORK, INCLUDING DITCHES. (MAXIMUM 10 ACRES DISTURBED AT ONE TIME PRIOR TO SEEDING. SEE ART. 280).
3. PLACE AND MAINTAIN TEMPORARY AND PERMANENT EROSION CONTROLS AS WORK PROGRESSES, SEED EVERY 7 DAYS. SEE ART. 280.
4. FINAL SHAPE, GRADE, AND PAVE ROADWAY.
5. PLACE REMAINING PERMANENT EROSION CONTROLS.

FILE NAME = C-190-ERO-DET.DGN	USER NAME =	DESIGNED - CRC	REVISED -	STATE OF ILLINOIS DEPARTMENT OF TRANSPORTATION	NORTHERN ILLINOIS UNIVERSITY FAR WEST CAMPUS EXPANSION EROSION CONTROL PLAN	F.A.I. RTE.	SECTION	COUNTY	TOTAL SHEETS	SHEET NO.
MODEL NAME =	PLOT SCALE =	DRAWN - JDM	REVISED -			WINNEBAGO	148	76		
	PLOT DATE =	CHECKED - CRC	REVISED -			CONTRACT NO.				
		DATE - 11/04/10	REVISED -			FED. ROAD DIST. NO.	ILLINOIS FED. AID PROJECT			
SCALE: SHEET NO. OF SHEETS STA. TO STA.										