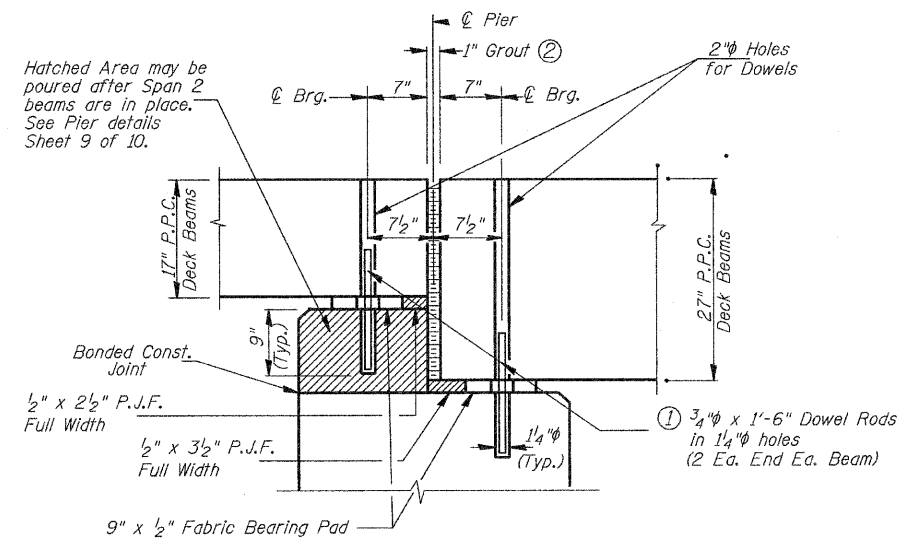
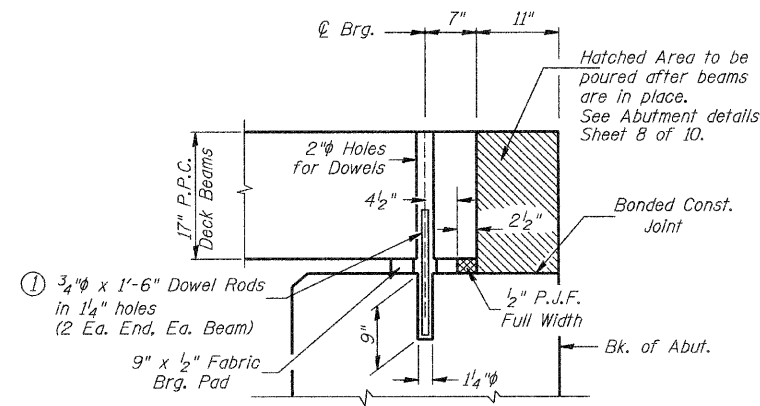


**RAIL POST SPACING**



**SECTION THRU PIERS**  
(At Right Angles)



**SECTION THRU ABUTMENTS**  
(At Right Angles)

- ① Dowel Rods to be grouted after beams are in place and allowed to cure (Min. 24 hr.) prior to grouting the shear keys.
- ② 1" Joint shall be packed with a very dry mix of 2:1 sand and P.C. mortar. 1" Dimension may vary plus or minus to accommodate tolerance in beam lengths.

**RAIL POST SPACING AND  
SUPERSTRUCTURE DETAILS  
PIKE COUNTY  
SECTION 09-1113-00-BR  
T.R. 359 OVER HONEY CREEK**

SHEET NO. 7  10 SHEETS	ROUTE NO. TR 359	SECTION 09-1113-00-BR	COUNTY PIKE	TOTAL SHEETS 28	SHEET NO. 13
	S.N. 075-3318		CONTRACT NO. 93540		
	FED. ROAD DIST. NO. 7	ILLINOIS	FED. AID PROJECT BROS-0149(041)		