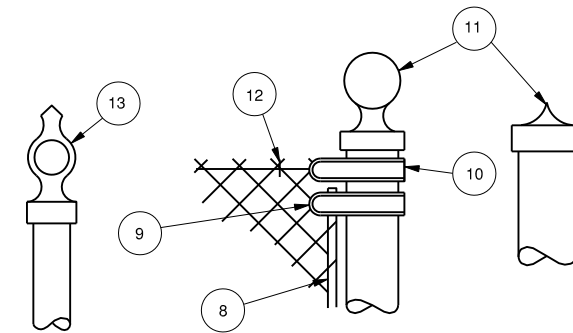
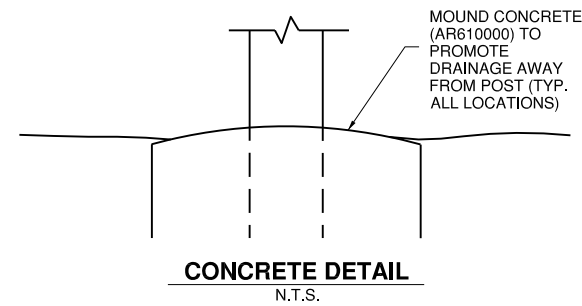
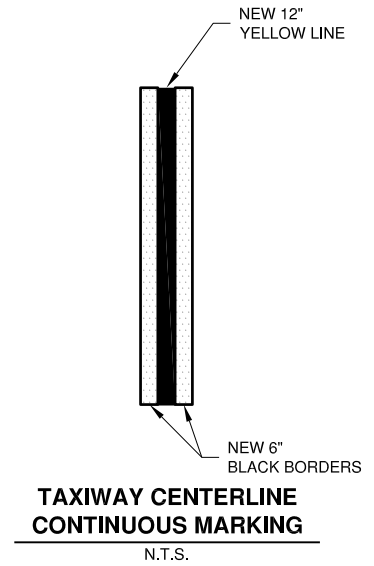
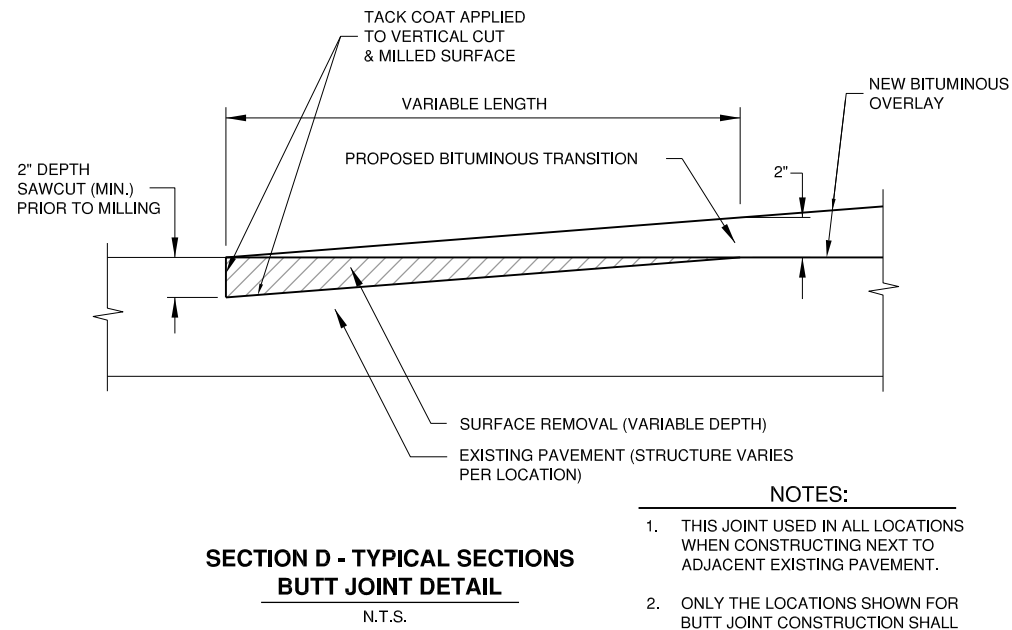
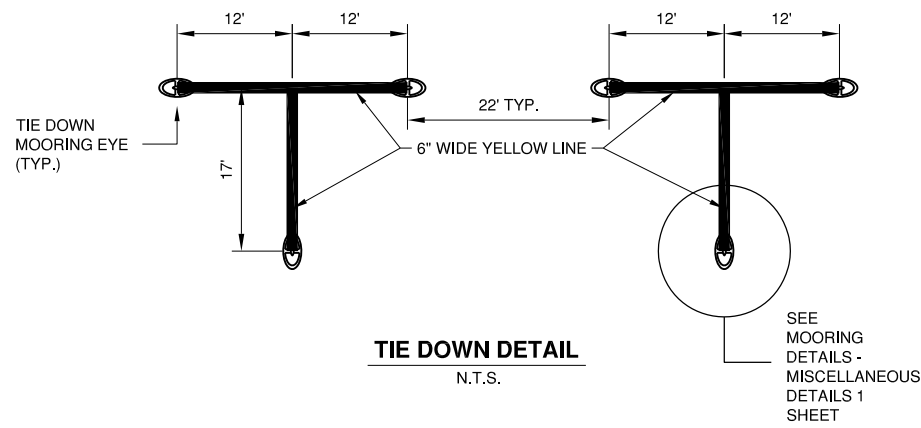


**TA006**

| REVISIONS |    |      |
|-----------|----|------|
| NUMBER    | BY | DATE |
|           |    |      |
|           |    |      |
|           |    |      |

0 1 2  
 THIS BAR IS EQUAL TO 2"  
 AT FULL SCALE (34X22).



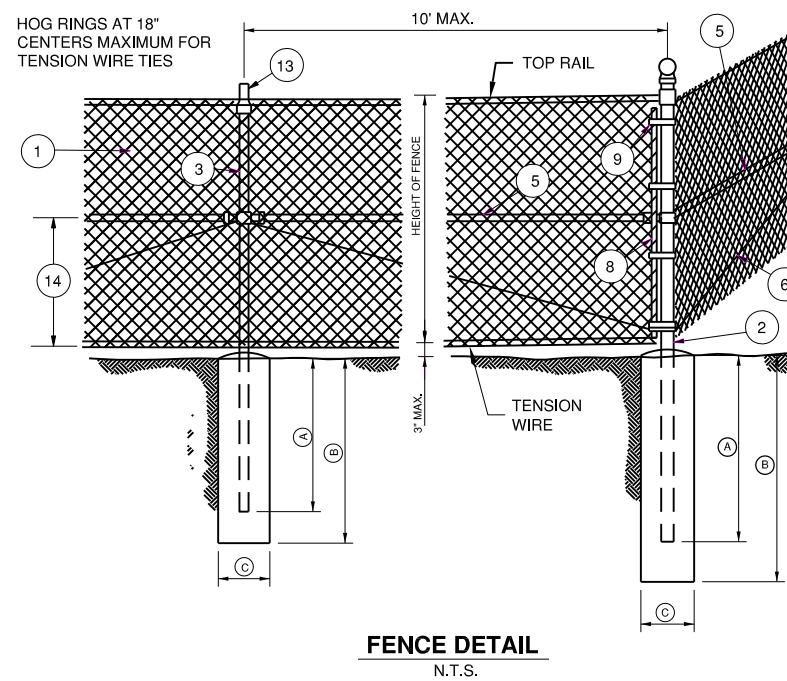
POST TOPS TO BE PRESSURE FITTED OR SCREWED. POST TOPS MAY BE ELIMINATED FOR ALL POSTS EXCEPT PIPE POSTS. IF POST TOPS ARE ELIMINATED, POST LENGTH

SHALL BE INCREASED 3".

**POST TOPS**  
N.T.S.

**LEGEND**

- |                                    |  |
|------------------------------------|--|
| 1. FABRIC                          | 9. STRETCHER BAR BAND  |
| 2. END, CORNER OR PULL POST        | 10. END OR CORNER CLAMP                                      |
| 3. LINE POST                       | 11. POST TOPS (OTHER THAN LINE POSTS)                        |
| 4. GATE POST                       | 12. FABRIC TIES  |
| 5. BRACE                           | 13. LINE POST TOPS   |
| 6. TRUSS ROD                       | 14. ONE-HALF FABRIC HEIGHT OR AS RECOMMENDED BY MANUFACTURER |
| 7. GATE FRAME                      |  |
| 8. STRETCHER BAR 1/4" X 3/4" PLATE |  |



| DESCRIPTION               | 4' FENCE HEIGHT |     |
|---------------------------|-----------------|-----|
| ② END, CORNER & PULL POST | A               | 30" |
|                           | B               | 36" |
|                           | C               | 10" |
| ③ LINE POST               | A               | 24" |
|                           | B               | 30" |
|                           | C               | 10" |
| ④ GATE POST               | A               | 30" |
|                           | B               | 36" |
|                           | C               | 10" |

**TAYLORVILLE MUNICIPAL AIRPORT**  
**TAYLORVILLE, ILLINOIS**  
**REHABILITATE NORTH PORTION OF AIRCRAFT PARKING APRON**  
**MISCELLANEOUS DETAILS 2**

© Copyright CMT, Inc.  
**CMT**  
 CRAWFORD, MURPHY & TILLY, INC.  
 CONSULTING ENGINEERS  
 License No. 184-000613

DESIGN BY: AJH  
 DRAWN BY: CMT  
 CHECKED BY: CBG  
 APPROVED BY: CET  
 DATE: NOVEMBER 14, 2014  
 JOB No: 13050-01  
 IL. PROJ. NO. TAZ-4342  
 SBG NO. 3-17-SBGP-XX  
 SHEET 12 OF 14 SHEETS