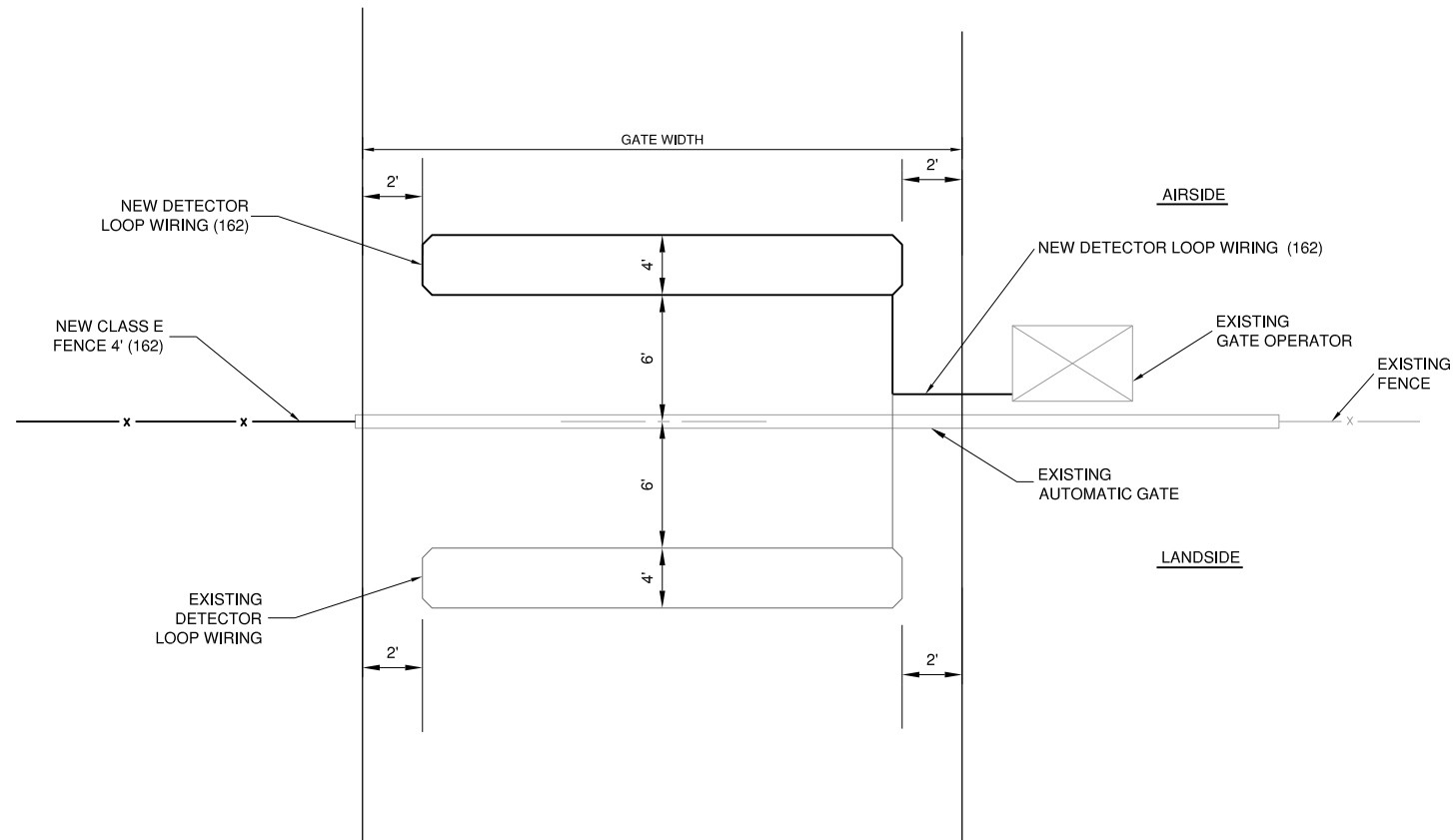
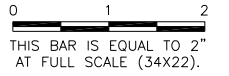


**TA006**

REVISIONS		
NUMBER	BY	DATE



**TYP. GATE PLAN**  
N.T.S.

**NOTES**

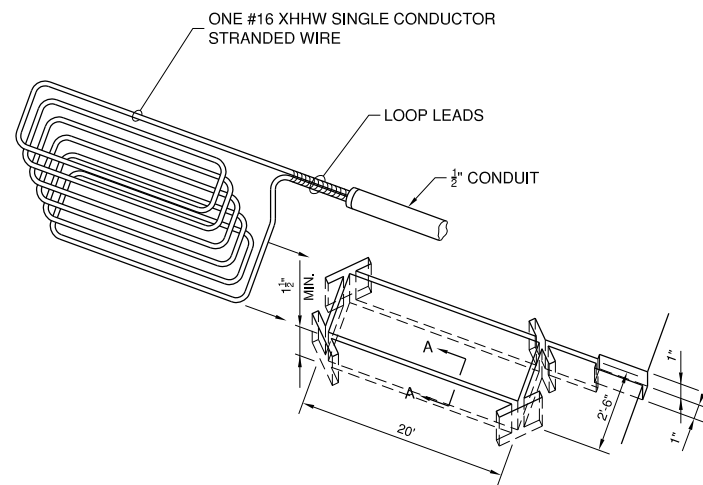
1. LOOP LEADS ARE LIMITED TO 100 FEET.
2. LOOP LEADS MUST HAVE FOUR (4) TWISTS PER FOOT.
3. LOOP AND LOOP LEADS MUST BE LOCATED, AT LEAST, 18" FROM ANY ELECTRICAL POWER SERVICE OR STEEL REINFORCEMENT.
4. LOOP LEADS MUST BE IN SEPARATE CONDUIT BETWEEN LOOP AND DETECTOR. THEY MUST NOT SHARE CONDUIT WITH OTHER WIRING OR LEADS FROM OTHER LOOPS.
5. WIRE SHALL BE #16 XHHW SINGLE CONDUCTOR STRANDED WIRE.
6. ALL WIRE SHALL BE CONTINUOUS WITHOUT SPLICING.

**CAUTION:**

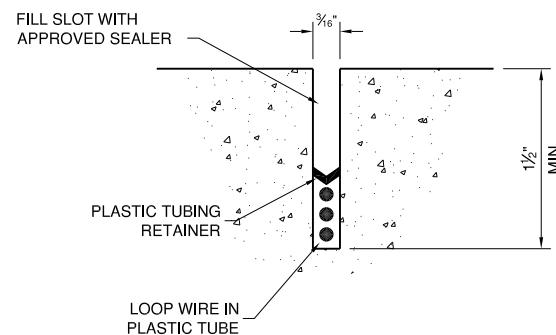
- DO NOT SPLICE WIRE.
- DO NOT FRACTURE WIRE INSULATION. LOOPS SHORTED TO GROUND WILL CAUSE DETECTOR MALFUNCTION. WHEN PLACING WIRE IN THE SLOT, DO NOT USE SCREWDRIVER OR OTHER SHARP TOOLS.

**TYPICAL LAYOUT FOR LOOP:**

- SAW SLOT 3/16" WIDE x 1-1/2" DEEP. MAKE RECTANGULAR SHAPE TO SPECIFIED LOOP DIMENSIONS PLUS SLOT FOR LEAD CONDUIT.
- GROUT WITH NO. 202 WEATHERBAN SEALANT (A PRODUCT OF 3M CO.) OR APPROVED EQUIVALENT ... (EXAMPLE: DE WITTS NO. 99 BLACK MASTIC CAULK).




**PERSPECTIVE VIEW OF DETECTOR LOOP SAW SLOT**  
N.T.S.



**SECTION A-A**  
N.T.S.

**DETECTOR LOOP DETAILS**  
N.T.S.

**TAYLORVILLE MUNICIPAL AIRPORT**  
**TAYLORVILLE, ILLINOIS**  
**REHABILITATE NORTH PORTION OF AIRCRAFT PARKING APRON**  
**MISCELLANEOUS DETAILS 4**

© Copyright CMT, Inc.  
  
**CMT**  
 CRAWFORD, MURPHY & TILLY, INC.  
 CONSULTING ENGINEERS  
 License No. 184-000613

DESIGN BY:	AJH
DRAWN BY:	CMT
CHECKED BY:	CBG
APPROVED BY:	CET
DATE:	NOVEMBER 14, 2014
JOB No:	13050-01
IL PROJ. NO. TAZ-4342 SBG NO. 3-17-SBGP-XX	
SHEET 14 OF 14 SHEETS	