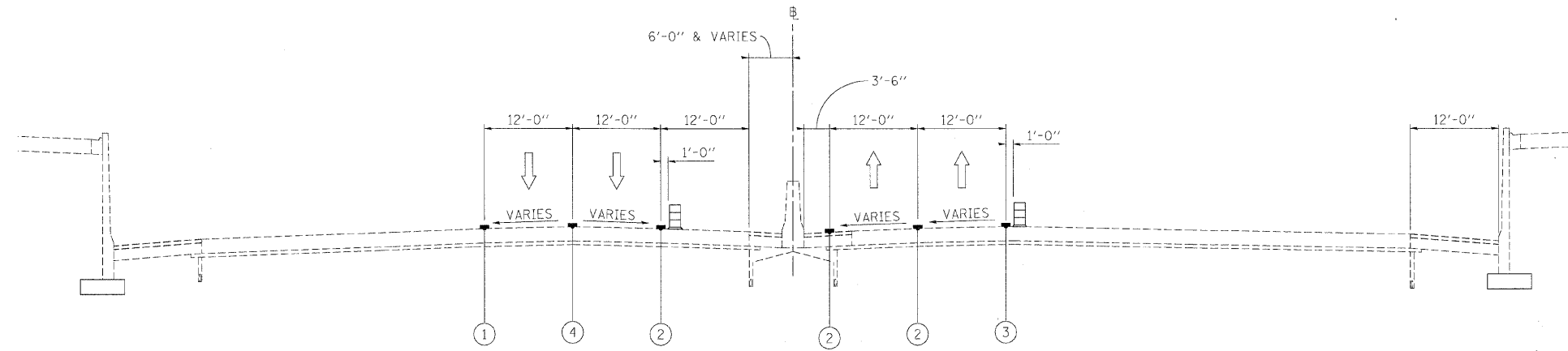


STA 312+40 TO STA 331+36 (WB) **I-290 MAINTENANCE OF TRAFFIC TYPICAL SECTION STAGE 2** STA 321+70 TO STA 331+15 (EB)



STA 331+36 TO STA 338+26 (WB) **I-290 MAINTENANCE OF TRAFFIC TYPICAL SECTION STAGE 2** STA 331+15 TO STA 346+10 (EB)

- LEGEND**
- ① EXISTING PAVEMENT MARKING
 - ② WET REFLECTIVE TEMPORARY TAPE, - TYPE III, 4 INCH (YELLOW)
 - ③ WET REFLECTIVE TEMPORARY TAPE, - TYPE III, 4 INCH (WHITE)
 - ④ WET REFLECTIVE TEMPORARY TAPE, - TYPE III, 5 INCH (WHITE)
 - ⑤ TEMPORARY PAVEMENT MARKING - LINE 6" (YELLOW) (ON BARRIER)
 - ⑥ TEMPORARY PAVEMENT MARKING - LINE 6" (WHITE) (ON BARRIER)
 - ⑦ WET REFLECTIVE TEMPORARY TAPE - TYPE III, 8 INCH (WHITE)
 - TEMPORARY CONCRETE BARRIER
 - TYPE II BARRIER, DRUM, OR VERTICAL BARRICADE WITH STEADY BURN MONODIRECTIONAL LIGHT
 - WORK ZONE

FILE NAME =	DESIGNED - AJP	REVISED -
...prpln_ABC_C4_m1_mot_ttp_st_2_24.dgn	DRAWN - TMB	REVISED -
USER NAME = tblank	CHECKED - JJT	REVISED -
PLOT DATE = 11/13/2009	DATE - 10/16/09	REVISED -

benesch

**STATE OF ILLINOIS
DEPARTMENT OF TRANSPORTATION**

**MAINTENANCE OF TRAFFIC
TYPICAL SECTIONS - STAGE 2**

SCALE: N.T.S. SHEET NO. 32 OF 69 SHEETS STA. TO STA.

F.A.T. RTE.	SECTION	COUNTY	TOTAL SHEETS	SHEET NO.
290	2009-0998R	COOK/DUPAGE	309	77
CONTRACT NO. 60157				
FED. ROAD DIST. NO.		ILLINOIS FED. AID PROJECT		