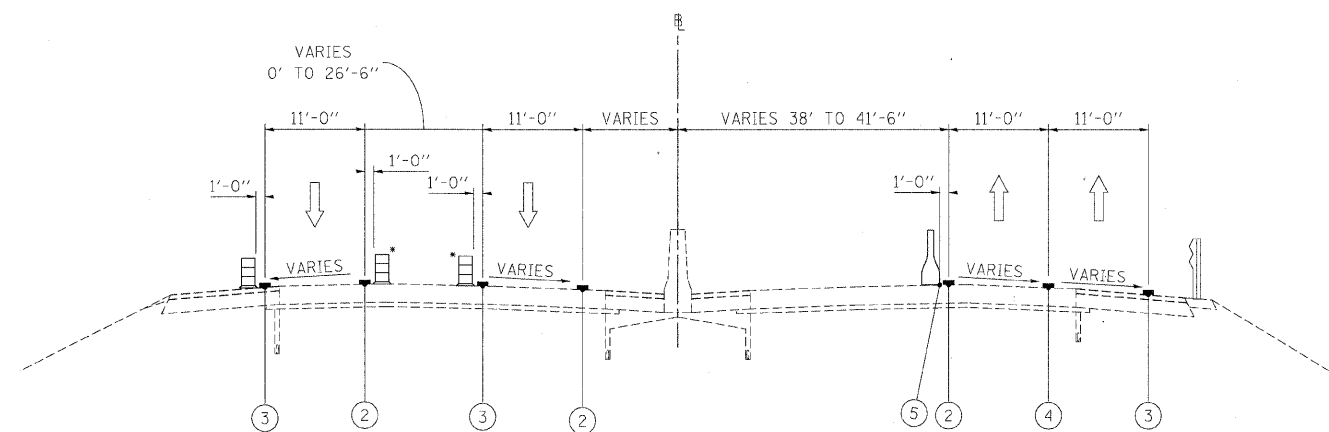


STA 446+32 TO STA 468+71 (WB) **I-290 MAINTENANCE OF TRAFFIC TYPICAL SECTION** STAGE 2 STA 445+75 TO STA 470+15 (EB)



STA 468+71 TO STA 476+03 (WB) **I-290 MAINTENANCE OF TRAFFIC TYPICAL SECTION** STAGE 2 STA 470+15 TO STA 475+39 (EB)

*TEMPORARY CONCRETE BARRIER STA 473+00 TO STA 476+03
BRIDGE OMISSION
STA 476+03 TO STA 480+16

BRIDGE OMISSION
STA 475+39 TO STA 479+52

- LEGEND**
- ① EXISTING PAVEMENT MARKING
 - ② WET REFLECTIVE TEMPORARY TAPE, - TYPE III, 4 INCH (YELLOW)
 - ③ WET REFLECTIVE TEMPORARY TAPE, - TYPE III, 4 INCH (WHITE)
 - ④ WET REFLECTIVE TEMPORARY TAPE, - TYPE III, 5 INCH (WHITE)
 - ⑤ TEMPORARY PAVEMENT MARKING - LINE 6" (YELLOW) (ON BARRIER)
 - ⑥ TEMPORARY PAVEMENT MARKING - LINE 6" (WHITE) (ON BARRIER)
 - ⑦ WET REFLECTIVE TEMPORARY TAPE - TYPE III, 8 INCH (WHITE)
 - TEMPORARY CONCRETE BARRIER
 - TYPE II BARRIER, DRUM, OR VERTICAL BARRICADE WITH STEADY BURN MONODIRECTIONAL LIGHT
 - WORK ZONE

FILE NAME =	DESIGNED - AJP	REVISED -
...prpIn_ABC_C4_m1_met_typ.st.2.10.dgn	DRAWN - TMB	REVISED -
USER NAME = tblank	CHECKED - JJT	REVISED -
PLOT DATE = 11/13/2009	DATE - 10/16/09	REVISED -

benesch

**STATE OF ILLINOIS
DEPARTMENT OF TRANSPORTATION**

MAINTENANCE OF TRAFFIC TYPICAL SECTIONS - STAGE 2

SCALE: N.T.S. SHEET NO. 38 OF 69 SHEETS STA. TO STA.

F.A.I. RTE.	SECTION	COUNTY	TOTAL SHEETS	SHEET NO.
290	2009-099BR	COOK/DUPAGE	309	83
CONTRACT NO. 60157			FED. ROAD DIST. NO. ILLINOIS FED. AID PROJECT	