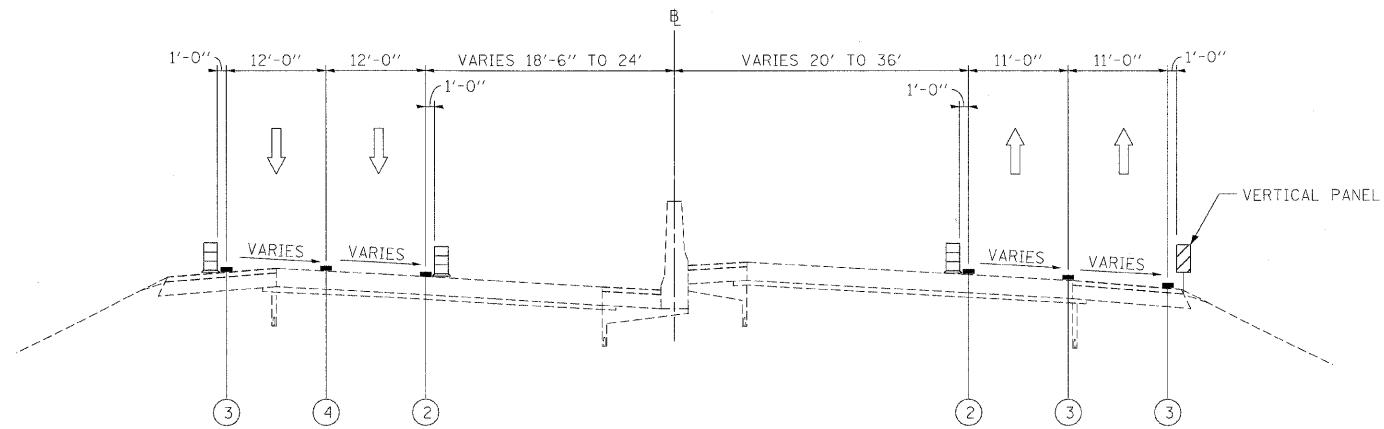


**STAGE 3
MAINTENANCE OF TRAFFIC
TYPICAL SECTION**




STA 331+10 TO STA 344+35 (WB) STA 331+10 TO STA 341+10 (EB)



**STAGE 3
MAINTENANCE OF TRAFFIC
TYPICAL SECTION**

STA 344+35 TO STA 346+10 (WB) STA 341+10 TO STA 346+70 (EB)

LEGEND

- ① EXISTING PAVEMENT MARKING
- ② WET REFLECTIVE TEMPORARY TAPE, - TYPE III, 4 INCH (YELLOW)
- ③ WET REFLECTIVE TEMPORARY TAPE, - TYPE III, 4 INCH (WHITE)
- ④ WET REFLECTIVE TEMPORARY TAPE, - TYPE III, 5 INCH (WHITE)
- ⑤ TEMPORARY PAVEMENT MARKING - LINE 6" (YELLOW) (ON BARRIER)
- ⑥ TEMPORARY PAVEMENT MARKING - LINE 6" (WHITE) (ON BARRIER)
- ⑦ WET REFLECTIVE TEMPORARY TAPE - TYPE III, 8 INCH (WHITE)
-  TEMPORARY CONCRETE BARRIER
-  TYPE II BARRIER, DRUM, OR VERTICAL BARRICADE WITH STEADY BURN MONODIRECTIONAL LIGHT
-  WORK ZONE

FILE NAME =	DESIGNED - AJP	REVISED -
...ppp1n-ABC_C4.nl_mot.typ.st.3.01.dgn	DRAWN - TMB	REVISED -
USER NAME = tblank	CHECKED - JJT	REVISED -
PLOT DATE = 11/13/2009	DATE - 10/16/09	REVISED -

benesch

**STATE OF ILLINOIS
DEPARTMENT OF TRANSPORTATION**

**MAINTENANCE OF TRAFFIC
TYPICAL SECTIONS - STAGE 3**

SCALE: N.T.S. SHEET NO. 56 OF 69 SHEETS STA. TO STA.

F.A.I. RTE.	SECTION	COUNTY	TOTAL SHEETS	SHEET NO.
290	2009-0999R	COOK/DUPAGE	309	101
CONTRACT NO. 60157				
FED. ROAD DIST. NO. ILLINOIS FED. AID PROJECT				