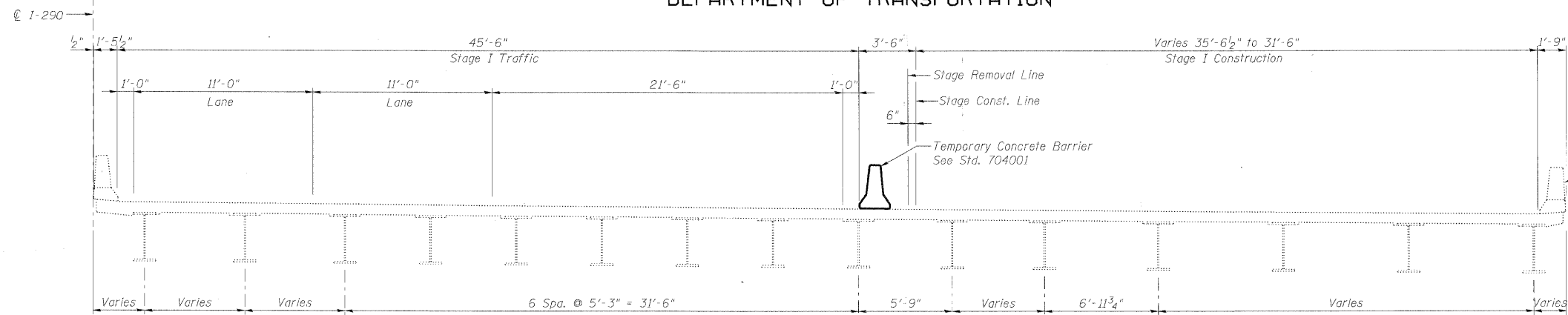
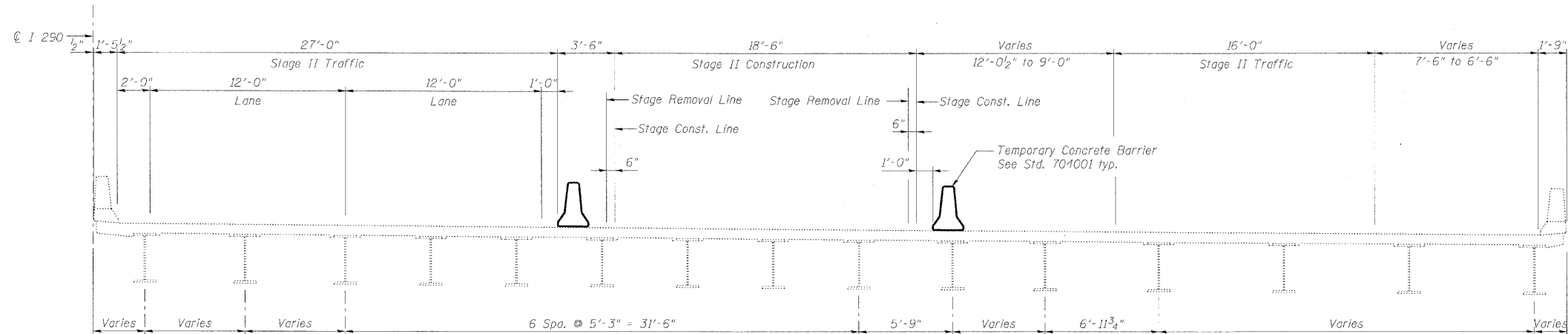


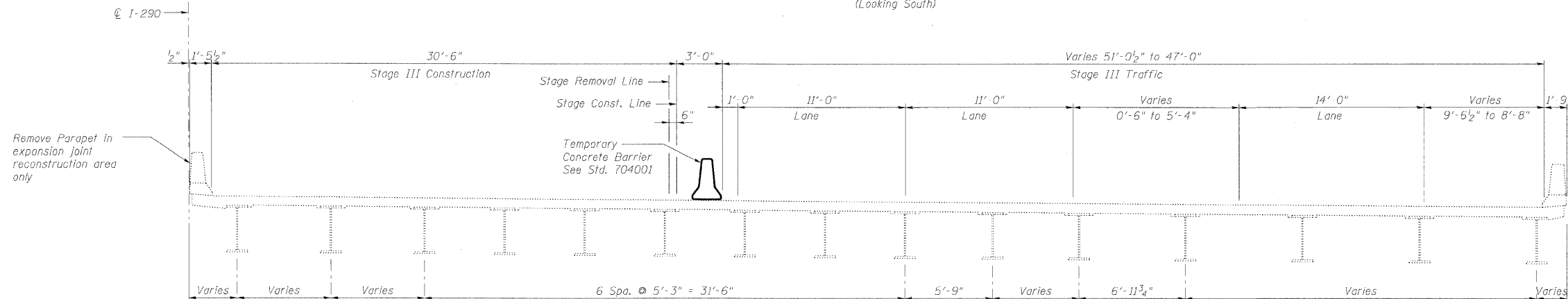
STATE OF ILLINOIS
DEPARTMENT OF TRANSPORTATION



STAGE I CROSS SECTION
(Looking South)



STAGE II CROSS SECTION
(Looking South)



STAGE III CROSS SECTION
(Looking South)

Remove Parapet in expansion joint reconstruction area only

Remove Parapet in expansion joint reconstruction area only

Note:
For quantity of Temporary Concrete Barrier, see roadway plans.

DESIGNED -	AAY
CHECKED -	MAC
DRAWN -	TMB/VH
CHECKED -	AAY

benesch

alfred benesch & company
Engineers • Surveyors • Planners
205 North Michigan Avenue, Suite 2400
Chicago, Illinois 60601
312-565-0450 Job No. 10050

SHEET NO. 3 10 SHEETS	F.A.I. RTE.	SECTION	COUNTY	TOTAL SHEETS	SHEET NO.
	290	2009-099 BR	COOK/DUPAGE	309	212
FED. ROAD DIST. NO.			ILLINOIS FED. AID PROJECT		
CONTRACT NO. 60157					

STAGE CONSTRUCTION DETAILS
STRUCTURE NO. 022-0007