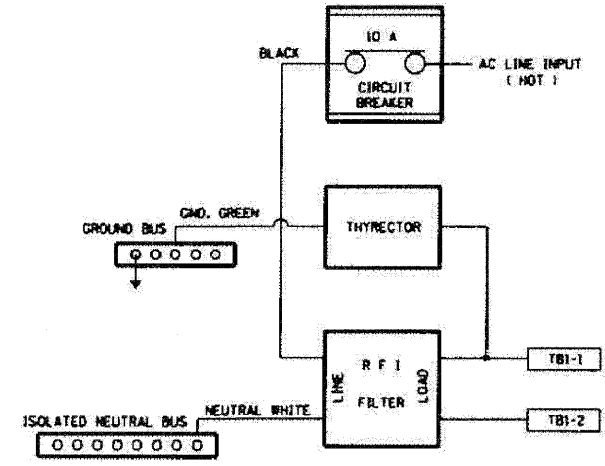
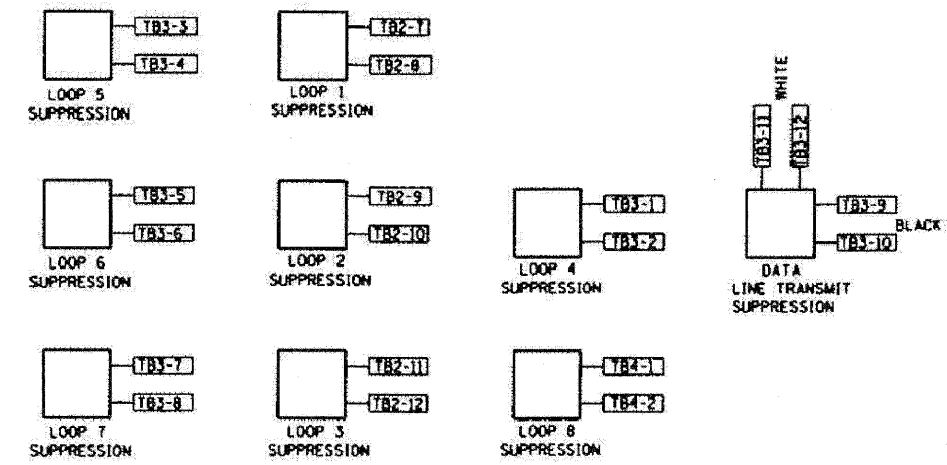
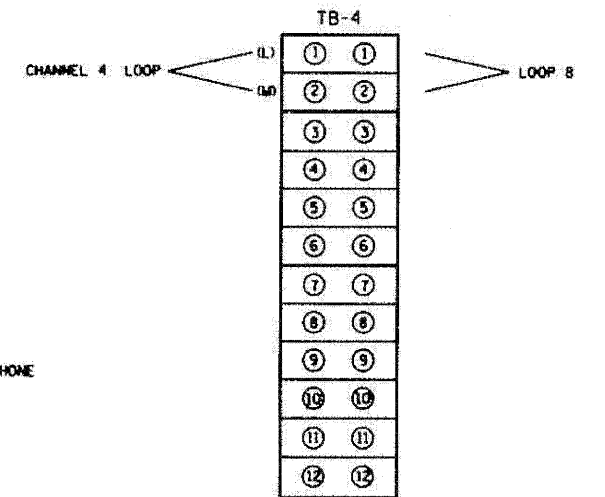
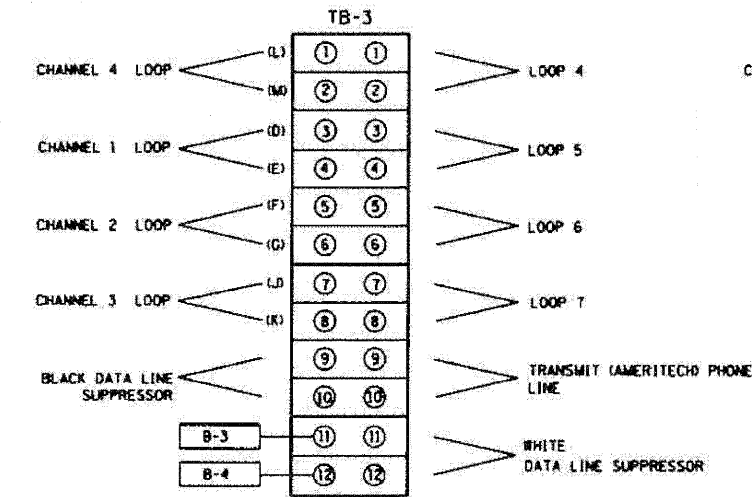
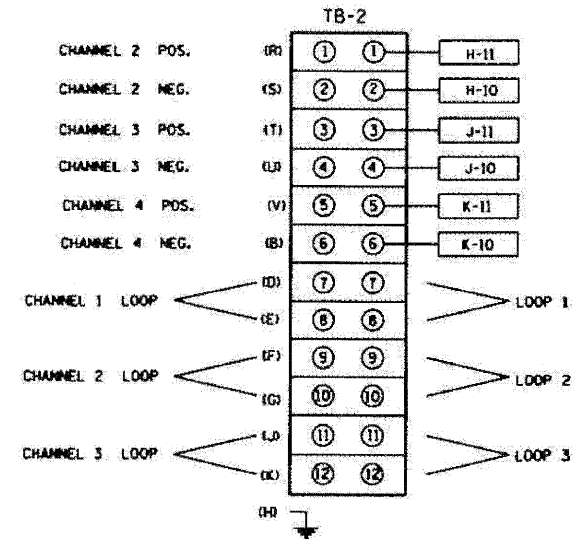
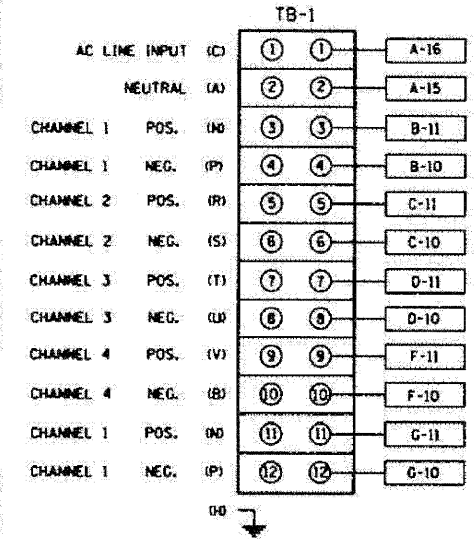
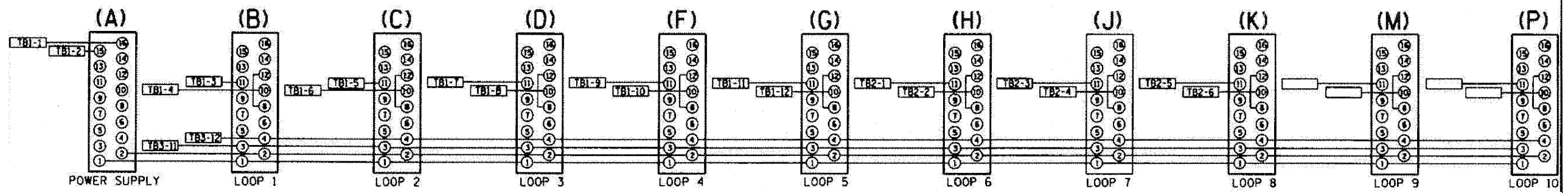


F.A.I. RTE.	SECTION	COUNTY	TOTAL SHEETS	SHEET NO.
STA.	TO STA.			
FED. ROAD DIST. NO.	ILLINOIS FED. AID PROJECT			

BACK VIEW OF TONE RACK



REVISIONS		ILLINOIS DEPARTMENT OF TRANSPORTATION TRAFFIC SYSTEMS CENTER TYPE 3 CABINET WIRING DIAGRAM SCALE: VERT. NONE DATE 10/17/05 DRAWN BY G.M. CHECKED BY R.L.
NO.	DATE	

TRAFFIC SYSTEMS CENTER (TY-1TSC-400#13)

FILE NAME	DESIGNED - GHT	REVISED -
...YppIn_ABC.C4_TS_DET_06.dgn	DRAWN - TMB	REVISED -
USER NAME - jmajewski	CHECKED - MPM	REVISED -
PLOT DATE - 11/13/2009	DATE - 10/16/09	REVISED -

benesch

STATE OF ILLINOIS
DEPARTMENT OF TRANSPORTATION

TRAFFIC SYSTEMS CENTER
DETAIL SHEETS

SCALE: N.T.S.	SHEET NO. 6 OF 14 SHEETS	STA.	TO STA.	F.A.I. RTE. 290	SECTION 2009-099BR	COUNTY COOK/DUPAGE	TOTAL SHEETS 309	SHEET NO. 285
				CONTRACT NO. 60157				